



QUALITY FOOD SERVICE EQUIPMENT



**UPDATED For
Spring 2023**

**FULLY UPDATED TO
INCLUDE OUR NEWEST
PRODUCT LINES AS WELL
AS UPGRADED EXISTING
MODELS!!!**

2023 PRODUCT GUIDE

(609) 642 - 8389 \ WWW.NBREQUIPMENT.COM \ 10 ABEEL ROAD, CRANBURY , NJ 08512

TABLE OF CONTENTS

Dish Tables

Pages 4-15



Clean
Soiled
Undercounter
Corner with 3 Bowls
Straight with 3 Bowls

Dish Room Add-Ons

Pages 16-20



Mop Sinks

Pages 21-24

Pre-Rinse Baskets
Sorting Shelves
Mobile Soak Sinks **New!**
Free-Standing Service Sinks **New!**

Troughs

Page 25

Floor Mount
Flush Floor Mount **New!**
Mop Sink Cabinets

Sinks - NSF

Pages 26-64



Sink Bowls - NSF

Pages 65-70

Floor
Beverage

One Bowl
Two Bowls
Three Bowls
Four Bowls
Corner
Hand **New!**
Mobile
Multipurpose



Sinks - **NOT NSF**

Pages 71-74

Drop-In
Welded

Sink Accessories

Pages 75-78

One Bowl
Two Bowls
Three Bowls



Faucets **New!**
Bowl Covers **New!**
Removable Splash **New!**
Waste Drains **New!**



Worktables

Pages 79-108



Flat Top
1-1/2" Turn Up
5" Backsplash
Cross-Braced
Height Adjustable
with Sink Bowls
Enclosed Base
Filler Tables

Stands

Pages 109-113

Cabinets

Pages 114-118

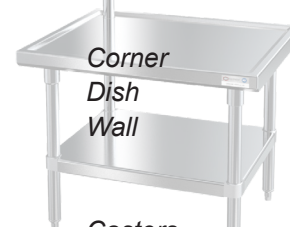
Table Add-Ons

Pages 119-122

Shelving & Racks

Pages 123-132

Equipment
Machine
Mixer **New!**



Corner
Dish
Wall

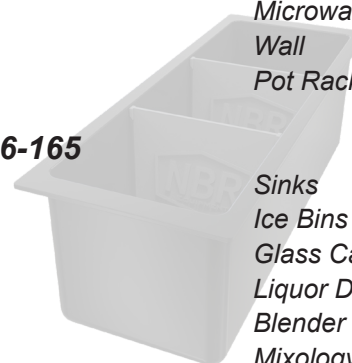
Casters
Cross-Bracing
Drawers
Parts

Underbar

Pages 136-165



Refrigeration Mounted
Table Mounted
Microwave
Wall
Pot Racks



Sinks
Ice Bins **New!**
Glass Cabinets
Liquor Display **New!**
Blender Stations
Mixology Units
Drainboards
Bottle Wells **New!**
Speed Rails

Terms & Conditions

Page 164

New! Model Number Glossary

Pages 165-168

In NBR's pursuit to provide our customers with the latest in product innovations, the information contained within may not be totally current. Neither can NBR be responsible for any printing or typographical errors. If you are in doubt, please feel free to check out our website or call customer service at (609) 642-8389 ext. 109.

WELCOME TO NBR!

Headquartered in Central New Jersey, NBR Equipment is your trusted and reliable source for quality commercial foodservice equipment.

WHY CHOOSE US?

NBR Equipment is a booming foodservice equipment distribution company.

Our employees form personal relationships with our sales representatives and customers, making the ordering process efficient and easy. We work directly with our manufacturer to provide custom designs, a vast product base, and various options to fit any of your business' needs. The products we offer are stainless steel, NSF-certified, unique in design, and multipurpose in functionality.

We specialize in stainless steel restaurant and bar equipment. Our product base is expanding all the time, adapting to the ever-changing market and customers' needs, so look out for NEW stickers at the top of new product pages.

At NBR, we take pride in forming close relationships with our vendors and customers, offering competitive prices, and providing top quality products with quick delivery.

Our warehouse stays ASAP (As Stocked As Possible) to keep you equipped and your projects moving forward smoothly. If you have any questions regarding stock status of an item you're looking for, give us a call!

QUALITY FOODSERVICE EQUIPMENT

QUESTIONS?

Customer Service Contacts:

(609) 642 8389 ext. 109

csr@nbreqquipment.com

Follow us on **LinkedIn, Facebook, YouTube, and Instagram** to stay up to date on our latest products and all things foodservice!

Just search for ***NBR Equipment***

(609) 642 - 8389 | SALES@NBREQUIPMENT.COM | WWW.NBREQUIPMENT.COM

NBR EQUIPMENT, 10 ABEEL ROAD, CRANBURY, NJ 08512

PREMIUM CLEAN DISH TABLE (RIGHT TO LEFT OPERATION)

DISH TABLES - CLEAN

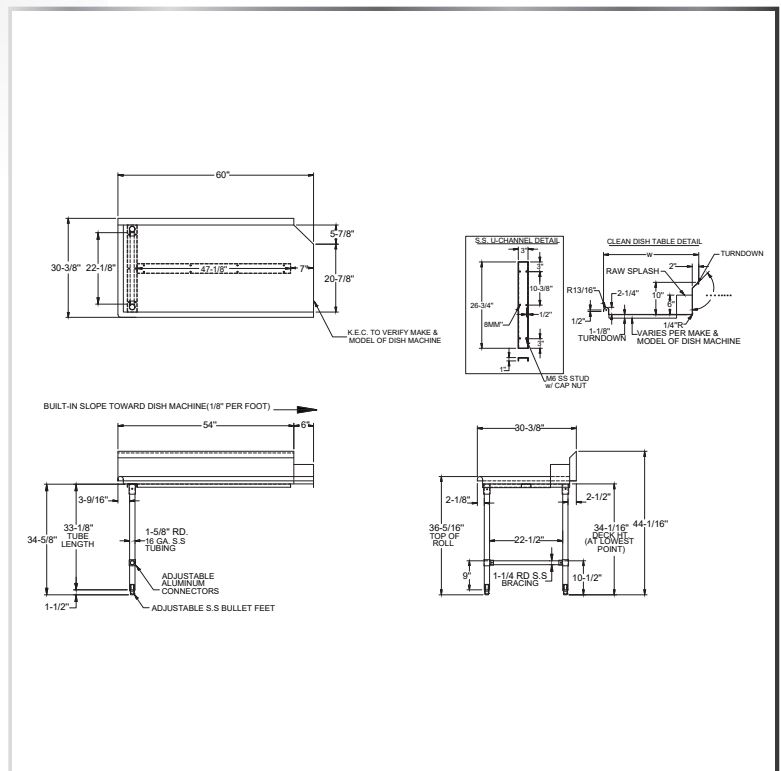


MATERIALS

- 16 Gauge 300 Series Stainless Steel Top
- Stainless Steel Legs and Bullet Feet

FEATURES

- Straight Design
- 10" Backsplash with 2" Return to Wall At 45°
- Rolled Front and Side Edges
- Adjustable Bracing and Bullet Feet



MODEL NUMBER	LENGTH	WIDTH
CDT-24L-16	24"	30- ³ / ₈ "
CDT-26L-16	26"	30- ³ / ₈ "
CDT-36L-16	36"	30- ³ / ₈ "
CDT-48L-16	48"	30- ³ / ₈ "
CDT-60L-16	60"	30- ³ / ₈ "
CDT-72L-16	72"	30- ³ / ₈ "
CDT-96L-16	96"	30- ³ / ₈ "

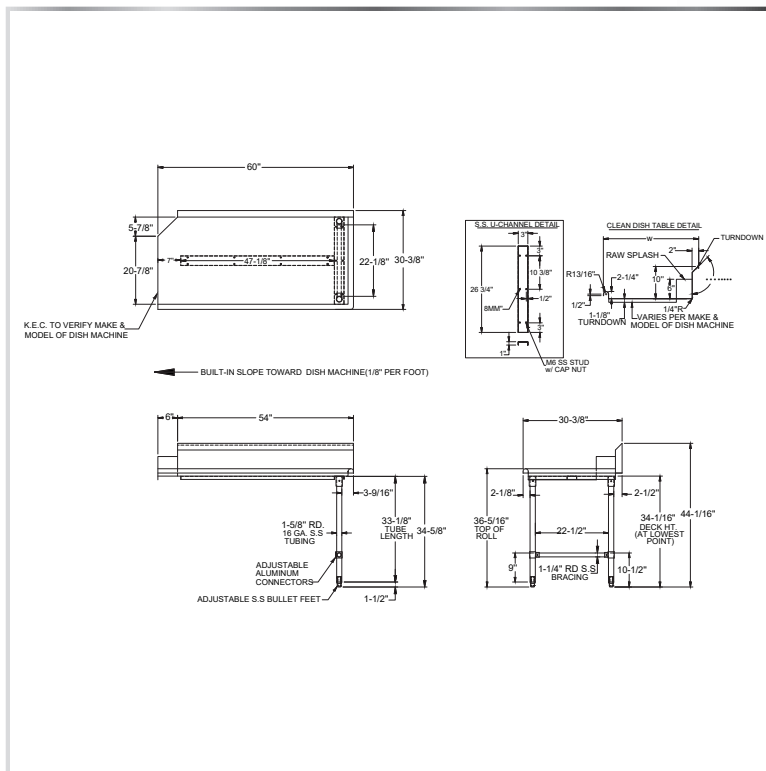
PREMIUM CLEAN DISH TABLE (LEFT TO RIGHT OPERATION)



DISH TABLES - CLEAN

MATERIALS

- 16 Gauge 300 Series Stainless Steel Top
- Stainless Steel Legs and Bullet Feet



FEATURES

- Straight Design
- 10" Backsplash with 2" Return to Wall At 45°
- Rolled Front and Side Edges
- Adjustable Bracing and Bullet Feet

MODEL NUMBER	LENGTH	WIDTH
CDT-24R-16	24"	30-3/8"
CDT-26R-16	26"	30-3/8"
CDT-36R-16	36"	30-3/8"
CDT-48R-16	48"	30-3/8"
CDT-60R-16	60"	30-3/8"
CDT-72R-16	72"	30-3/8"
CDT-96R-16	96"	30-3/8"

ECONOMY CLEAN DISH TABLE (RIGHT TO LEFT OPERATION)

DISH TABLES - CLEAN

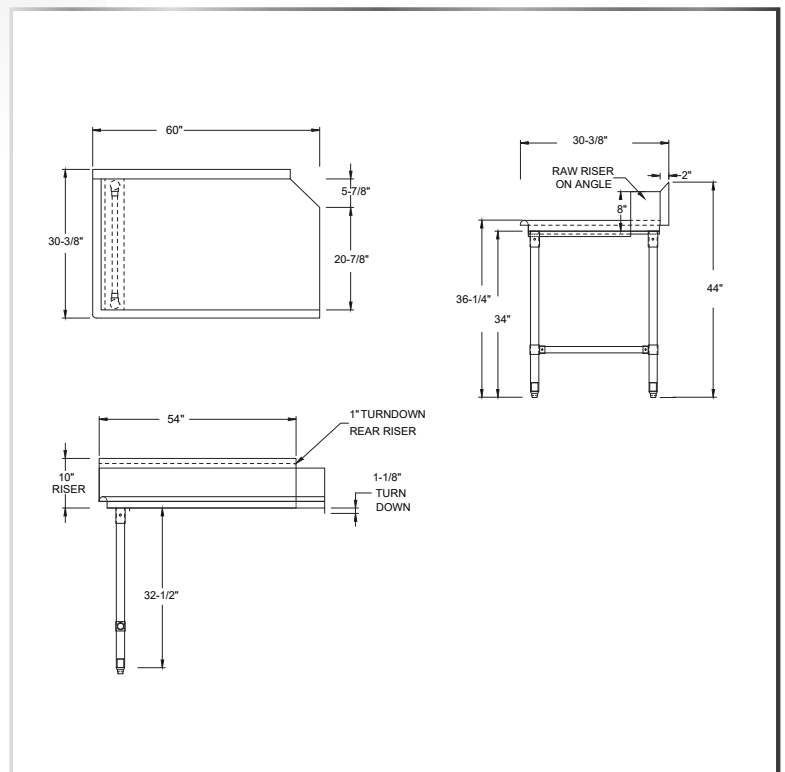


MATERIALS

- 18 Gauge 300 Series Stainless Steel Top
- Galvanized Legs and Gussets
- Plastic Bullet Feet

FEATURES

- Straight Design
- 10" Backsplash with 2" Return to Wall At 45°
- Rolled Front and Side Edges
- Adjustable Bracing and Bullet Feet



MODEL NUMBER	LENGTH	WIDTH
CDT-26L	26"	30-3/8"
CDT-36L	36"	30-3/8"
CDT-48L	48"	30-3/8"
CDT-60L	60"	30-3/8"
CDT-72L	72"	30-3/8"

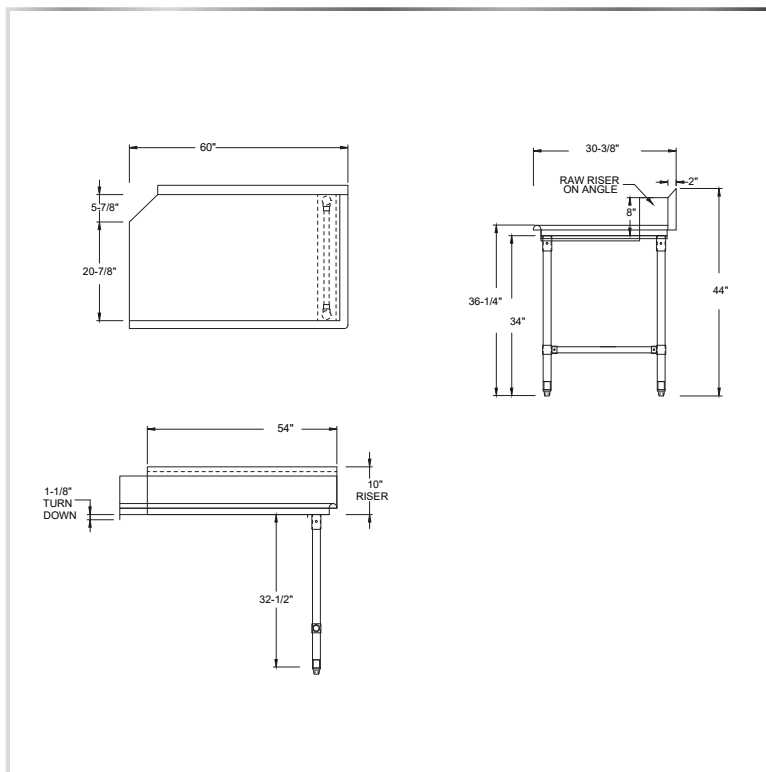
ECONOMY CLEAN DISH TABLE (LEFT TO RIGHT OPERATION)



DISH TABLES - CLEAN

MATERIALS

- 18 Gauge 300 Series Stainless Steel Top
 - Galvanized Legs and Gussets
 - Plastic Bullet Feet



FEATURES

- Straight Design
- 10" Backsplash with 2" Return to Wall At 45°
- Rolled Front and Side Edges
- Adjustable Bracing and Bullet Feet

MODEL NUMBER	LENGTH	WIDTH
CDT-26R	26"	30-3/8"
CDT-36R	36"	30-3/8"
CDT-48R	48"	30-3/8"
CDT-60R	60"	30-3/8"
CDT-72R	72"	30-3/8"

(609) 642 - 8389 | SALES@NBREQUIPMENT.COM | WWW.NBREQUIPMENT.COM
NBR EQUIPMENT, 10 ABEEL ROAD, CRANBURY, NJ 08512

PREMIUM SOILED DISH TABLE (LEFT TO RIGHT OPERATION)

DISH TABLES - SOILED



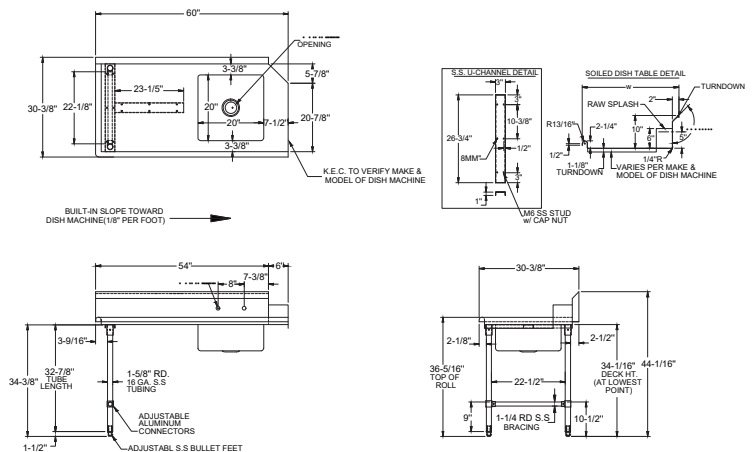
MATERIALS

- 16 Gauge 300 Series Stainless Steel Top
- Stainless Steel Legs and Bullet Feet

**COMPATIBLE WITH
NEW NBR FAUCETS!**
SEE PAGE 75

FEATURES

- Straight Design
- 10" Backsplash with 2" Return to Wall At 45°
- 8" On-Center Wall-Mounted Faucet Holes
 - Rolled Front and Side Edges
- One Deep Pre-Rinse Sink on Right Side
- Adjustable Bracing and Bullet Feet
 - Drain Basket Included



MODEL NUMBER	BOWL SIZE L X W X H	LENGTH	WIDTH
SDT-26L-16	20" x 20" x 8"	26"	30- ³ / ₈ "
SDT-36L-16	20" x 20" x 8"	36"	30- ³ / ₈ "
SDT-48L-16	20" x 20" x 8"	48"	30- ³ / ₈ "
SDT-60L-16	20" x 20" x 8"	60"	30- ³ / ₈ "
SDT-72L-16	20" x 20" x 8"	72"	30- ³ / ₈ "

(609) 642 - 8389 | SALES@NBREQUIPMENT.COM | WWW.NBREQUIPMENT.COM
NBR EQUIPMENT, 10 ABEEL ROAD, CRANBURY, NJ 08512

PREMIUM SOILED DISH TABLE (RIGHT TO LEFT OPERATION)



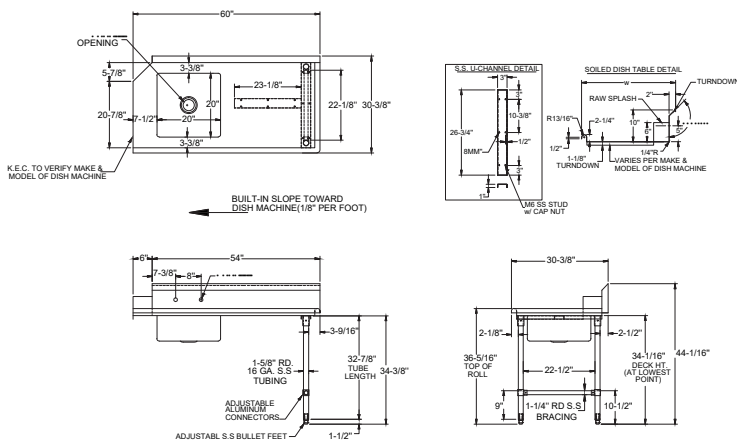
DISH TABLES - SOILED

MATERIALS

- 16 Gauge 300 Series Stainless Steel Top
- Stainless Steel Legs and Bullet Feet



**COMPATIBLE WITH
NEW NBR FAUCETS!
SEE PAGE 75**



FEATURES

- Straight Design
- 10" Backsplash with 2" Return to Wall At 45°
- 8" On-Center Wall-Mounted Faucet Holes
- Rolled Front and Side Edges
- One Deep Pre-Rinse Sink on Left Side
- Adjustable Bracing and Bullet Feet
- Drain Basket Included

MODEL NUMBER	BOWL SIZE L X W X H	LENGTH	WIDTH
SDT-26R-16	20" x 20" x 8"	26"	30-3/8"
SDT-36R-16	20" x 20" x 8"	36"	30-3/8"
SDT-48R-16	20" x 20" x 8"	48"	30-3/8"
SDT-60R-16	20" x 20" x 8"	60"	30-3/8"
SDT-72R-16	20" x 20" x 8"	72"	30-3/8"

(609) 642 - 8389 | SALES@NBREQUIPMENT.COM | WWW.NBREQUIPMENT.COM

NBR EQUIPMENT, 10 ABEEL ROAD, CRANBURY, NJ 08512

ECONOMY SOILED DISH TABLE (LEFT TO RIGHT OPERATION)

DISH TABLES - SOILED



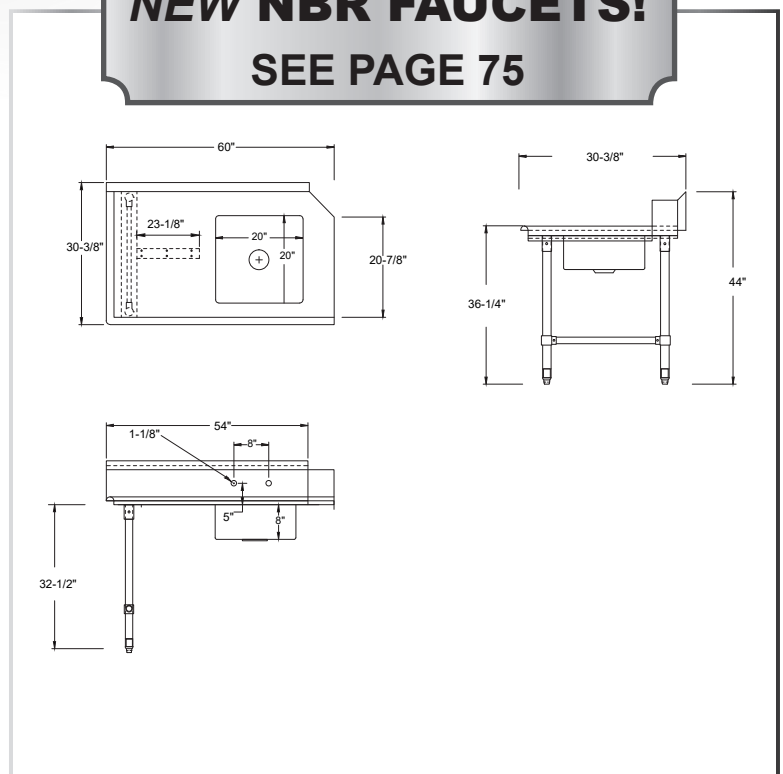
MATERIALS

- 18 Gauge 300 Series Stainless Steel Top
- Galvanized Steel Legs and Gussets
- Plastic Bullet Feet

**COMPATIBLE WITH
NEW NBR FAUCETS!**
SEE PAGE 75

FEATURES

- Straight Design
- 10" Backsplash with 2" Return to Wall At 45°
- 8" On-Center Wall-Mounted Faucet Holes
 - Rolled Front and Side Edges
- One Deep Pre-Rinse Sink on Right Side
- Adjustable Bracing and Bullet Feet
 - Drain Basket Included



MODEL NUMBER	BOWL SIZE L X W X H	LENGTH	WIDTH
SDT-26L	20" x 20" x 8"	26"	30-3/8"
SDT-36L	20" x 20" x 8"	36"	30-3/8"
SDT-48L	20" x 20" x 8"	48"	30-3/8"
SDT-60L	20" x 20" x 8"	60"	30-3/8"
SDT-72L	20" x 20" x 8"	72"	30-3/8"

(609) 642 - 8389 | SALES@NBREQUIPMENT.COM | WWW.NBREQUIPMENT.COM
NBR EQUIPMENT, 10 ABEEL ROAD, CRANBURY, NJ 08512

ECONOMY SOILED DISH TABLE (RIGHT TO LEFT OPERATION)



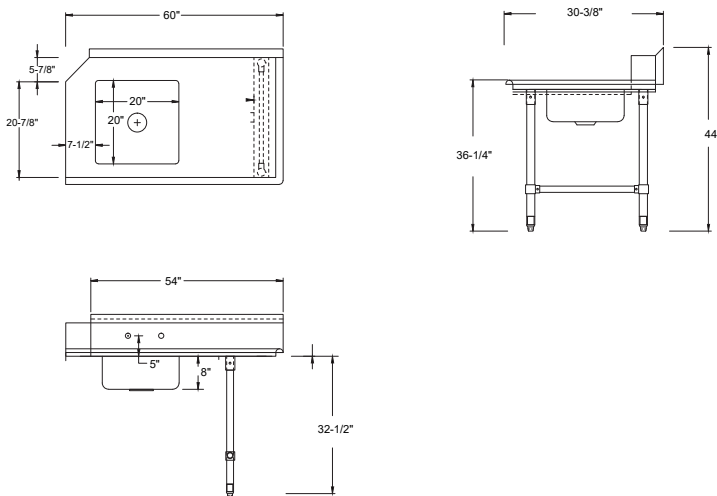
DISH TABLES - SOILED

MATERIALS

- 18 Gauge 300 Series Stainless Steel Top
- Galvanized Steel Legs and Gussets
 - Plastic Bullet Feet



**COMPATIBLE WITH
NEW NBR FAUCETS!
SEE PAGE 75**



FEATURES

- Straight Design
- 10" Backsplash with 2" Return to Wall At 45°
- 8" On-Center Wall-Mounted Faucet Holes
- Rolled Front and Side Edges
- One Deep Pre-Rinse Sink on Left Side
- Adjustable Bracing and Bullet Feet
- Drain Basket Included

MODEL NUMBER	BOWL SIZE L X W X H	LENGTH	WIDTH
SDT-26R	20" x 20" x 8"	26"	30-3/8"
SDT-36R	20" x 20" x 8"	36"	30-3/8"
SDT-48R	20" x 20" x 8"	48"	30-3/8"
SDT-60R	20" x 20" x 8"	60"	30-3/8"
SDT-72R	20" x 20" x 8"	72"	30-3/8"

(609) 642 - 8389 | SALES@NBREQUIPMENT.COM | WWW.NBREQUIPMENT.COM

NBR EQUIPMENT, 10 ABEEL ROAD, CRANBURY, NJ 08512

UNDERCOUNTER SOILED DISH TABLE (LEFT TO RIGHT OPERATION)

DISH TABLES - UNDERCOUNTER



MATERIALS

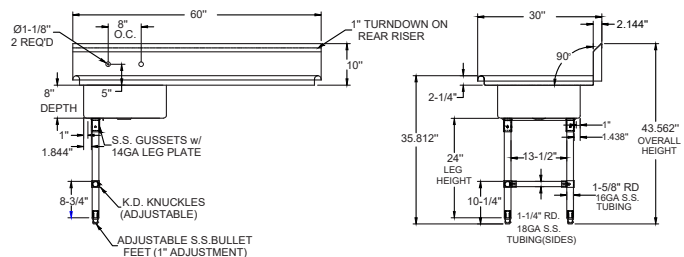
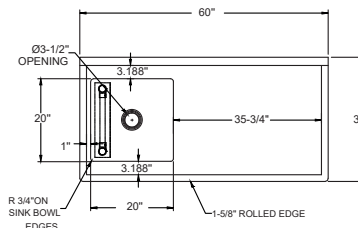
- 18 Gauge 300 Series Stainless Steel Top
- Galvanized Legs and Bracing
- Plastic Bullet Feet

**COMPATIBLE WITH
NEW NBR FAUCETS!**

SEE PAGE 75

FEATURES

- Straight Design
- 10" Backsplash with 1" Return to Wall At 45°
 - 3/4" Turned Down Rear Lip
- 8" On-Center Wall-Mounted Faucet Holes
 - Drain Basket Included



MODEL NUMBER	BOWL SIZE L X W X H	LENGTH	WIDTH
UDT-50L	20" x 20" x 8"	50"	30"
UDT-60L	20" x 20" x 8"	60"	30"

UNDERCOUNTER SOILED DISH TABLES (RIGHT TO LEFT OPERATION)



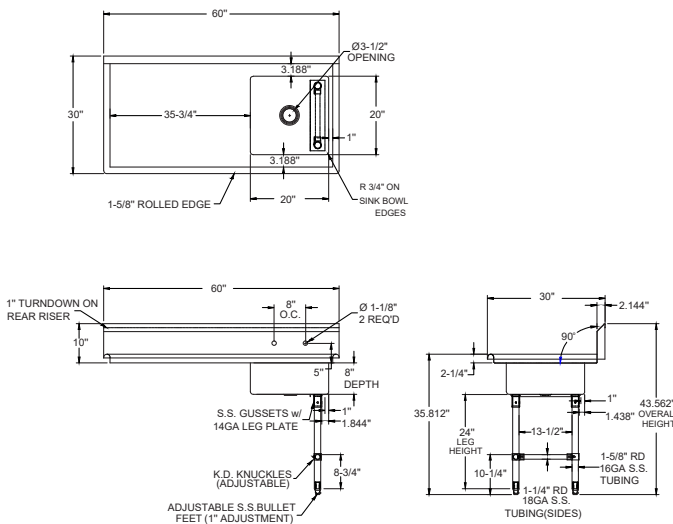
DISH TABLES - UNDERCOUNTER

MATERIALS

- 18 Gauge 300 Series Stainless Steel Top
 - Galvanized Legs and Bracing
 - Plastic Bullet Feet



**COMPATIBLE WITH
NEW NBR FAUCETS!
SEE PAGE 75**



FEATURES

- Straight Design
- 10" Backsplash with 2" Return to Wall At 45°
- 3/4" Turned Down Rear Lip
- 8" On-Center Wall-Mounted Faucet Holes
- Drain Basket Included

MODEL NUMBER	BOWL SIZE L X W X H	LENGTH	WIDTH
UDT-50R	20" x 20" x 8"	50"	30"
UDT-60R	20" x 20" x 8"	60"	30"

3-BOWL 2-DRAINBOARD CORNER DISH TABLE

DISH TABLES - 3 BOWL CORNER



MATERIALS

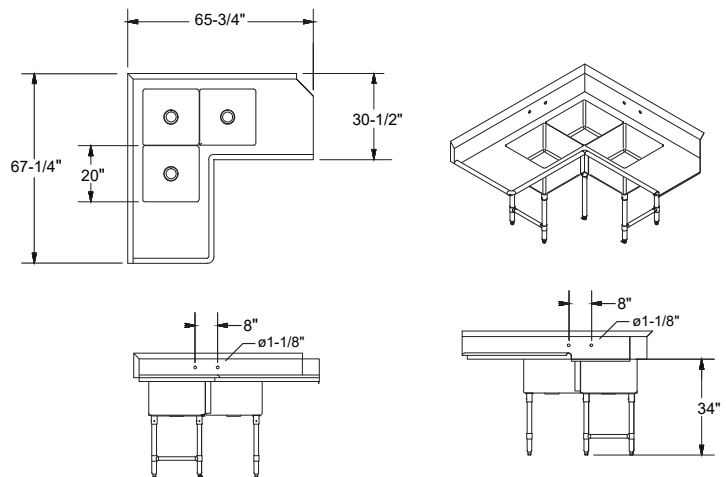
- 18 Gauge 300 Series Stainless Steel Top
- Galvanized Legs, Gussets, and Bracing
- Plastic Bullet Feet

**COMPATIBLE WITH
NEW NBR FAUCETS!**

SEE PAGE 75

FEATURES

- Designed to Fit Into Dish Machine
- 9" Backsplash with 2" Return to Wall
 - Two Sets of 8" On-Center Wall-Mounted Faucet Holes
- 3-1/2" Die-Stamped Drain Opening
 - Two 20" Drainboards
 - Adjustable Bullet Feet
 - Drain Basket Included



SDT3C-202012L20 Shown

MODEL NUMBER	BOWL SIZE L X W X H	LENGTH	WIDTH	DRAINBOARD SIZE
SDT3C-202012L20	20" x 20" x 12"	65-3/4"	30-1/2"	20"
SDT3C-202012R20	20" x 20" x 12"	65-3/4"	30-1/2"	20"

3-BOWL SOILED DISH TABLE

DISH TABLES - 3 BOWLS

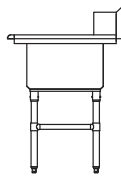
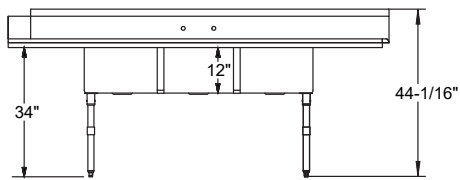
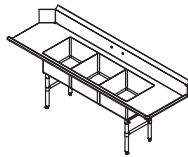
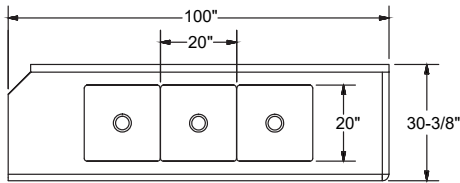


MATERIALS

- 18 Gauge 300 Series Stainless Steel Top
 - Galvanized Legs, Gussets, and Bracing
 - Plastic Bullet Feet



**COMPATIBLE WITH
NEW NBR FAUCETS!**
SEE PAGE 75



SDT3-202012R20 Shown

FEATURES

- Designed to Fit Into Dish Machine (Left OR Right Side)
- 10" Backsplash with 2" Return to Wall At 45°
- Two Sets of 8" On-Center Wall-Mounted Faucet Holes
- 3-1/2" Die-Stamped Drain Openings With Drain Baskets Included
- Two 20" Drainboards (1 on Each Side)
- Adjustable Bullet Feet

MODEL NUMBER	BOWL SIZE L X W X H	LENGTH	WIDTH	DRAINBOARD SIZE
SDT3-202012L20	20" x 20" x 12"	100"	30-3/8"	20"
SDT3-202012R20	20" x 20" x 12"	100"	30-3/8"	20"

PRE-RINSE BASKET & TRAY SLIDES

DISH ROOM - ACCESSORIES



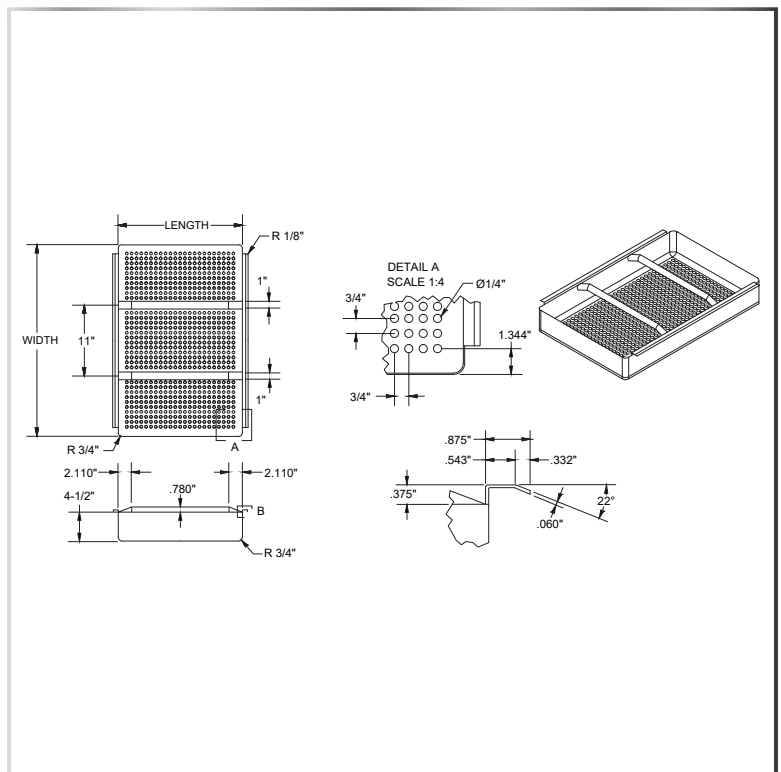
MATERIALS

- 16 Gauge 300 Series Stainless Steel; Fabricated



FEATURES

- 5" Deep Pre-Rinse Bowl
- Tray Slides Fit In 20" X 20" Pre-Rinse Sink



MODEL NUMBER

BOWL SIZE L X W

PB-1824

17-1/2" x 23-1/2"

PB-2020

19-1/2" x 19-1/2"

PB-2030

19-1/2" x 29-1/2"

PB-2424

23-1/2" x 23-1/2"

SLB-2020

19-3/4" x 21"

(609) 642 - 8389 | SALES@NBREQUIPMENT.COM | WWW.NBREQUIPMENT.COM
NBR EQUIPMENT, 10 ABEEL ROAD, CRANBURY, NJ 08512

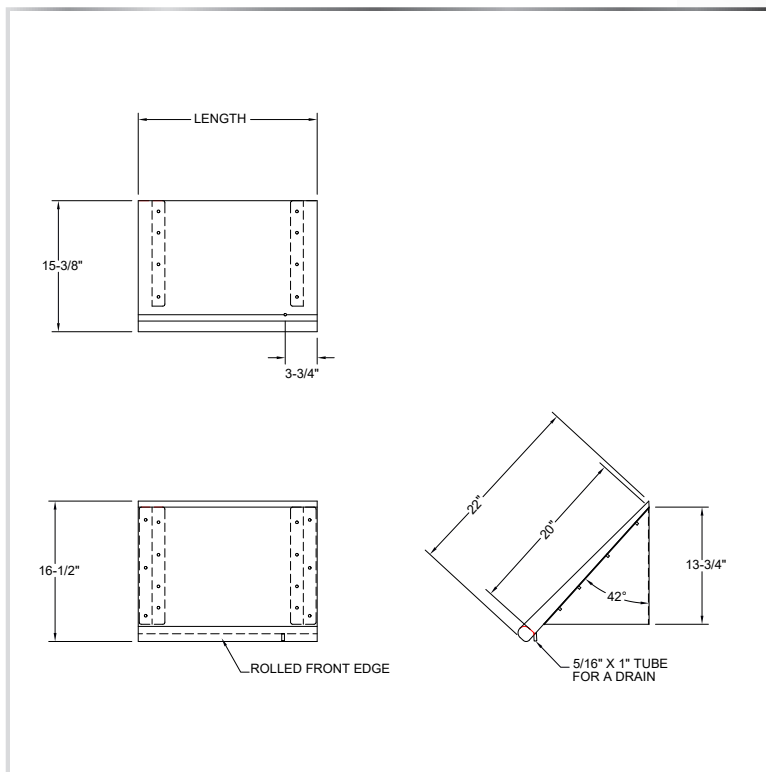
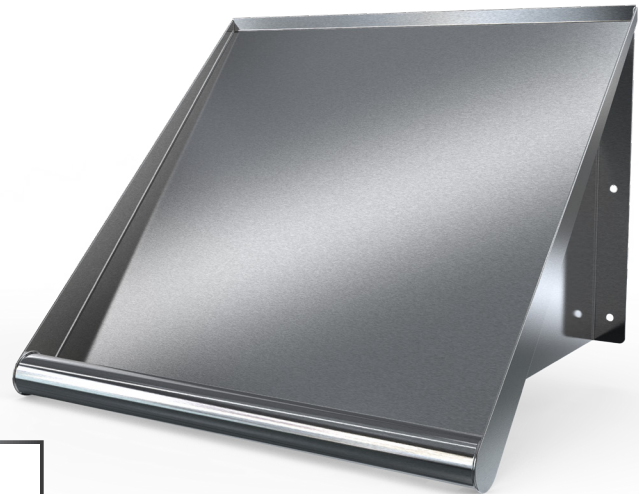
SOLID SORTING SHELF

DISH ROOM - ACCESSORIES



MATERIALS

- 18 Gauge 300 Series Stainless Steel



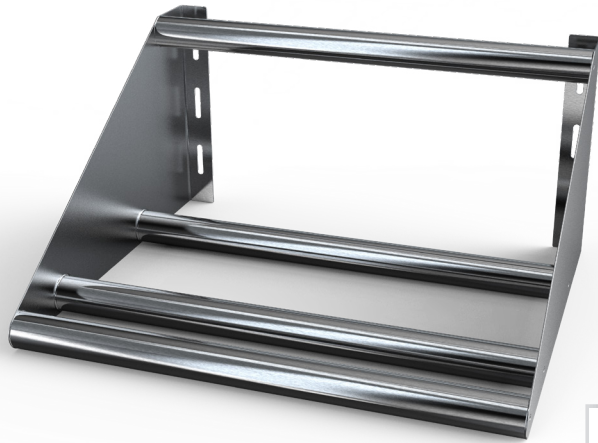
FEATURES

- Solid Wall Mounted Shelf
- Rolled Front Edges
- Includes Brackets
- Drain Tube in Right Corner

MODEL NUMBER	LENGTH	WIDTH
SSR-21	21"	22"
SSR-42	42"	22"
SSR-63	63"	22"

TUBULAR SORTING SHELF

DISH ROOM - ACCESSORIES

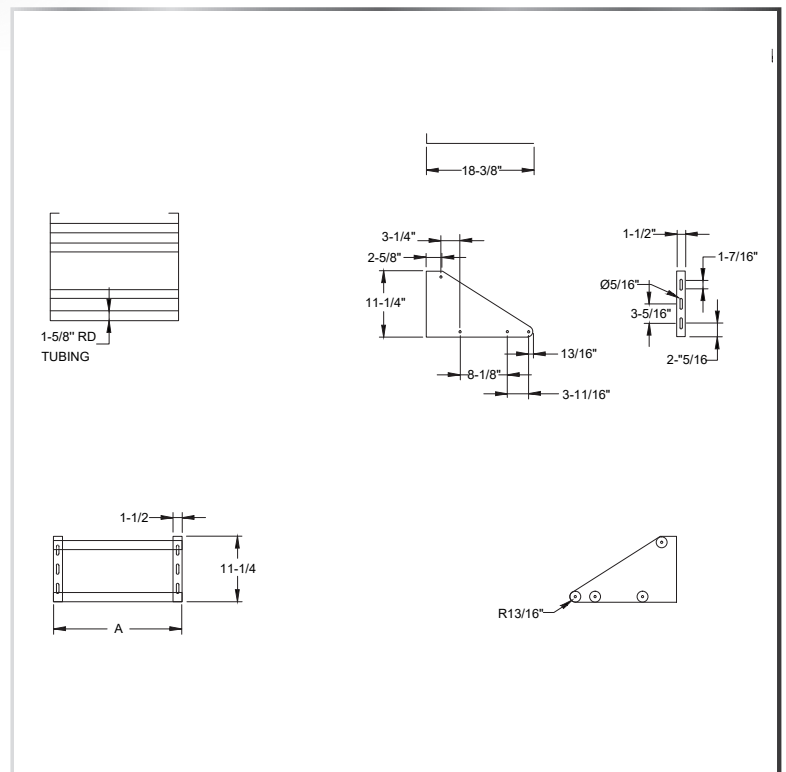


MATERIALS

- 16 Gauge 300 Series Stainless Steel

FEATURES

- Slanted Wall Mounted Shelf
 - Includes Brackets
 - Four 1-5/8" Round Tubes



MODEL NUMBER	LENGTH	WIDTH
TSS-22	22"	18-3/8"
TSS-42	42"	18-3/8"
TSS-63	63"	18-3/8"

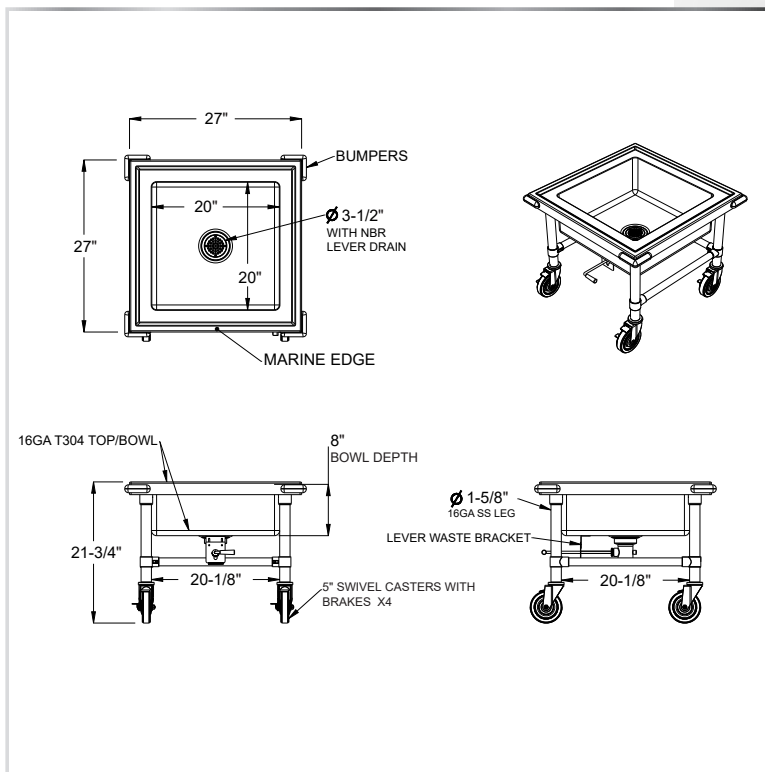
MOBILE SOAK SINK

DISH ROOM - MOBILE



MATERIALS

- 16 Gauge 304 Series Stainless Steel; Fabricated
- Stainless Steel Cross-Bracing, Legs, and 5" Swivel Casters With Brake



FEATURES

- Marine Edges
- Gray Bumpers
- Twist Lever Waste Drain Included
- Includes Swivel Casters With Brakes

MODEL NUMBER

SKS-2020

SOAK SINK SIZE

20" x 20" x 8"

FREE-STANDING SERVICE SINK

DISH ROOM - FREE STANDING

NEW



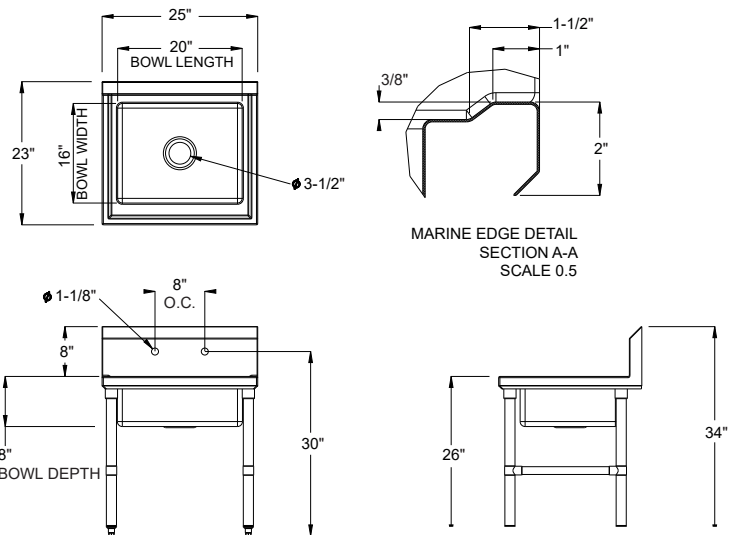
MATERIALS

- 18 Gauge 304 Series Stainless Steel; Fabricated
- Stainless Steel Legs, Cross-Bracing, and Bullet Feet

**COMPATIBLE WITH
NEW NBR FAUCETS!
SEE PAGE 75**

FEATURES

- 8" Deep Fabricated Sink Bowl
 - 3-1/2" Drain Basket Included
- 8" On-Center Wall-Mounted Faucet Holes



MODEL NUMBER

SVS-2016

SOAK SINK SIZE

20" x 16" x 8"

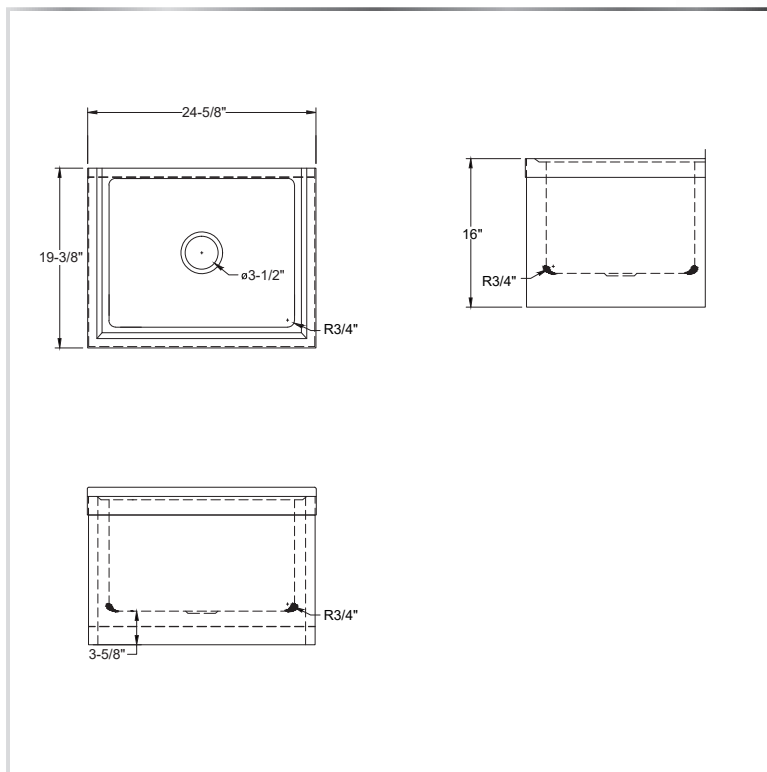
FLOOR-MOUNT MOP SINK

MOP SINKS - FLOOR MOUNT



MATERIALS

- 16 Gauge 304 Series Stainless Steel Bowl



FEATURES

- Marine Edges
- 3-1/2" Heavy Duty Brass Drain Basket Included
- Skirted Sides

MODEL NUMBER	BOWL SIZE L X W X H	LENGTH	WIDTH
MOP-162006	20" x 16" x 6"	24-5/8"	19-3/8"
MOP-162012	20" x 16" x 12"	24-5/8"	19-3/8"
MOP-242406	24" x 24" x 6"	28-5/8"	27-3/8"
MOP-242412	24" x 24" x 12"	28-5/8"	27-3/8"
MOP-282012	28" x 20" x 12"	32-5/8"	23-3/8"

(609) 642 - 8389 | SALES@NBREQUIPMENT.COM | WWW.NBREQUIPMENT.COM

NBR EQUIPMENT, 10 ABEEL ROAD, CRANBURY, NJ 08512

FLUSH FLOOR-MOUNT MOP SINK

MOP SINKS - FLUSH FLOOR MOUNT

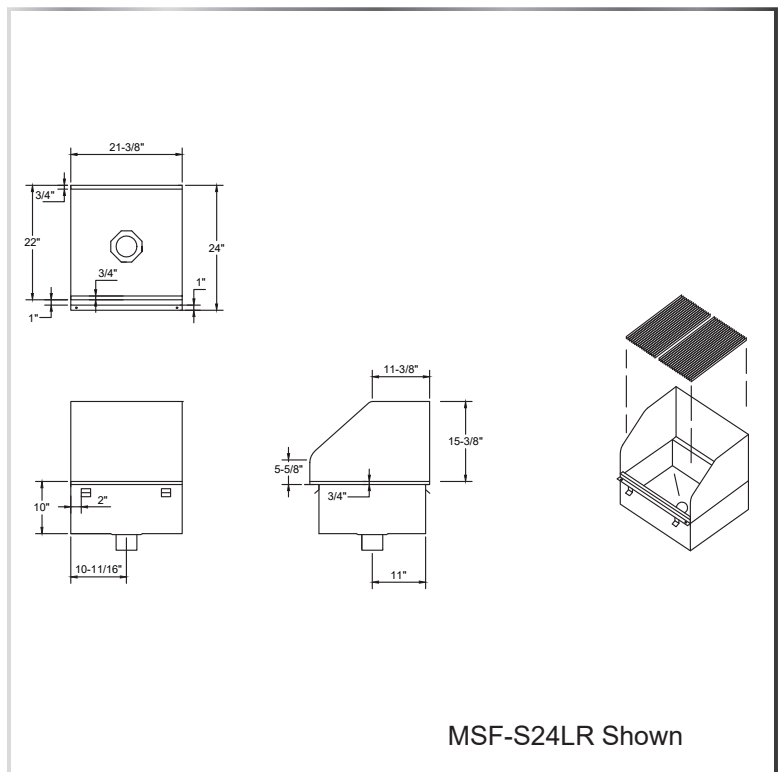


MATERIALS

- 16 Gauge 304 Series Stainless Steel Bowl

FEATURES

- Recessed Into Floor
- Removable Stainless Steel Subway Grating and Strainer Basket
- Allows Mop Buckets To Roll Over Sink At Floor Level
- 16-1/2" Backsplashes; Available With Left Splash (L), Right Splash (R), Or Both (LR)
- 4" Outer Dimension (O.D.) Waste Pipe 3" Tall



MODEL NUMBER	BOWL SIZE L X W X H	LENGTH	WIDTH
MSF-S24L	23-3/8" x 24" x 10"	23-3/8"	24"
MSF-S24R	23-3/8" x 24" x 10"	23-3/8"	24"
MSF-S24LR	21-3/8" x 24" x 10"	21-3/8"	24"

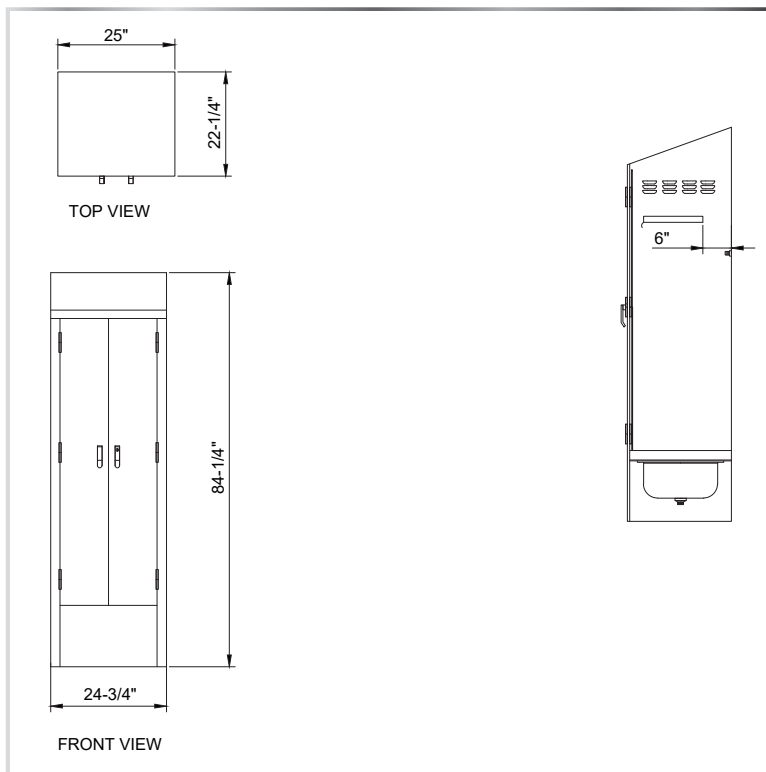
SINGLE STORAGE MOP SINK CABINET

MOP SINKS - CABINET



MATERIALS

- 18 Gauge 430 Series Stainless Steel Body
- 16 Gauge 304 Series Stainless Steel Mop Sink
- 20 Gauge 430 Series Stainless Steel Doors



FEATURES

- Holds Two Mops
- One Fixed Overhead Shelf
- 20" x 16" x 8" Mop Sink
- Two Hinged Doors With Transverse Rod Handles and Keyed Locks
- Single Storage Closet With Slanted Top
- Drain Basket Included

MODEL NUMBER	BOWL SIZE L X W X H	LENGTH	WIDTH
MSC-2522	20" x 16" x 8"	25"	22-1/4"

DOUBLE STORAGE MOP SINK CABINET

MOP SINKS - CABINET

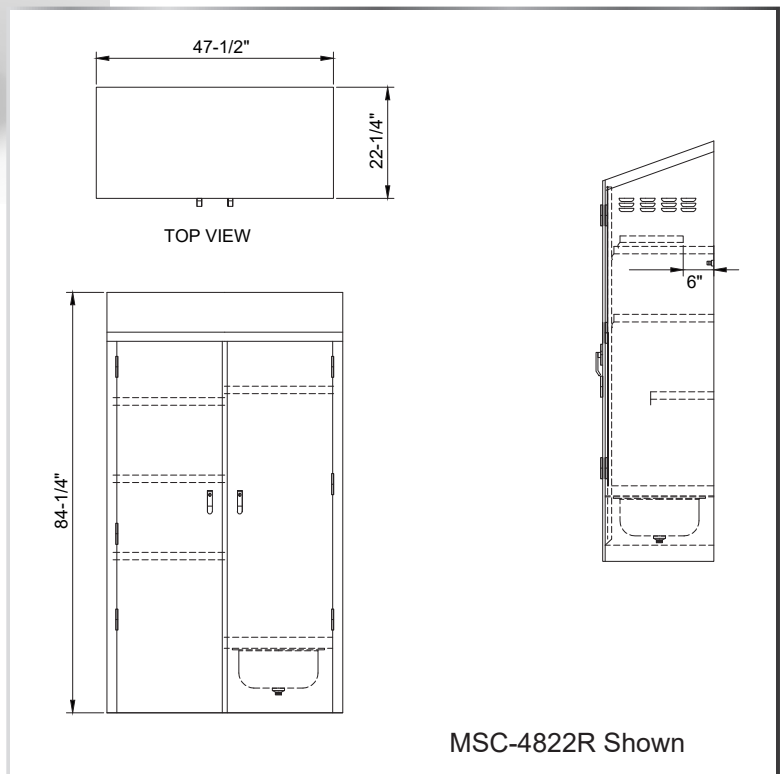


MATERIALS

- 18 Gauge 430 Series Stainless Steel Body
- 16 Gauge 304 Series Stainless Steel Mop Sink
- 20 Gauge 430 Series Stainless Steel Doors

FEATURES

- Holds Two Mops
- One Fixed Overhead Shelf Above Mop Sink
- Three Fixed Shelves in Cabinet Storage Side
 - 20" x 16" x 8" Mop Sink
- Two Hinged Doors With Transverse Rod Handles and Keyed Locks
- Double Storage Closet With Slanted Top
 - Drain Basket Included



MODEL NUMBER	BOWL SIZE L X W X H	LENGTH	WIDTH
MSC-4822L	20" x 16" x 8"	47-1/2"	22-1/4"
MSC-4822R	20" x 16" x 8"	47-1/2"	22-1/4"

TROUGHS

TROUGHS



FEATURES

- Subway Style Grating
- 3-½" Deep Welded Pan With Built-In Pitch
- Accommodates Up to 4" in Diameter Pipe
- Includes Removable Perforated Strainer

MATERIALS

- 14 Gauge 300 Series Stainless Steel; Fabricated
- Stainless Steel Grating and Strainer



MODEL NUMBER	LENGTH	WIDTH
FT-G1224	24"	12"
FT-G1236	36"	12"
FT-G1248	48"	12"
FT-G1260	60"	12"
FT-G1824	24"	18"
FT-G1836	36"	18"
FT-G1848	48"	18"
FT-G1860	60"	18"



MODEL NUMBER	TP-12*	TB-18*
SIZE	12"L x 6-7/16"W	18"L x 4"D x 4"W
DESCRIPTION	Urn Trough with Removable Drip Plate	Trough and Basket
MATERIAL	16 GA 300 Stainless Steel	14 GA 304 Stainless Steel

*** AVAILABLE IN BIGGER SIZES:**

TP-18: 18"L TP-36: 36"L TP-60: 60"L TB-24: 24"L X 4"W
TP-24: 24"L TP-48: 48"L TP-72: 72"L TB-26: 26"L X 4"W

(609) 642 - 8389 | SALES@NBREQUIPMENT.COM | WWW.NBREQUIPMENT.COM
 NBR EQUIPMENT, 10 ABEEL ROAD, CRANBURY, NJ 08512

PREMIUM 1-BOWL SINK

SINKS - 1 BOWL



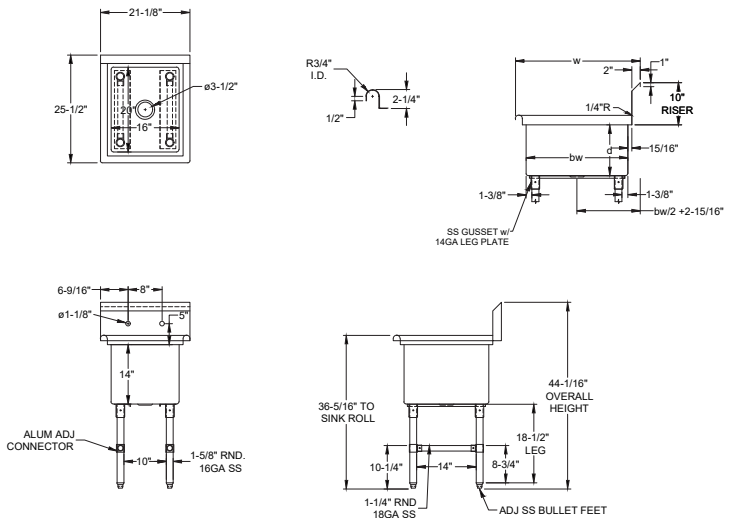
MATERIALS

- 16 Gauge 300 Series Stainless Steel; Fabricated
- Stainless Steel Legs, Gussets, Cross-Bracing, and Bullet Feet

**COMPATIBLE WITH
NEW NBR FAUCETS!
SEE PAGE 75**

FEATURES

- 10"H Backsplash with 2" Return to Wall
- 8" On-Center Wall-Mounted Faucet Holes
- 3-1/2" Die-Stamped Drain Opening With Drain Basket Included
 - Cross-Bracing for Reinforced Support
 - Adjustable Bullet Feet



MODEL NUMBER	BOWL SIZE L X W X H	LENGTH	WIDTH
1SS-162014	16" x 20" x 14"	21-1/8"	25-1/2"
1SS-181814	18" x 18" x 14"	23-1/8"	23-1/2"
1SS-182414	18" x 24" x 14"	23-1/8"	29-1/2"
1SS-242414	24" x 24" x 14"	29-1/8"	29-1/2"

PREMIUM 1-BOWL 1-DRAINBOARD SINK (LEFT)



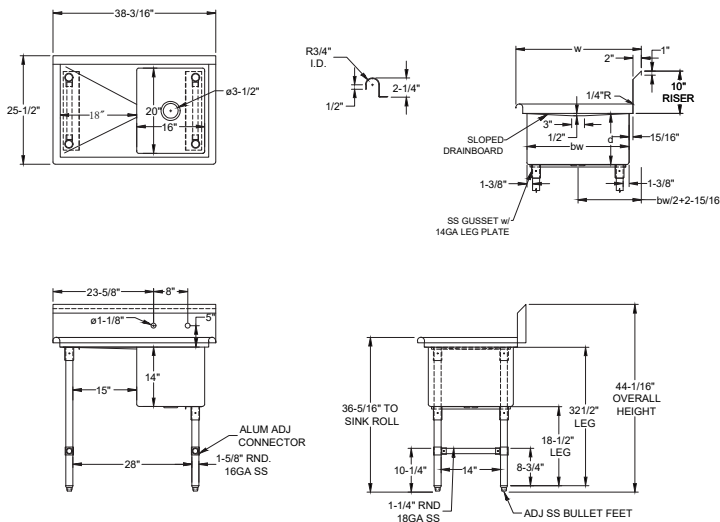
SINKS - 1 BOWL

MATERIALS

- 16 Gauge 300 Series Stainless Steel; Fabricated
- Stainless Steel Legs, Gussets, Cross-Bracing, and Bullet Feet



**COMPATIBLE WITH
NEW NBR FAUCETS!
SEE PAGE 75**



FEATURES

- 10"H Backsplash with 2" Return to Wall
- 8" On-Center Wall-Mounted Faucet Holes
- 3-1/2" Die-Stamped Drain Opening With Drain Basket Included
- One Drainboard (Left Side)
- Cross-Bracing for Reinforced Support
- Adjustable Bullet Feet

MODEL NUMBER	BOWL SIZE L X W X H	LENGTH	WIDTH	DRAINBOARD SIZE
1SS-162014L18	16" x 20" x 14"	38- ³ / ₁₆ "	25- ¹ / ₂ "	18"
1SS-181814L18	18" x 18" x 14"	40- ³ / ₁₆ "	23- ¹ / ₂ "	18"
1SS-182414L18	18" x 24" x 14"	40- ³ / ₁₆ "	29- ¹ / ₂ "	18"
1SS-182414L24	18" x 24" x 14"	46- ³ / ₁₆ "	29- ¹ / ₂ "	24"
1SS-242414L24	24" x 24" x 14"	52- ³ / ₁₆ "	29- ¹ / ₂ "	24"

(609) 642 - 8389 | SALES@NBREQUIPMENT.COM | WWW.NBREQUIPMENT.COM

NBR EQUIPMENT, 10 ABEEL ROAD, CRANBURY, NJ 08512

PREMIUM 1-BOWL 1-DRAINBOARD SINK (RIGHT)

SINKS - 1 BOWL



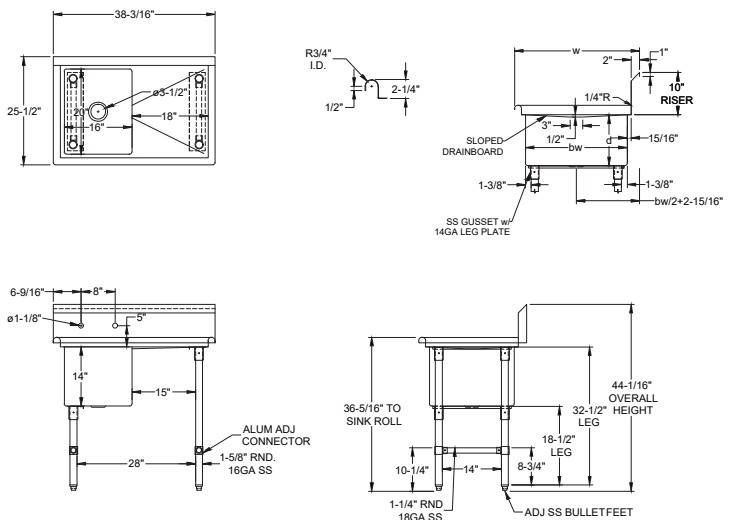
MATERIALS

- 16 Gauge 300 Series Stainless Steel; Fabricated
- Stainless Steel Legs, Gussets, Cross-Bracing, and Bullet Feet

**COMPATIBLE WITH
NEW NBR FAUCETS!**
SEE PAGE 75

FEATURES

- 10"H Backsplash with 2" Return to Wall
- 8" On-Center Wall-Mounted Faucet Holes
- 3-1/2" Die-Stamped Drain Opening With Drain Basket Included
 - One Drainboard (Right Side)
 - Cross-Bracing for Reinforced Support
 - Adjustable Bullet Feet



MODEL NUMBER	BOWL SIZE L X W X H	LENGTH	WIDTH	DRAINBOARD SIZE
1SS-162014R18	16" x 20" x 14"	38- ³ / ₁₆ "	25- ¹ / ₂ "	18"
1SS-181814R18	18" x 18" x 14"	40- ³ / ₁₆ "	23- ¹ / ₂ "	18"
1SS-182414R18	18" x 24" x 14"	40- ³ / ₁₆ "	29- ¹ / ₂ "	18"
1SS-182414R24	18" x 24" x 14"	46- ³ / ₁₆ "	29- ¹ / ₂ "	24"
1SS-242414R24	24" x 24" x 14"	52- ³ / ₁₆ "	29- ¹ / ₂ "	24"

(609) 642 - 8389 | SALES@NBREQUIPMENT.COM | WWW.NBREQUIPMENT.COM
NBR EQUIPMENT, 10 ABEEL ROAD, CRANBURY, NJ 08512

PREMIUM 1-BOWL 2-DRAINBOARD SINK



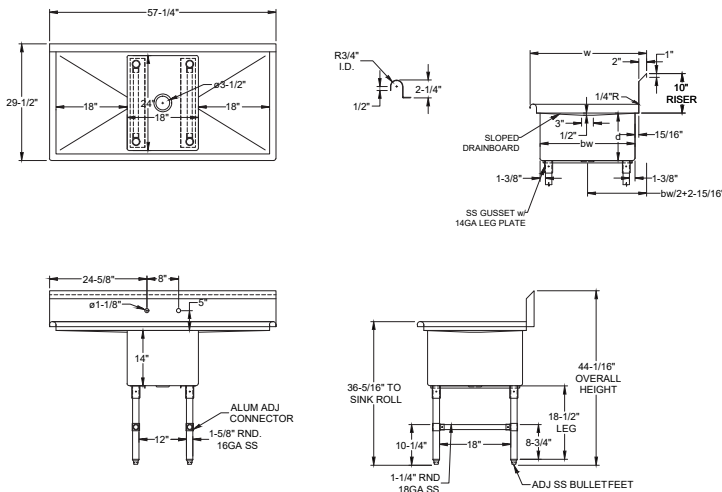
SINKS - 1 BOWL

MATERIALS

- 16 Gauge 300 Series Stainless Steel; Fabricated
- Stainless Steel Legs, Gussets, Cross-Bracing, and Bullet Feet



**COMPATIBLE WITH
NEW NBR FAUCETS!
SEE PAGE 75**



FEATURES

- 10"H Backsplash with 2" Return to Wall
- 8" On-Center Wall-Mounted Faucet Holes
- 3-1/2" Die-Stamped Drain Opening With Drain Basket Included
- Two Drainboards (1 on Each Side)
- Cross-Bracing for Reinforced Support
- Adjustable Bullet Feet

MODEL NUMBER	BOWL SIZE L X W X H	LENGTH	WIDTH	DRAINBOARD SIZE
1SS-162014LR18	16" x 20" x 14"	55-1/4"	25-1/2"	18"
1SS-181814LR18	18" x 18" x 14"	57-1/4"	23-1/2"	18"
1SS-182414LR18	18" x 24" x 14"	57-1/4"	29-1/2"	18"
1SS-182414LR24	18" x 24" x 14"	69-1/4"	29-1/2"	24"
1SS-242414LR24	24" x 24" x 14"	75-1/4"	29-1/2"	24"

(609) 642 - 8389 | SALES@NBREQUIPMENT.COM | WWW.NBREQUIPMENT.COM

NBR EQUIPMENT, 10 ABEEL ROAD, CRANBURY, NJ 08512

ECONOMY 1-BOWL SINK

SINKS - 1 BOWL



MATERIALS

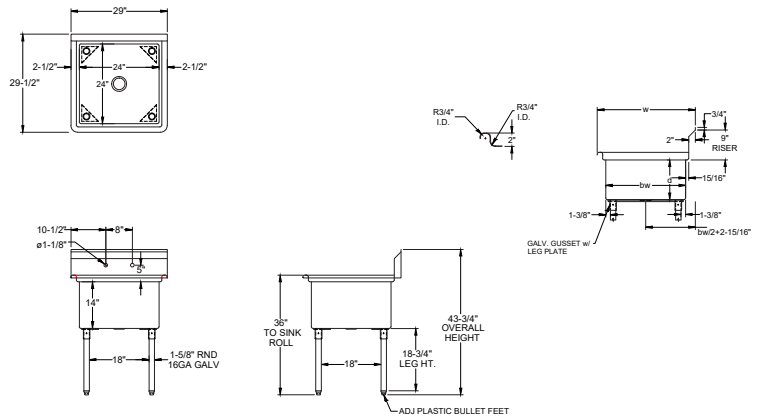
- 18 Gauge 300 Series Stainless Steel; Fabricated
- Galvanized Legs and Gussets
- Plastic Bullet Feet

**COMPATIBLE WITH
NEW NBR FAUCETS!**

SEE PAGE 75

FEATURES

- 10"H Backsplash with 2" Return to Wall
- 8" On-Center Wall-Mounted Faucet Holes
- 3-1/2" Die-Stamped Drain Opening With Drain Basket Included
 - Adjustable Bullet Feet



MODEL NUMBER	BOWL SIZE L X W X H	LENGTH	WIDTH
1SG-162012	16" x 20" x 12"	21"	25-1/2"
1SG-181812	18" x 18" x 12"	23"	23-1/2"
1SG-182414	18" x 24" x 14"	23"	29-1/2"
1SG-202012	20" x 20" x 12"	25"	25-1/2"
1SG-242414	24" x 24" x 14"	29"	29-1/2"

(609) 642 - 8389 | SALES@NBREQUIPMENT.COM | WWW.NBREQUIPMENT.COM
NBR EQUIPMENT, 10 ABEEL ROAD, CRANBURY, NJ 08512

ECONOMY 1-BOWL 1-DRAINBOARD SINK (LEFT)



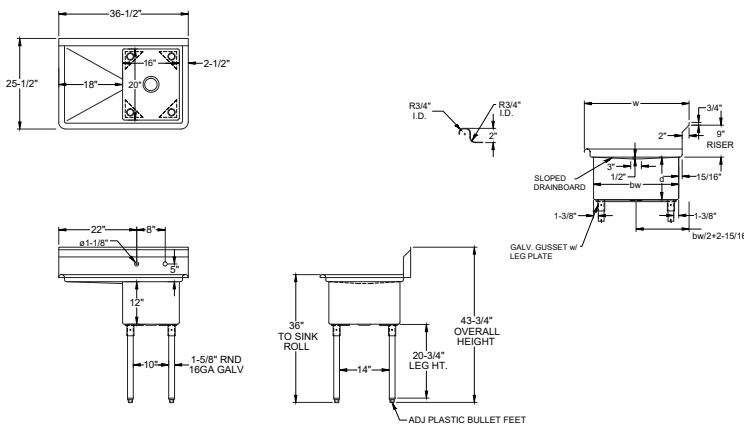
SINKS - 1 BOWL

MATERIALS

- 18 Gauge 300 Series Stainless Steel; Fabricated
- Galvanized Legs and Gussets
 - Plastic Bullet Feet



**COMPATIBLE WITH
NEW NBR FAUCETS!
SEE PAGE 75**



FEATURES

- 10"H Backsplash with 2" Return to Wall
- 8" On-Center Wall-Mounted Faucet Holes
- 3-1/2" Die-Stamped Drain Opening With Drain Basket Included
- One Drainboard (Left Side)
- Adjustable Bullet Feet

MODEL NUMBER	BOWL SIZE L X W X H	LENGTH	WIDTH	DRAINBOARD SIZE
1SG-162012L18	16" x 20" x 12"	36-1/2"	25-1/2"	18"
1SG-181812L18	18" x 18" x 12"	38-1/2"	23-1/2"	18"
1SG-182414L24	18" x 24" x 14"	44-1/2"	29-1/2"	24"
1SG-242414L24	24" x 24" x 14"	50-1/2"	29-1/2"	24"

ECONOMY 1-BOWL 1-DRAINBOARD SINK (RIGHT)

SINKS - 1 BOWL



MATERIALS

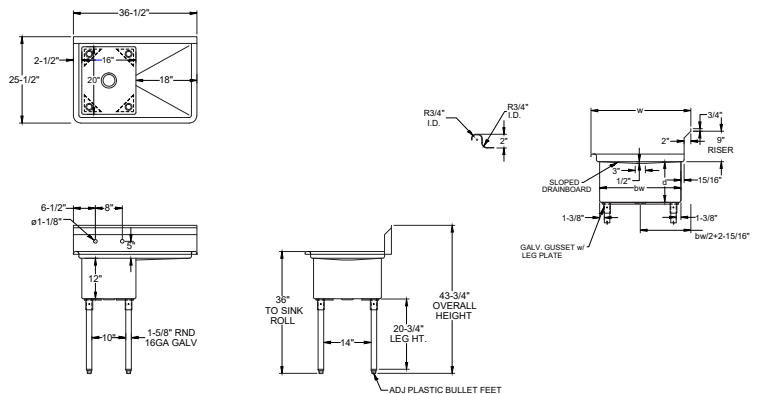
- 18 Gauge 300 Series Stainless Steel; Fabricated
- Galvanized Legs and Gussets
- Plastic Bullet Feet

**COMPATIBLE WITH
NEW NBR FAUCETS!**

SEE PAGE 75

FEATURES

- 10"H Backsplash with 2" Return to Wall
- 8" On-Center Wall-Mounted Faucet Holes
- 3-1/2" Die-Stamped Drain Opening With Drain Basket Included
 - One Drainboard (Right Side)
 - Adjustable Bullet Feet



MODEL NUMBER	BOWL SIZE L X W X H	LENGTH	WIDTH	DRAINBOARD SIZE
1SG-162012R18	16" x 20" x 12"	36-1/2"	25-1/2"	18"
1SG-181812R18	18" x 18" x 12"	38-1/2"	23-1/2"	18"
1SG-182414R24	18" x 24" x 14"	44-1/2"	29-1/2"	24"
1SG-242414R24	24" x 24" x 14"	50-1/2"	29-1/2"	24"

ECONOMY 1-BOWL 2-DRAINBOARD SINK



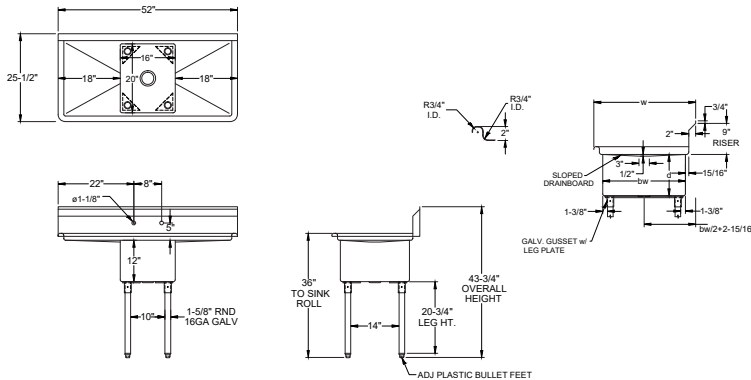
SINKS - 1 BOWL

MATERIALS

- 18 Gauge 300 Series Stainless Steel; Fabricated
- Galvanized Legs and Gussets
 - Plastic Bullet Feet



**COMPATIBLE WITH
NEW NBR FAUCETS!**
SEE PAGE 75



FEATURES

- 10"H Backsplash with 2" Return to Wall
- 8" On-Center Wall-Mounted Faucet Holes
- 3-1/2" Die-Stamped Drain Opening With Drain Basket Included
- Two Drainboard (1 on Each Side)
- Adjustable Bullet Feet

MODEL NUMBER	BOWL SIZE L X W X H	LENGTH	WIDTH	DRAINBOARD SIZE
1SG-162012LR18	16" x 20" x 12"	52"	25-1/2"	18"
1SG-181812LR18	18" x 18" x 12"	54"	23-1/2"	18"
1SG-182414LR24	18" x 24" x 14"	66"	29-1/2"	24"
1SG-242414LR24	24" x 24" x 14"	72"	29-1/2"	24"

PREMIUM 2-BOWL SINK

SINKS - 2 BOWLS



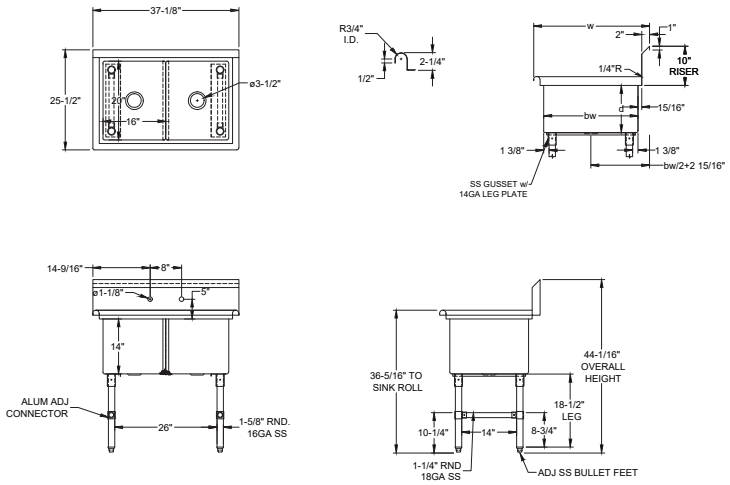
MATERIALS

- 16 Gauge 300 Series Stainless Steel; Fabricated
- Stainless Steel Legs, Gussets, Cross-Bracing, and Bullet Feet

**COMPATIBLE WITH
NEW NBR FAUCETS!**
SEE PAGE 75

FEATURES

- 10"H Backsplash with 2" Return to Wall
- 8" On-Center Wall-Mounted Faucet Holes
- 3-1/2" Die-Stamped Drain Opening With Drain Baskets Included
 - Cross-Bracing for Reinforced Support
 - Adjustable Bullet Feet



MODEL NUMBER	BOWL SIZE L X W X H	LENGTH	WIDTH
2SS-162014	16" x 20" x 14"	37-1/8"	25-1/2"
2SS-181814	18" x 18" x 14"	41-1/8"	23-1/2"
2SS-182414	18" x 24" x 14"	41-1/8"	29-1/2"
2SS-242414	24" x 24" x 14"	53-1/8"	29-1/2"

PREMIUM 2-BOWL 1-DRAINBOARD SINK (LEFT)

SINKS - 2 BOWLS

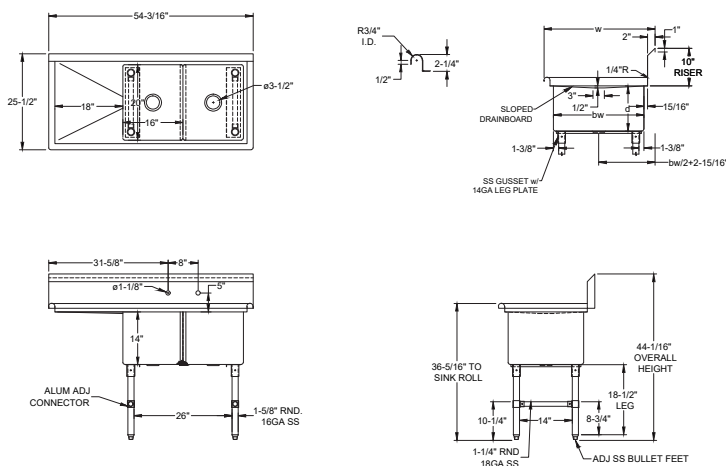


MATERIALS

- 16 Gauge 300 Series Stainless Steel; Fabricated
- Stainless Steel Legs, Gussets, Cross-Bracing, and Bullet Feet



**COMPATIBLE WITH
NEW NBR FAUCETS!
SEE PAGE 75**



FEATURES

- 10"H Backsplash with 2" Return to Wall
- 8" On-Center Wall-Mounted Faucet Holes
- 3-1/2" Die-Stamped Drain Opening With Drain Baskets Included
- One Drainboard (Left Side)
- Cross-Bracing for Reinforced Support
- Adjustable Bullet Feet

MODEL NUMBER	BOWL SIZE L X W X H	LENGTH	WIDTH	DRAINBOARD SIZE
2SS-162014L18	16" x 20" x 14"	54- ³ / ₁₆ "	25- ¹ / ₂ "	18"
2SS-181814L18	18" x 18" x 14"	58- ³ / ₁₆ "	23- ¹ / ₂ "	18"
2SS-182414L18	18" x 24" x 14"	58- ³ / ₁₆ "	29- ¹ / ₂ "	18"
2SS-242414L24	24" x 24" x 14"	76- ³ / ₁₆ "	29- ¹ / ₂ "	24"

PREMIUM 2-BOWL 1-DRAINBOARD SINK (RIGHT)

SINKS - 2 BOWLS



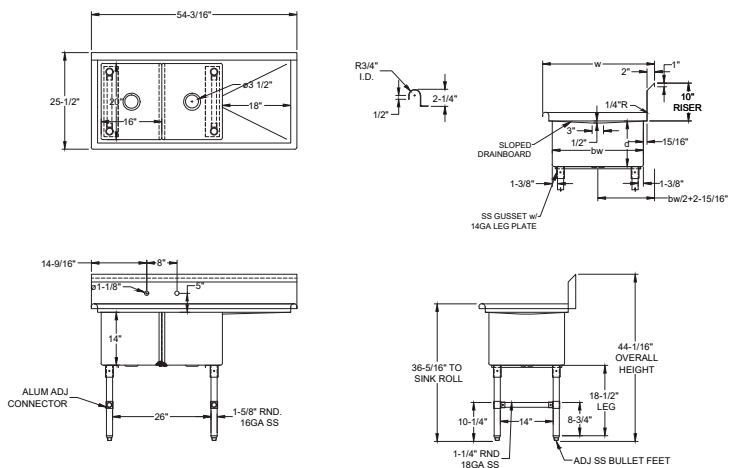
MATERIALS

- 16 Gauge 300 Series Stainless Steel; Fabricated
- Stainless Steel Legs, Gussets, Cross-Bracing, and Bullet Feet

**COMPATIBLE WITH
NEW NBR FAUCETS!**
SEE PAGE 75

FEATURES

- 10"H Backsplash with 2" Return to Wall
- 8" On-Center Wall-Mounted Faucet Holes
- 3-1/2" Die-Stamped Drain Opening With Drain Baskets Included
 - One Drainboard (Right Side)
 - Cross-Bracing for Reinforced Support
 - Adjustable Bullet Feet



MODEL NUMBER	BOWL SIZE L X W X H	LENGTH	WIDTH	DRAINBOARD SIZE
2SS-162014R18	16" x 20" x 14"	54-3/16"	25-1/2"	18"
2SS-181814R18	18" x 18" x 14"	58-3/16"	23-1/2"	18"
2SS-182414R18	18" x 24" x 14"	58-3/16"	29-1/2"	18"
2SS-242414R24	24" x 24" x 14"	76-3/16"	29-1/2"	24"

(609) 642 - 8389 | SALES@NBREQUIPMENT.COM | WWW.NBREQUIPMENT.COM
NBR EQUIPMENT, 10 ABEEL ROAD, CRANBURY, NJ 08512

PREMIUM 2-BOWL 2-DRAINBOARD SINK

SINKS - 2 BOWLS

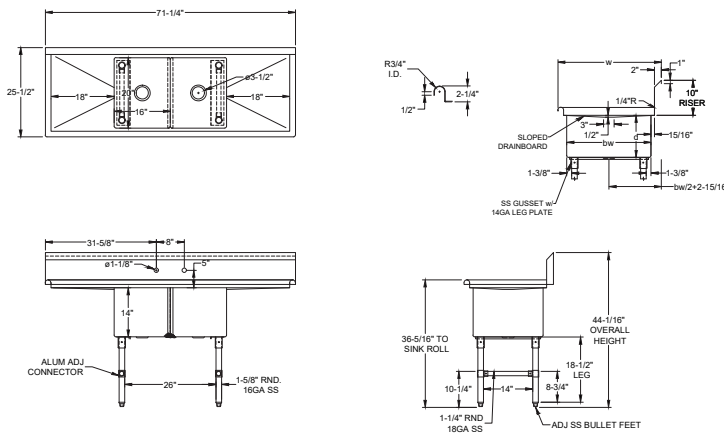


MATERIALS

- 16 Gauge 300 Series Stainless Steel; Fabricated
- Stainless Steel Legs, Gussets, Cross-Bracing, and Bullet Feet



**COMPATIBLE WITH
NEW NBR FAUCETS!**
SEE PAGE 75



FEATURES

- 10"H Backsplash with 2" Return to Wall
- 8" On-Center Wall-Mounted Faucet Holes
- 3-1/2" Die-Stamped Drain Opening With Drain Baskets Included
- Two Drainboards (1 on Each Side)
- Cross-Bracing for Reinforced Support
- Adjustable Bullet Feet

MODEL NUMBER	BOWL SIZE L X W X H	LENGTH	WIDTH	DRAINBOARD SIZE
2SS-162014LR18	16" x 20" x 14"	71-1/4"	25-1/2"	18"
2SS-181814LR18	18" x 18" x 14"	75-1/4"	23-1/2"	18"
2SS-182414LR18	18" x 24" x 14"	75-1/4"	29-1/2"	18"
2SS-242414LR24	24" x 24" x 14"	99-1/4"	29-1/2"	24"

(609) 642 - 8389 | SALES@NBREQUIPMENT.COM | WWW.NBREQUIPMENT.COM
NBR EQUIPMENT, 10 ABEEL ROAD, CRANBURY, NJ 08512

ECONOMY 2-BOWL SINK

SINKS - 2 BOWLS



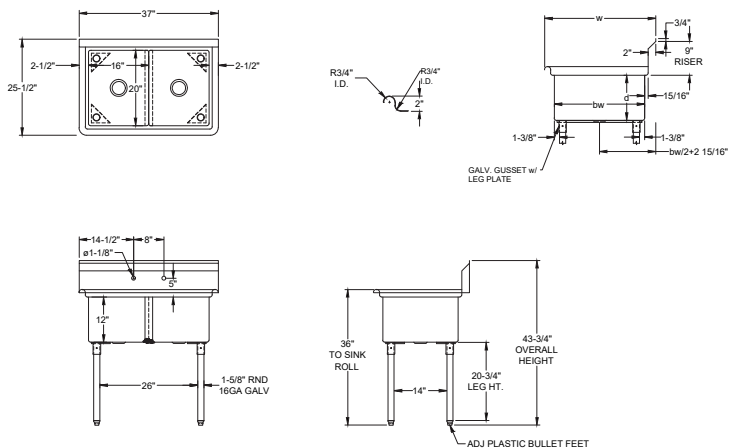
MATERIALS

- 18 Gauge 300 Series Stainless Steel; Fabricated
- Galvanized Legs and Gussets
- Plastic Bullet Feet

**COMPATIBLE WITH
NEW NBR FAUCETS!**
SEE PAGE 75

FEATURES

- 10"H Backsplash with 2" Return to Wall
- 8" On-Center Wall-Mounted Faucet Holes
- 3-1/2" Die-Stamped Drain Opening With Drain Baskets Included
 - Adjustable Bullet Feet



MODEL NUMBER	BOWL SIZE L X W X H	LENGTH	WIDTH
2SG-162012	16" x 20" x 12"	37"	25-1/2"
2SG-181812	18" x 18" x 12"	41"	23-1/2"
2SG-242414	24" x 24" x 14"	53"	29-1/2"

ECONOMY 2-BOWL 1-DRAINBOARD SINK (RIGHT)

SINKS - 2 BOWLS

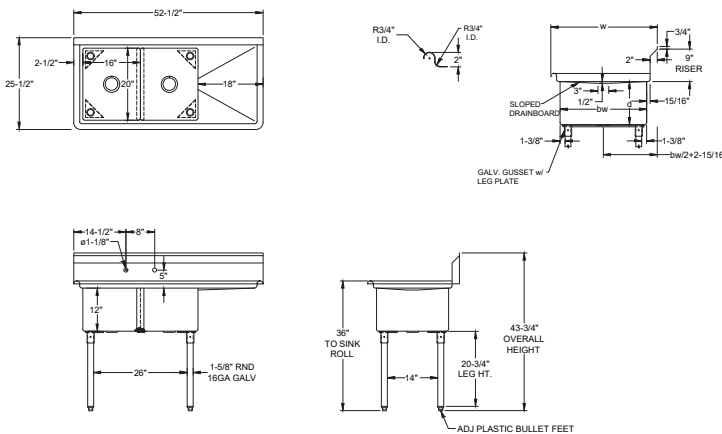


MATERIALS

- 18 Gauge 300 Series Stainless Steel; Fabricated
- Galvanized Legs and Gussets
 - Plastic Bullet Feet



**COMPATIBLE WITH
NEW NBR FAUCETS!
SEE PAGE 75**



FEATURES

- 10"H Backsplash with 2" Return to Wall
- 8" On-Center Wall-Mounted Faucet Holes
- 3-1/2" Die-Stamped Drain Opening With Drain Baskets Included
- One Drainboard (Right Side)
- Adjustable Bullet Feet

MODEL NUMBER	BOWL SIZE L X W X H	LENGTH	WIDTH	DRAINBOARD SIZE
2SG-162012R18	16" x 20" x 12"	52-1/2"	25-1/2"	18"
2SG-181812R18	18" x 18" x 12"	56-1/2"	23-1/2"	18"
2SG-242414R24	24" x 24" x 14"	74-1/2"	29-1/2"	24"

ECONOMY 2-BOWL 1-DRAINBOARD SINK (LEFT)

SINKS - 2 BOWLS



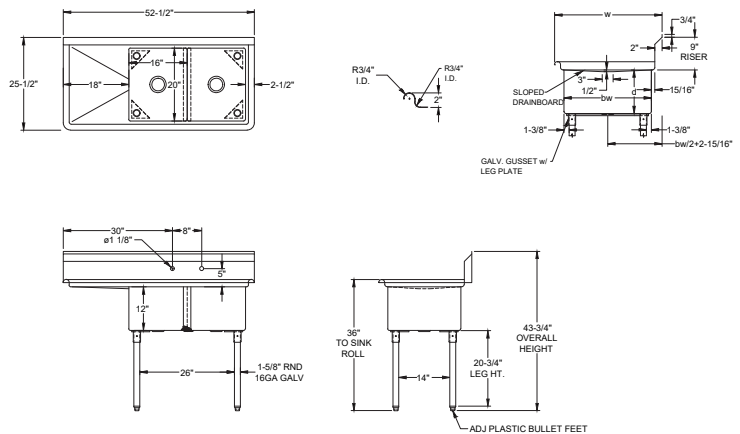
MATERIALS

- 18 Gauge 300 Series Stainless Steel; Fabricated
- Galvanized Legs and Gussets
- Plastic Bullet Feet

**COMPATIBLE WITH
NEW NBR FAUCETS!**
SEE PAGE 75

FEATURES

- 10"H Backsplash with 2" Return to Wall
- 8" On-Center Wall-Mounted Faucet Holes
- 3-1/2" Die-Stamped Drain Opening With Drain Baskets Included
 - One Drainboard (Left Side)
 - Adjustable Bullet Feet



MODEL NUMBER	BOWL SIZE L X W X H	LENGTH	WIDTH	DRAINBOARD SIZE
2SG-162012L18	16" x 20" x 12"	52-1/2"	25-1/2"	18"
2SG-181812L18	18" x 18" x 12"	56-1/2"	23-1/2"	18"
2SG-242414L24	24" x 24" x 14"	74-1/2"	29-1/2"	24"

ECONOMY 2-BOWL 2-DRAINBOARD SINK



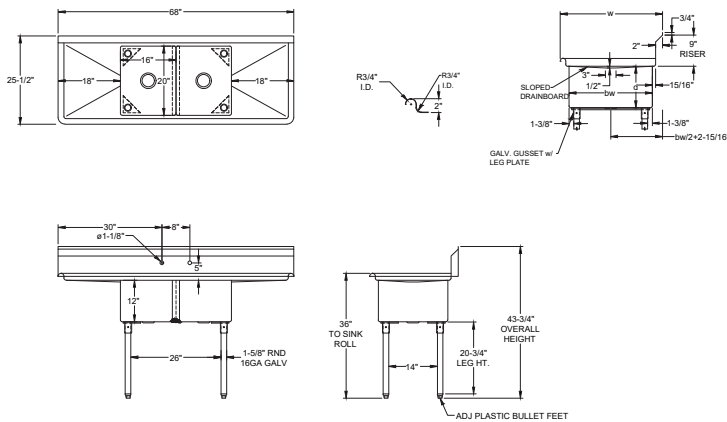
SINKS - 2 BOWLS

MATERIALS

- 18 Gauge 300 Series Stainless Steel; Fabricated
- Galvanized Legs and Gussets
 - Plastic Bullet Feet



**COMPATIBLE WITH
NEW NBR FAUCETS!
SEE PAGE 75**



FEATURES

- 10"H Backsplash with 2" Return to Wall
- 8" On-Center Wall-Mounted Faucet Holes
- 3-1/2" Die-Stamped Drain Opening With Drain Baskets Included
- Two Drainboards (1 on Each Side)
- Adjustable Bullet Feet

MODEL NUMBER	BOWL SIZE L X W X H	LENGTH	WIDTH	DRAINBOARD SIZE
2SG-162012LR18	16" x 20" x 12"	68"	25-1/2"	18"
2SG-181812LR18	18" x 18" x 12"	72"	23-1/2"	18"
2SG-202012LR18	20" x 20" x 12"	76"	25-1/2"	18"
2SG-242414LR24	24" x 24" x 14"	96"	29-1/2"	24"

(609) 642 - 8389 | SALES@NBREQUIPMENT.COM | WWW.NBREQUIPMENT.COM
NBR EQUIPMENT, 10 ABEEL ROAD, CRANBURY, NJ 08512

PREMIUM 3-BOWL SINK

SINKS - 3 BOWLS



MATERIAL

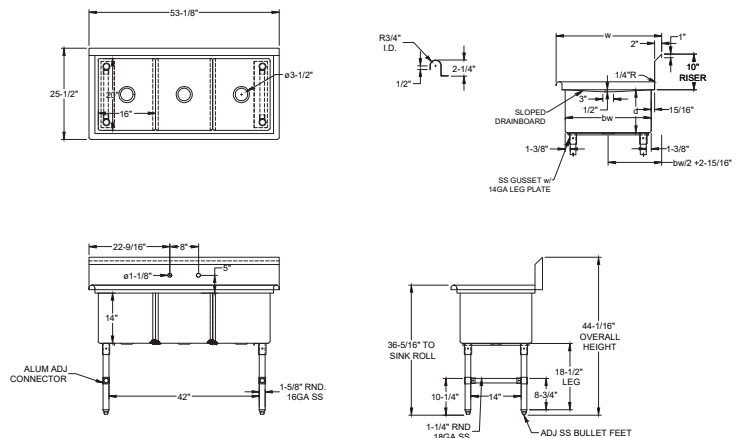
- 16 Gauge 300 Series Stainless Steel; Fabricated
- Stainless Steel Legs, Gussets, Cross-Bracing, and Bullet Feet

**COMPATIBLE WITH
NEW NBR FAUCETS!**

SEE PAGE 75

FEATURES

- 10"H Backsplash with 2" Return to Wall
- 8" On-Center Wall-Mounted Faucet Holes (* Has 2 Sets)
- 3-1/2" Die-Stamped Drain Opening With Drain Baskets Included
 - Cross-Bracing for Reinforced Support
 - Adjustable Bullet Feet



MODEL NUMBER	BOWL SIZE L X W X H	LENGTH	WIDTH
3SS-162014	16" x 20" x 14"	53-1/8"	25-1/2"
3SS-181814	18" x 18" x 14"	59-1/8"	23-1/2"
3SS-182414	18" x 24" x 14"	59-1/8"	29-1/2"
3SS-203014	20" x 30" x 14"	65-1/8"	35-1/2"
3SS-242414*	24" x 24" x 14"	77-1/8"	29-1/2"

(609) 642 - 8389 | SALES@NBREQUIPMENT.COM | WWW.NBREQUIPMENT.COM

NBR EQUIPMENT, 10 ABEEL ROAD, CRANBURY, NJ 08512

PREMIUM 3-BOWL 1-DRAINBOARD SINK (LEFT)

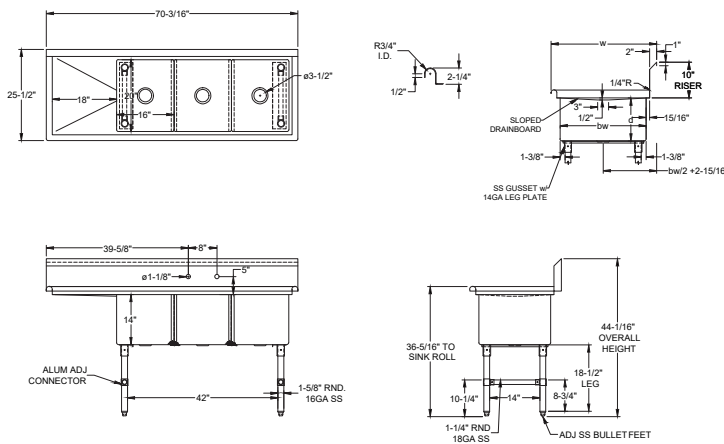
SINKS - 3 BOWLS



MATERIALS

- 16 Gauge 300 Series Stainless Steel; Fabricated
- Stainless Steel Legs, Gussets, Cross-Bracing, and Bullet Feet

**COMPATIBLE WITH
NEW NBR FAUCETS!**
SEE PAGE 75



FEATURES

- 10"H Backsplash with 2" Return to Wall
- 8" On-Center Wall-Mounted Faucet Holes (* Has 2 Sets)
- 3-1/2" Die-Stamped Drain Opening With Drain Baskets Included
- One Drainboard (Left Side)
- Cross-Bracing for Reinforced Support
- Adjustable Bullet Feet

MODEL NUMBER	BOWL SIZE L X W X H	LENGTH	WIDTH	DRAINBOARD SIZE
3SS-162014L18	16" x 20" x 14"	70-3/16"	25-1/2"	18"
3SS-181814L18	18" x 18" x 14"	76-3/16"	23-1/2"	18"
3SS-182414L18	18" x 24" x 14"	76-3/16"	29-1/2"	18"
3SS-203014L18	20" x 30" x 14"	82-3/16"	35-1/2"	18"
3SS-242414L18*	24" x 24" x 14"	94-3/16"	29-1/2"	18"
3SS-242414L24*	24" x 24" x 14"	100-3/16"	29-1/2"	24"

PREMIUM 3-BOWL 1-DRAINBOARD SINK (RIGHT)

SINKS - 3 BOWLS



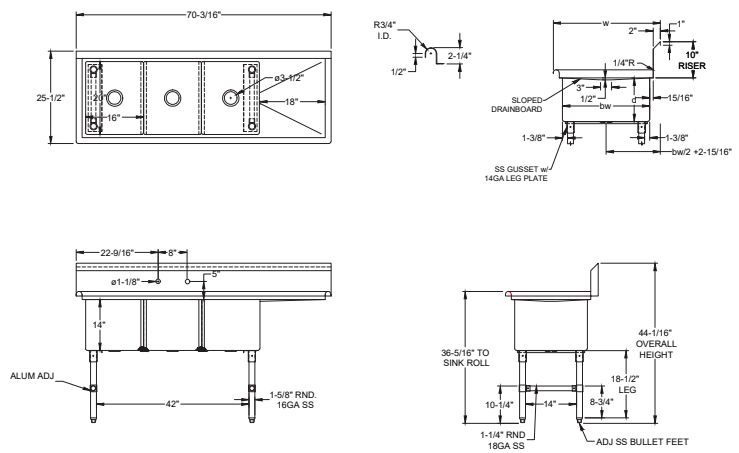
MATERIALS

- 16 Gauge 300 Series Stainless Steel; Fabricated
- Stainless Steel Legs, Gussets, Cross-Bracing, and Bullet Feet

**COMPATIBLE WITH
NEW NBR FAUCETS!**
SEE PAGE 75

FEATURES

- 10"H Backsplash with 2" Return to Wall
- 8" On-Center Wall-Mounted Faucet Holes (* Has 2 Sets)
- 3-1/2" Die-Stamped Drain Opening With Drain Baskets Included
 - One Drainboard (Right Side)
 - Cross-Bracing for Reinforced Support
 - Adjustable Bullet Feet



MODEL NUMBER	BOWL SIZE L X W X H	LENGTH	WIDTH	DRAINBOARD SIZE
3SS-162014R18	16" x 20" x 14"	70- ³ / ₁₆ "	25- ¹ / ₂ "	18"
3SS-181814R18	18" x 18" x 14"	76- ³ / ₁₆ "	23- ¹ / ₂ "	18"
3SS-182414R18	18" x 24" x 14"	76- ³ / ₁₆ "	29- ¹ / ₂ "	18"
3SS-203014R18	20" x 30" x 14"	82- ³ / ₁₆ "	35- ¹ / ₂ "	18"
3SS-242414R18*	24" x 24" x 14"	96- ³ / ₁₆ "	29- ¹ / ₂ "	18"
3SS-242414R24*	24" x 24" x 14"	100- ³ / ₁₆ "	29- ¹ / ₂ "	24"

PREMIUM 3-BOWL 2-DRAINBOARD SINK

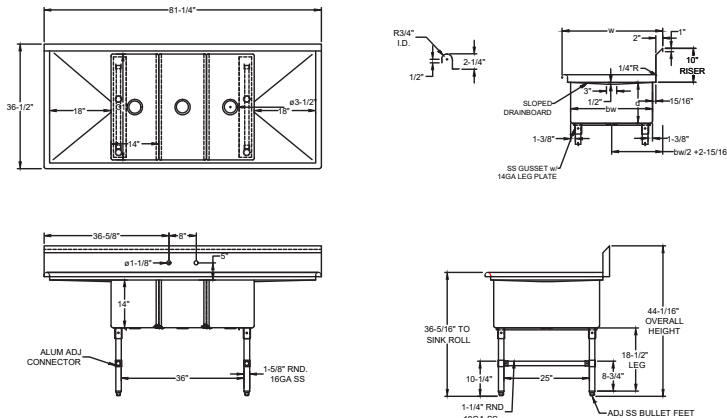
SINKS - 3 BOWLS



MATERIALS

- 16 Gauge 300 Series Stainless Steel; Fabricated
- Stainless Steel Legs, Gussets, Cross-Bracing, and Bullet Feet

**COMPATIBLE WITH
NEW NBR FAUCETS!
SEE PAGE 75**



FEATURES

- 10"H Backsplash with 2" Return to Wall
- 8" On-Center Wall-Mounted Faucet Holes (* Has 2 Sets)
- 3-1/2" Die-Stamped Drain Opening With Drain Baskets Included
- Two Drainboards (1 on Each Side)
- Cross-Bracing for Reinforced Support
- Adjustable Bullet Feet

MODEL NUMBER	BOWL SIZE L X W X H	LENGTH	WIDTH	DRAINBOARD SIZE
3SS-143114LR18	14" x 31" x 14"	81-1/4"	36-1/2"	18"
3SS-162014LR18	16" x 20" x 14"	87-1/4"	25-1/2"	18"
3SS-162014LR24	16" x 20" x 14"	99-1/4"	25-1/2"	24"
3SS-162014LR36	16" x 20" x 14"	123-1/4"	25-1/2"	36"
3SS-181814LR18	18" x 18" x 14"	93-1/4"	23-1/2"	18"
3SS-182414LR18	18" x 24" x 14"	93-1/4"	29-1/2"	18"
3SS-182414LR24	18" x 24" x 14"	105-1/4"	29-1/2"	24"
3SS 203014LR20	20" x 30" x 14"	103-1/4"	35-1/2"	20"
3SS-203014LR24	20" x 30" x 14"	111-1/4"	35-1/2"	24"
3SS-203014LR30	20" x 30" x 14"	123-1/4"	35-1/2"	30"
3SS-242414LR24*	24" x 24" x 14"	123-1/4"	29-1/2"	24"

ECONOMY 3-BOWL SINK

SINKS - 3 BOWLS



MATERIALS

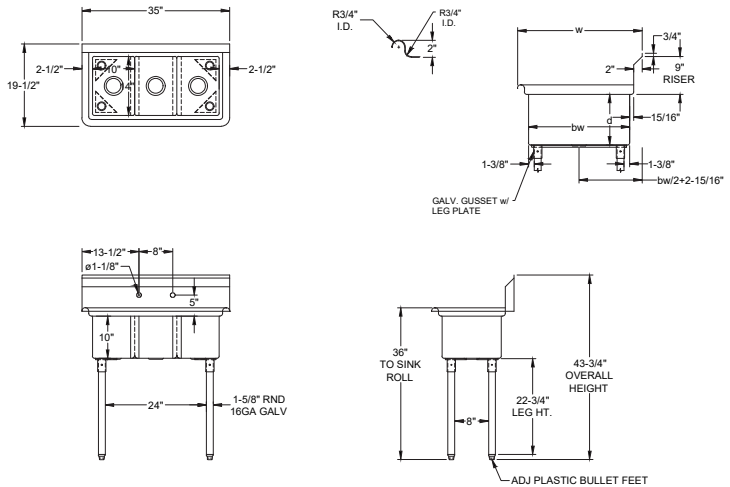
- 18 Gauge 300 Series Stainless Steel; Fabricated
- Galvanized Legs and Gussets
- Plastic Bullet Feet

**COMPATIBLE WITH
NEW NBR FAUCETS!**

SEE PAGE 75

FEATURES

- 10"H Backsplash with 2" Return to Wall
- 8" On-Center Wall-Mounted Faucet Holes (* Has 2 Sets)
- 3-1/2" Die-Stamped Drain Opening With Drain Baskets Included
 - Adjustable Bullet Feet



MODEL NUMBER	BOWL SIZE L X W X H	LENGTH	WIDTH
3SG-101410	10" x 14" x 10"	35"	19-1/2"
3SG-151514	15" x 15" x 14"	50"	20-1/2"
3SG-162012	16" x 20" x 12"	53"	25-1/2"
3SG-181812	18" x 18" x 12"	59"	23-1/2"
3SG-242414*	24" x 24" x 14"	77"	29-1/2"

(609) 642 - 8389 | SALES@NBREQUIPMENT.COM | WWW.NBREQUIPMENT.COM
NBR EQUIPMENT, 10 ABEEL ROAD, CRANBURY, NJ 08512

ECONOMY 3-BOWL 1-DRAINBOARD SINK (RIGHT)

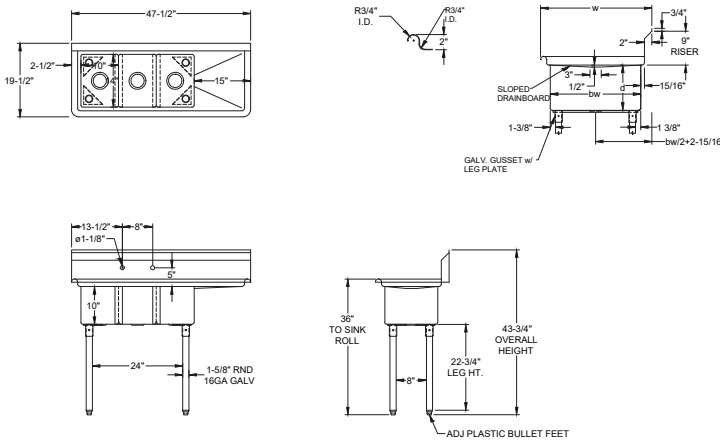
SINKS - 3 BOWLS



MATERIALS

- 18 Gauge 300 Series Stainless Steel; Fabricated
- Galvanized Legs and Gussets
 - Plastic Bullet Feet

**COMPATIBLE WITH
NEW NBR FAUCETS!
SEE PAGE 75**



FEATURES

- 10"H Backsplash with 2" Return to Wall
- 8" On-Center Wall-Mounted Faucet Holes (* Has 2 Sets)
- 3-1/2" Die-Stamped Drain Opening With Drain Baskets Included
- One Drainboard (Right Side)
- Adjustable Bullet Feet

MODEL NUMBER	BOWL SIZE L X W X H	LENGTH	WIDTH	DRAINBOARD SIZE
3SG-101410R15	10" x 14" x 10"	47-1/2"	19-1/2"	15"
3SG-151514R15	15" x 15" x 14"	62-1/2"	20-1/2"	15"
3SG-151514R24	15" x 15" x 14"	71-1/2"	20-1/2"	24"
3SG-162012R18	16" x 20" x 12"	68-1/2"	25-1/2"	18"
3SG-181812R18	18" x 18" x 12"	74-1/2"	23-1/2"	18"
3SG-182414R24	18" x 24" x 14"	80-1/2"	29-1/2"	24"
3SG-242414R24*	24" x 24" x 14"	98-1/2"	29-1/2"	24"

ECONOMY 3-BOWL 1-DRAINBOARD SINK (LEFT)

SINKS - 3 BOWLS



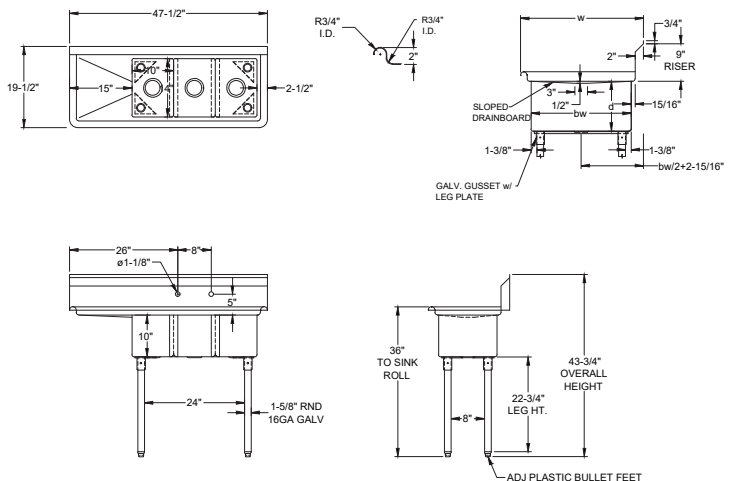
MATERIALS

- 18 Gauge 300 Series Stainless Steel; Fabricated
- Galvanized Legs and Gussets
- Plastic Bullet Feet

**COMPATIBLE WITH
NEW NBR FAUCETS!
SEE PAGE 75**

FEATURES

- 10"H Backsplash with 2" Return to Wall
- 8" On-Center Wall-Mounted Faucet Holes (* Has 2 Sets)
- 3-1/2" Die-Stamped Drain Opening With Drain Baskets Included
 - One Drainboard (Left Side)
 - Adjustable Bullet Feet



MODEL NUMBER	BOWL SIZE L X W X H	LENGTH	WIDTH	DRAINBOARD SIZE
3SG-101410L15	10" x 14" x 10"	47-1/2"	19-1/2"	15"
3SG-151514L15	15" x 15" x 14"	62-1/2"	20-1/2"	15"
3SG-162012L18	16" x 20" x 12"	68-1/2"	25-1/2"	18"
3SG-181812L18	18" x 18" x 12"	74-1/2"	23-1/2"	18"
3SG-182414L24	18" x 24" x 14"	80-1/2"	29-1/2"	24"
3SG-242414L24*	24" x 24" x 14"	98-1/2"	29-1/2"	24"

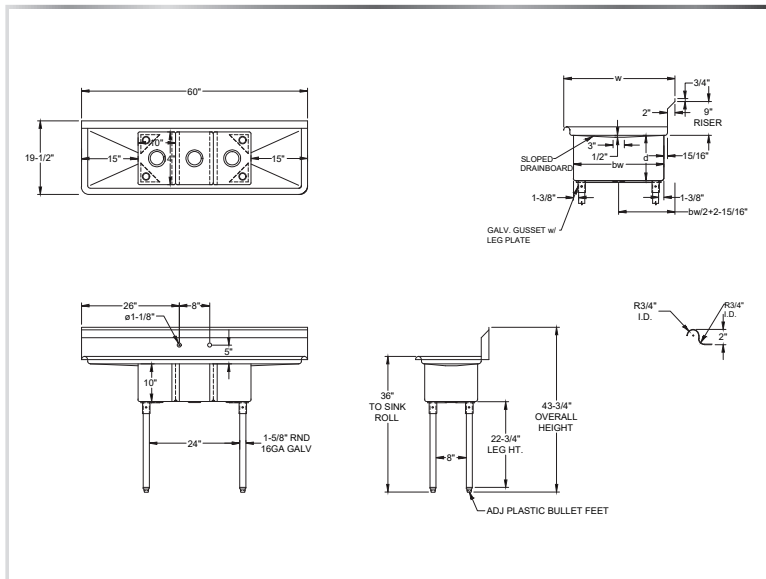
ECONOMY 3-BOWL 2-DRAINBOARD SINK

SINKS - 3 BOWLS



MATERIALS

- 18 Gauge 300 Series Stainless Steel; Fabricated
- Galvanized Legs and Gussets
 - Plastic Bullet Feet



FEATURES

- 10"H Backsplash with 2" Return to Wall
- 8" On-Center Wall-Mounted Faucet Holes (* Has 2 Sets)
- 3-1/2" Die-Stamped Drain Opening With Drain Baskets Included
- Two Drainboards (1 on Each Side)
- Adjustable Bullet Feet

MODEL NUMBER	BOWL SIZE L X W X H	LENGTH	WIDTH	DRAINBOARD SIZE
3SG-101410LR15	10" x 14" x 10"	60"	19-1/2"	15"
3SG-122012LR12	12" x 20" x 12"	60"	25-1/2"	12"
3SG-141612LR12	14" x 16" x 12"	66"	21-1/2"	12"
3SG-151514LR15	15" x 15" x 14"	75"	20-1/2"	15"
3SG-162012LR18	16" x 20" x 12"	84"	25-1/2"	18"
3SG-162014LR18	16" x 20" x 14"	84"	25-1/2"	18"
3SG-181812LR18	18" x 18" x 12"	90"	23-1/2"	18"
3SG-181814LR18	18" x 18" x 14"	90"	23-1/2"	18"
3SG-181814LR24	18" x 18" x 14"	102"	23-1/2"	24"
3SG-182414LR18	18" x 24" x 14"	90"	29-1/2"	18"
3SG-182414LR24	18" x 24" x 14"	102"	29-1/2"	24"
3SG-202012LR18	20" x 20" x 12"	96"	25-1/2"	18"
3SG-202014LR24	20" x 20" x 14"	108"	25-1/2"	24"
3SG-203012LR20	20" x 30" x 12"	100"	35-1/2"	20"
3SG-203014LR24	20" x 30" x 14"	108"	35-1/2"	24"
3SG-242414LR24*	24" x 24" x 14"	120"	29-1/2"	24"

PREMIUM 4-BOWL 2-DRAINBOARD SINK

SINKS - 4 BOWLS



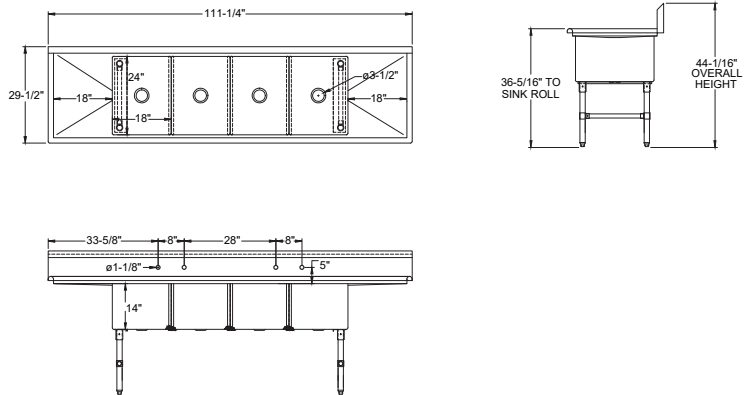
MATERIALS

- 16 Gauge 300 Series Stainless Steel; Fabricated
- Stainless Steel Legs, Gussets, Cross-Bracing, and Bullet Feet

**COMPATIBLE WITH
NEW NBR FAUCETS!**
SEE PAGE 75

FEATURES

- 10"H Backsplash with 2" Return to Wall
- Two Sets of 8" On-Center Wall-Mounted Faucet Holes
- 3-1/2" Die-Stamped Drain Opening With Drain Baskets Included
- Two Drainboards (1 on Each Side)
 - Cross-Bracing for Reinforced Support
 - Adjustable Bullet Feet



MODEL NUMBER	BOWL SIZE L X W X H	LENGTH	WIDTH	DRAINBOARD SIZE
4SS-182414LR18*	18" x 24" x 14"	111-1/4"	29-1/2"	18"

ECONOMY 4-BOWL 2-DRAINBOARD SINK

SINKS - 4 BOWLS

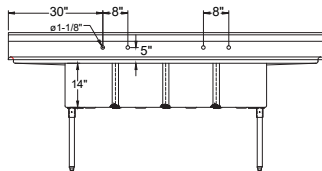
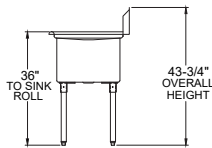
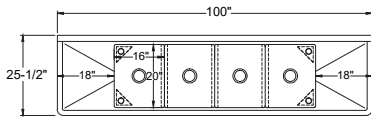


MATERIALS

- 18 Gauge 300 Series Stainless Steel; Fabricated
- Galvanized Legs and Gussets
 - Plastic Bullet Feet



**COMPATIBLE WITH
NEW NBR FAUCETS!**
SEE PAGE 75



FEATURES

- 10"H Backsplash with 2" Return to Wall
- 8" On-Center Wall-Mounted Faucet Holes (* Has 2 Sets)
- 3-1/2" Die-Stamped Drain Opening With Drain Baskets Included
- Two Drainboards (1 on Each Side)
- Adjustable Bullet Feet

MODEL NUMBER	BOWL SIZE L X W X H	LENGTH	WIDTH	DRAINBOARD SIZE
4SG-162014LR18*	16" x 20" x 14"	100"	25-1/2"	18"

ECONOMY 3-BOWL 2-DRAINBOARD CORNER SINK

SINKS - CORNER



MATERIALS

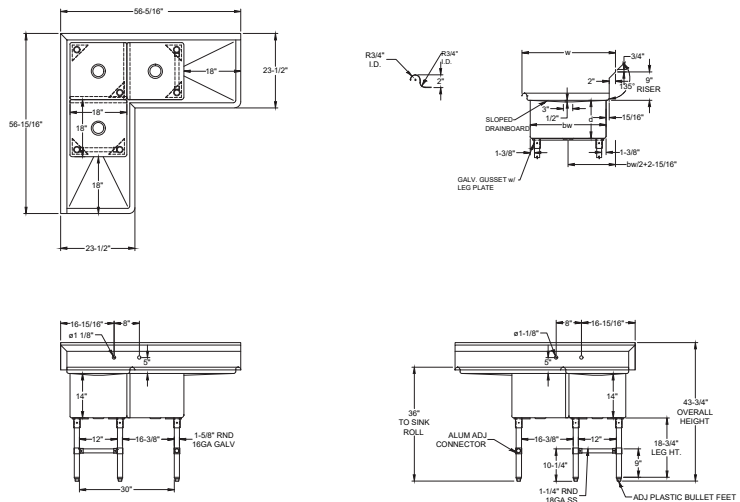
- 18 Gauge 300 Series Stainless Steel; Fabricated
- Galvanized Legs and Gussets
- Plastic Bullet Feet

**COMPATIBLE WITH
NEW NBR FAUCETS!**

SEE PAGE 75

FEATURES

- 9"H Backsplash with 2" Return to Wall
- Two Sets of 8" On-Center Wall-Mounted Faucet Holes
- 3-1/2" Die-Stamped Drain Opening With Drain Baskets Included
- Two Drainboards (1 on Each Side)
 - Coved Corners at 3/4" Radius
 - Adjustable Bullet Feet



MODEL NUMBER	BOWL SIZE L X W X H	LENGTH	WIDTH	DRAINBOARD SIZE
3CSG-181814LR18	18" x 18" x 14"	56-15/16"	23-1/2"	18"
3CSG-181814LR24	18" x 18" x 14"	62-15/16"	23-1/2"	24"
3CSG-242414LR24	24" x 24" x 14"	74-15/16"	29-1/2"	24"

(609) 642 - 8389 | SALES@NBREQUIPMENT.COM | WWW.NBREQUIPMENT.COM
NBR EQUIPMENT, 10 ABEEL ROAD, CRANBURY, NJ 08512

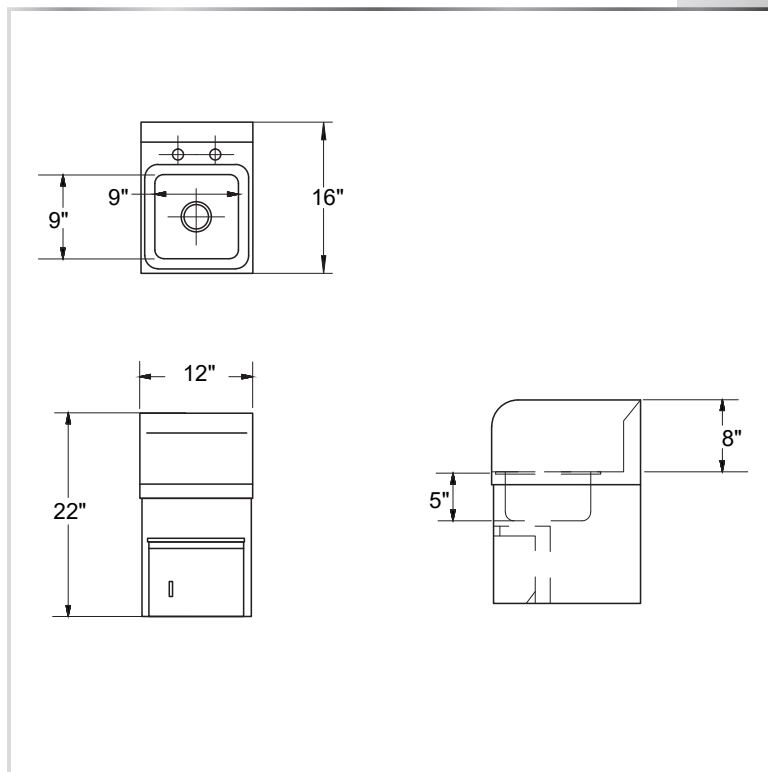
SPACE SAVING HAND SINK

SINKS - HAND



MATERIALS

- 18 Gauge 304 Series Stainless Steel; Fabricated



FEATURES

- 4" On-Center Deck-Mounted Faucet Holes
- 8" Side and Backsplashes
- Includes Towel Dispenser and Drain Basket (STN-2)

MODEL NUMBER

HS1-D2-S

HAND SINK SIZE

9" x 9" x 5"

DECK-MOUNT HAND SINK

SINKS - HAND

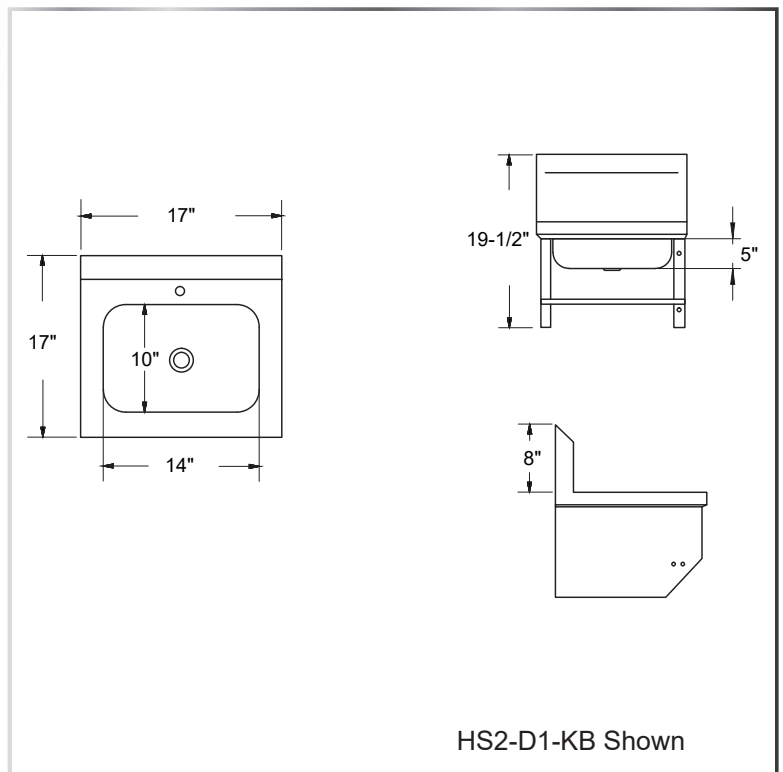


MATERIALS

- 18 Gauge 304 Series Stainless Steel; Fabricated

FEATURES

- Deck-Mounted Faucet Hole
 - 8" Backsplash
- Knee Valve Bracket For Hands-Free Operation
 - Stainless Side Skirts
- Drain Basket Included (STN-2)
- * Has Side And Backsplashes



MODEL NUMBER

HS2-D1-KB

HS2-D1-LR-KB*

HAND SINK SIZE

14" x 10" x 5"

14" x 10" x 5"

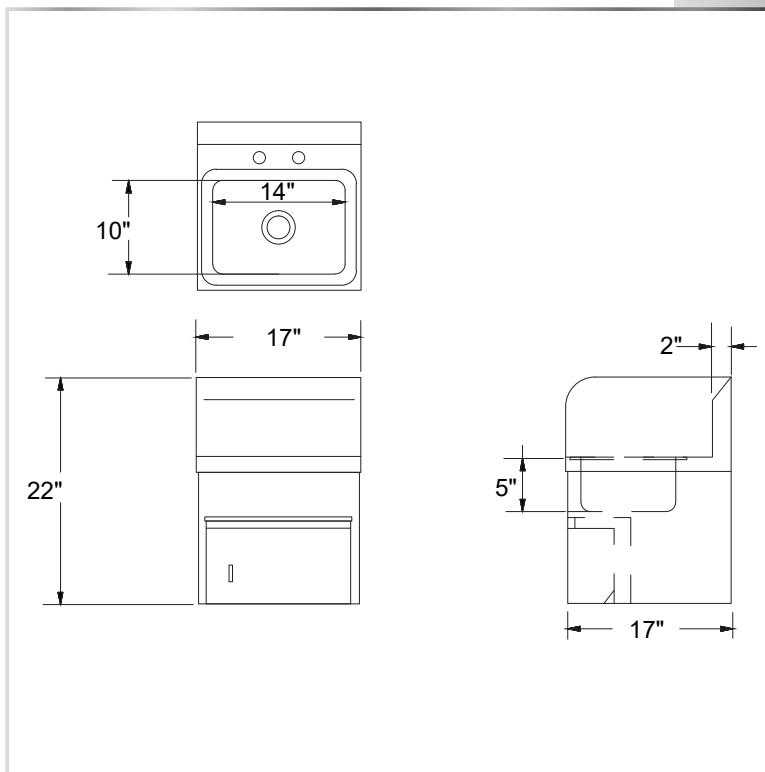
DECK-MOUNT HAND SINK

SINKS - HAND



MATERIALS

- 18 Gauge 304 Series Stainless Steel; Fabricated



FEATURES

- 4" On-Center Deck-Mounted Faucet Holes
- Side and Backsplashes
- Includes Towel Dispenser and Drain Basket (STN-2)

MODEL NUMBER

HS2-D2-S

HAND SINK SIZE

14" x 10" x 5"

WALL-MOUNT HAND SINK

SINKS - HAND

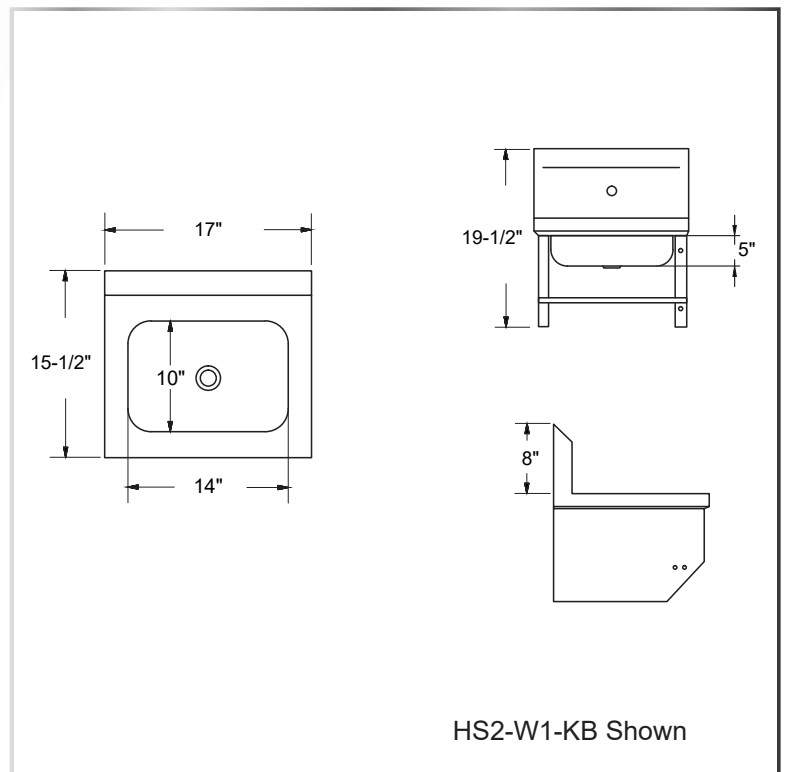


MATERIALS

- 18 Gauge 304 Series Stainless Steel; Fabricated

FEATURES

- Wall-Mounted Hole For Faucet
 - 8" Backsplash
- Knee Valve Bracket For Hands-Free Operation
 - Includes Drain (STN-2)
 - * Has Side And Backsplashes



MODEL NUMBER	HAND SINK SIZE
HS2-W1-KB	14" x 10" x 5"
HS2-W1-LR-KB*	14" x 10" x 5"

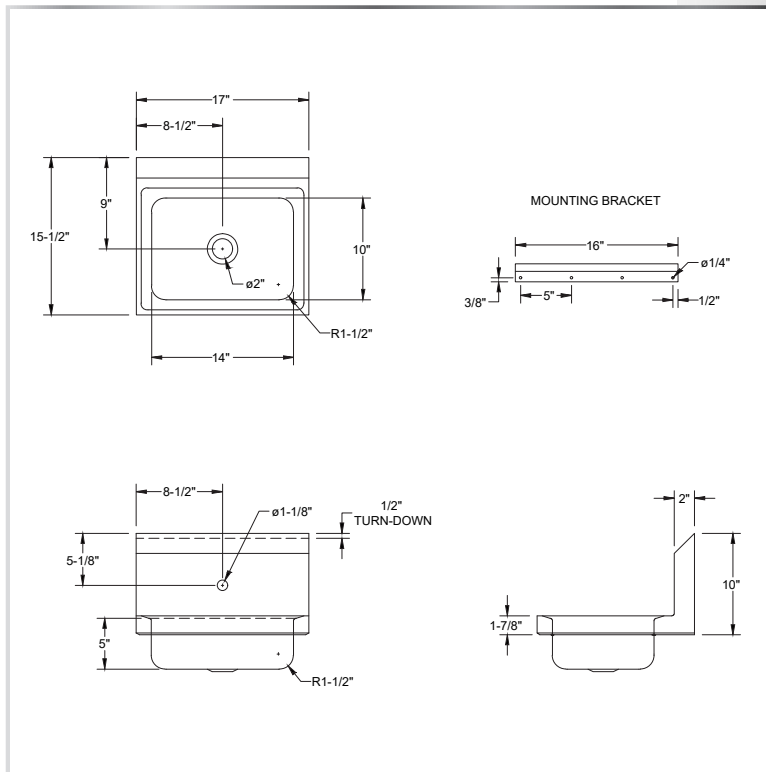
WALL-MOUNT HAND SINK

SINKS - HAND



MATERIALS

- 18 Gauge 304 Series Stainless Steel; Fabricated



FEATURES

- Wall-Mounted Hole For Faucet
- 8" Backsplash
- Includes Drain (STN-2) and Mounting Kit

MODEL NUMBER

HS2-W1

HAND SINK SIZE

14" x 10" x 5"

WALL-MOUNT HAND SINK

SINKS - HAND



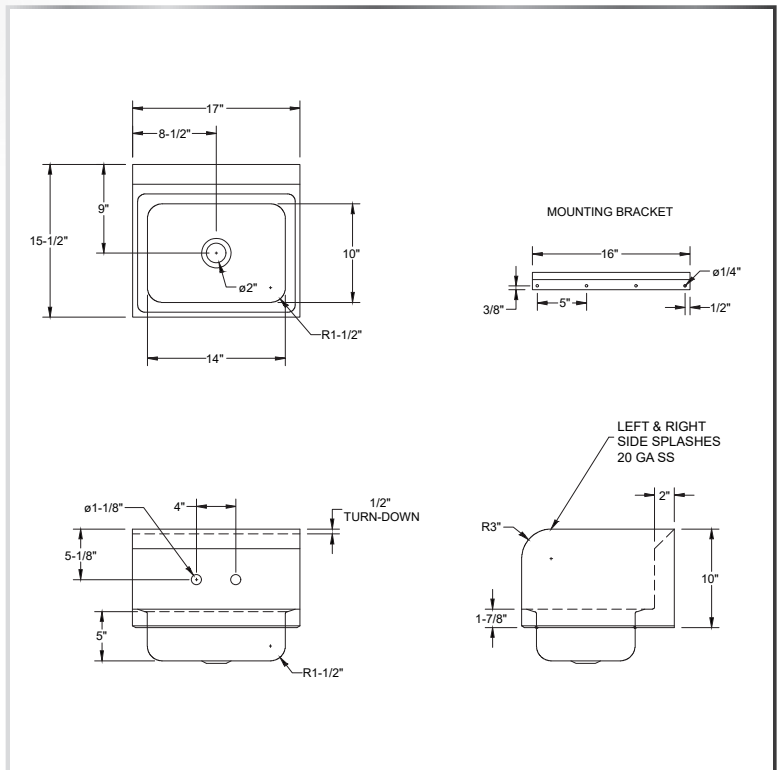
HS2-W2-LR Pictured

MATERIALS

- 18 Gauge 304 Series Stainless Steel; Fabricated

FEATURES

- 4" On-Center Wall-Mounted Holes For Faucet
 - 8" Backsplash
 - Includes Drain (STN-2) and Mounting Kit
 - * Has Side And Backsplashes



MODEL NUMBER	HAND SINK SIZE
HS2-W2-LR*	14" x 10" x 5"
HS2-W2	14" x 10" x 5"

WALL-MOUNT SPACE SAVER HAND SINK

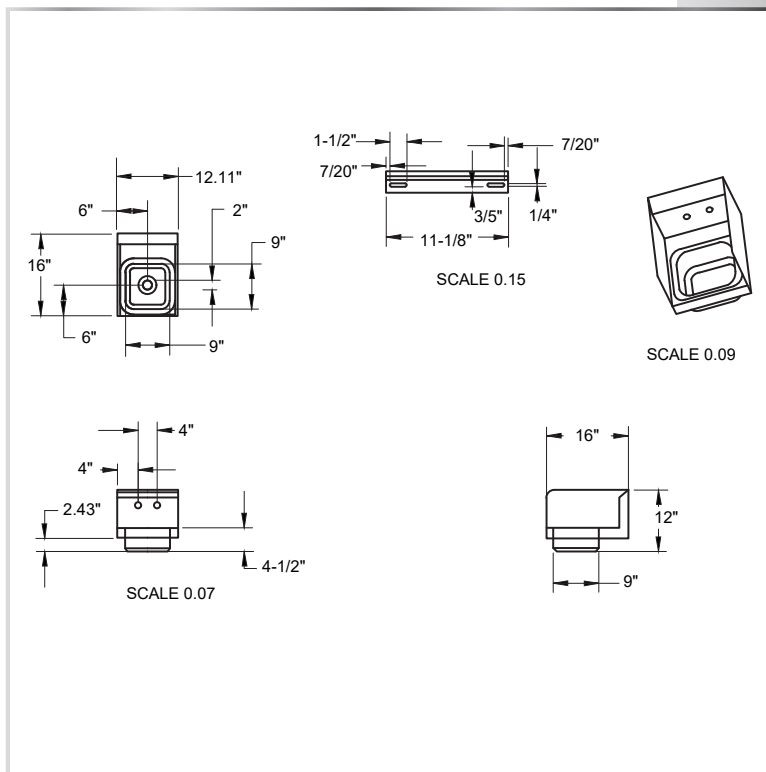


SINKS - HAND



MATERIALS

- 18 Gauge 304 Series Stainless Steel; Fabricated



FEATURES

- Marine Edges
- 4" On-Center Wall-Mounted Faucet Holes
- 7-1/2" Splashes On Sides and Rear
- Includes Drain Basket (STN-2) and Mounting Kit

MODEL NUMBER

HS1-W2-LR

HAND SINK SIZE

9" x 9" x 5"

WALL-MOUNT SPACE SAVER HAND SINK WITH DISPENSERS

SINKS - HAND

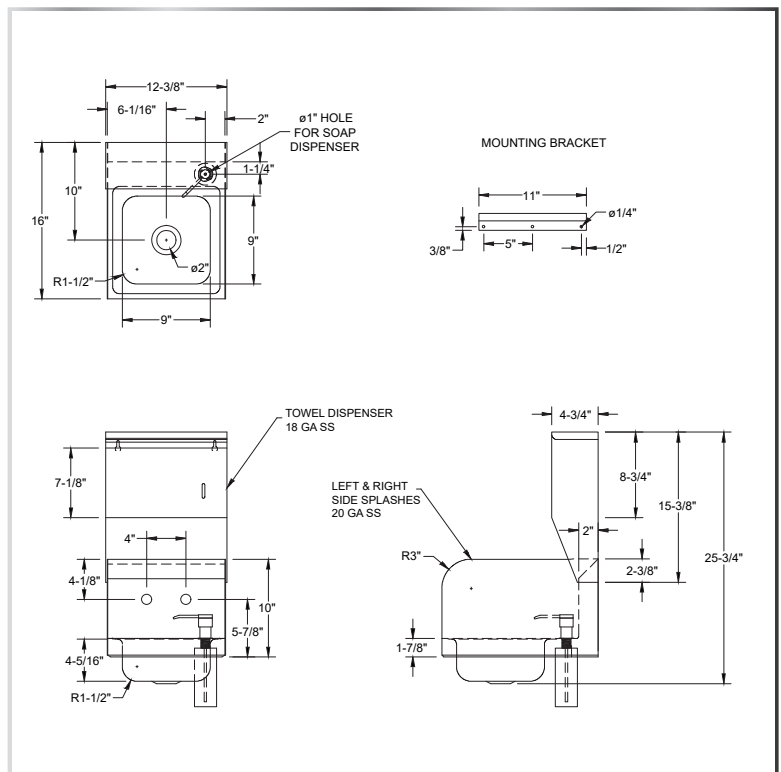


MATERIALS

- 18 Gauge 304 Series Stainless Steel; Fabricated

FEATURES

- Marine Edges
- 4" On-Center Wall-Mounted Faucet Holes
 - Side and Backsplashes
- Includes Towel Dispenser, Soap Dispenser, Mounting Kit and Drain Basket (STN-2)



MODEL NUMBER

HS1-W2-LR-TD

HAND SINK SIZE

9" x 9" x 5"

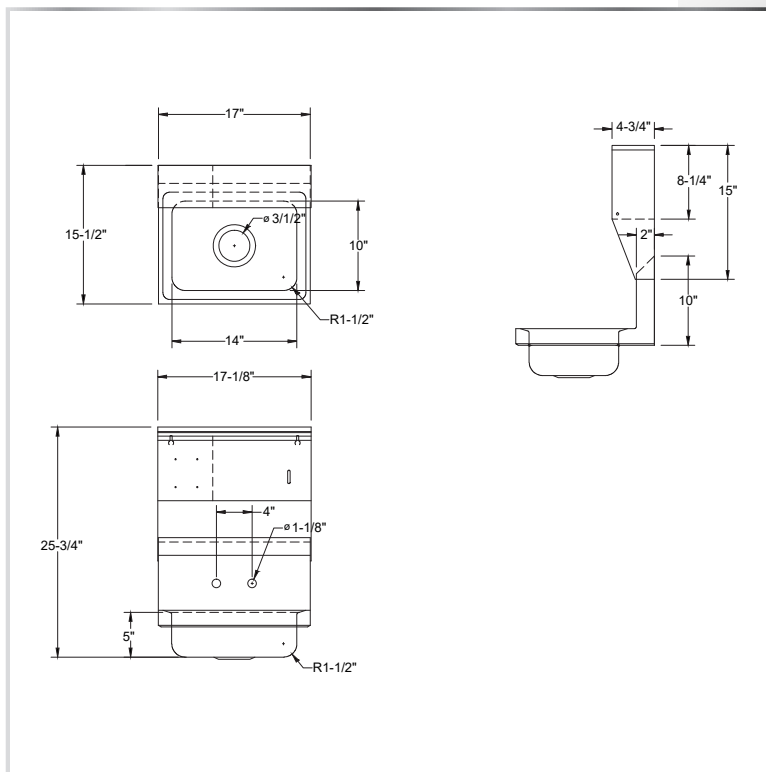
WALL-MOUNT HAND SINK

SINKS - HAND



MATERIALS

- 18 Gauge 304 Series Stainless Steel; Fabricated



FEATURES

- 4" On-Center Wall-Mounted Faucet Holes
- 3-1/2" Drain Opening
- Includes Towel Dispenser, Soap Dispenser and Drain Basket (STN-4)

MODEL NUMBER

HS2-W2-4-TD

HAND SINK SIZE

14" x 10" x 5"

WALL-MOUNT PEDESTAL HAND SINK

UPDATED

SINKS - HAND

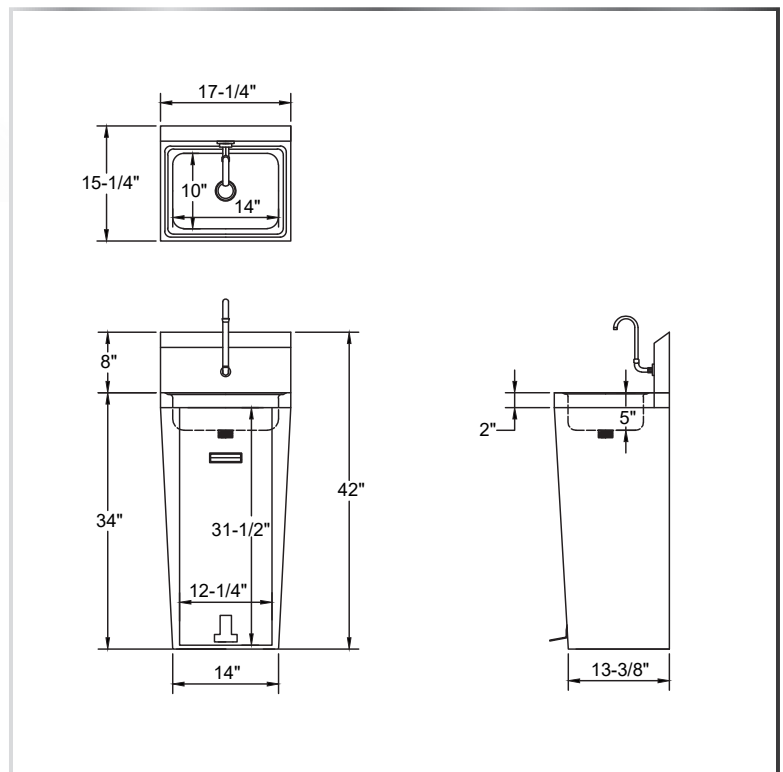


MATERIALS

- 18 Gauge 304 Series Stainless Steel; Fabricated

FEATURES

- **Wall-Mounted Gooseneck Faucet Now Included!**
- Stand With Pedestal Foot Valve For Hands-Free Operation
- Single Pedal Valves With 3/8" NPT Female Inlets
 - Includes Drain Basket (STN-2)



MODEL NUMBER

HS2-W1-PD

HAND SINK SIZE

14" x 10" x 5"

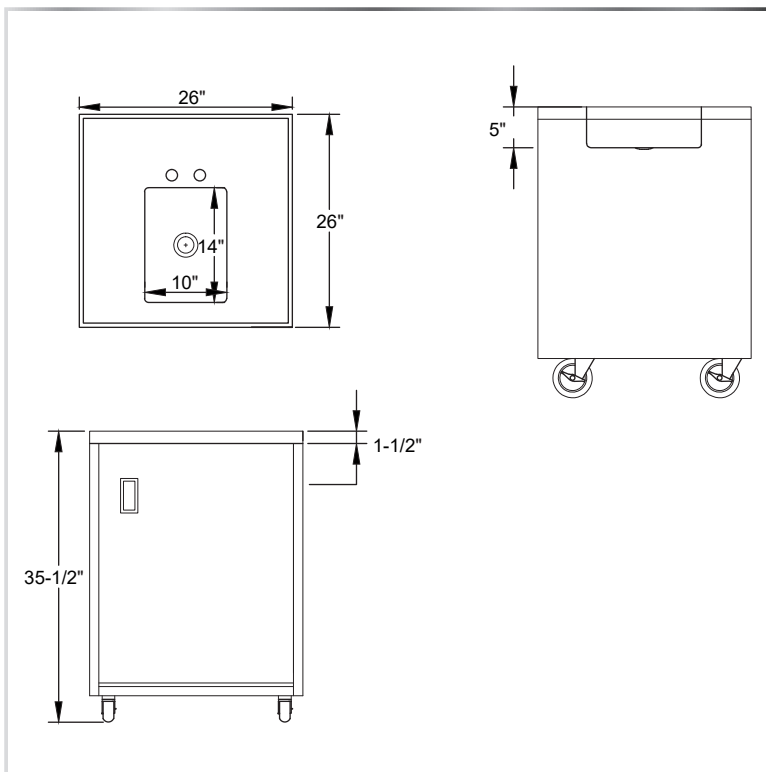
MOBILE HAND SINK

SINKS - MOBILE



MATERIALS

- 16 Gauge 304 Series Stainless Steel Top
- 18 Gauge 304 Series Stainless Steel Body
- Stainless Steel Drain and Strainer
 - One Removable 5 Gallon Plastic Container for Fresh Water
 - One Removable 7 Gallon Plastic Container for Waste Water



FEATURES

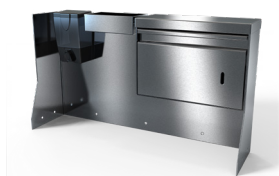
- Hinged Door With Latch
- 4" Plated Casters (2 with Brakes)
- **Optional Towel and Soap Dispenser Unit (TDU-26) (Pictured Below)**
- **Optional Hands-Free Faucet (F-HF) (Pictured Below)**

MODEL NUMBER	SIZE L X W X H	BOWL SIZE L X W X H
MHS-26	26" x 26" x 35-1/2"	10" x 14" x 5"

F-HF

Fully Assembled

TDU-26



MULTIPURPOSE HAND & UTILITY SINK

SINKS - MULTIPURPOSE

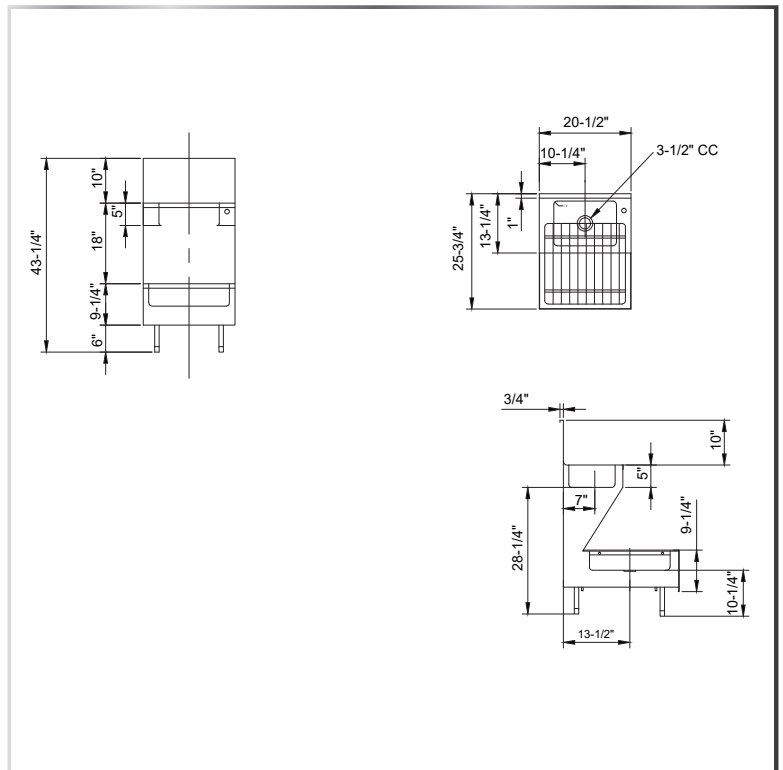


MATERIALS

- 14 Gauge 304 Series Stainless Steel Deck; Fabricated
- 18 Gauge 304 Series Stainless Steel Base; Fabricated
- Stainless Steel Legs and Grating

FEATURES

- 10" Backsplash
- Two 3-1/2" Drain Openings With Drain Baskets Included
 - 5" Deep Hand Sink
 - One Deck-Mounted Faucet Hole
 - One Front-Mounted Pot Filler Faucet Hole
 - 5" Deep Utility Sink With Marine Edges
 - Adjustable Bullet Feet



MODEL NUMBER	HAND SINK SIZE	UTILITY SINK SIZE	WIDTH	HEIGHT
HUSC-2025	14" x 10" x 5"	18" x 18" x 5"	20-1/2"	43-1/4"

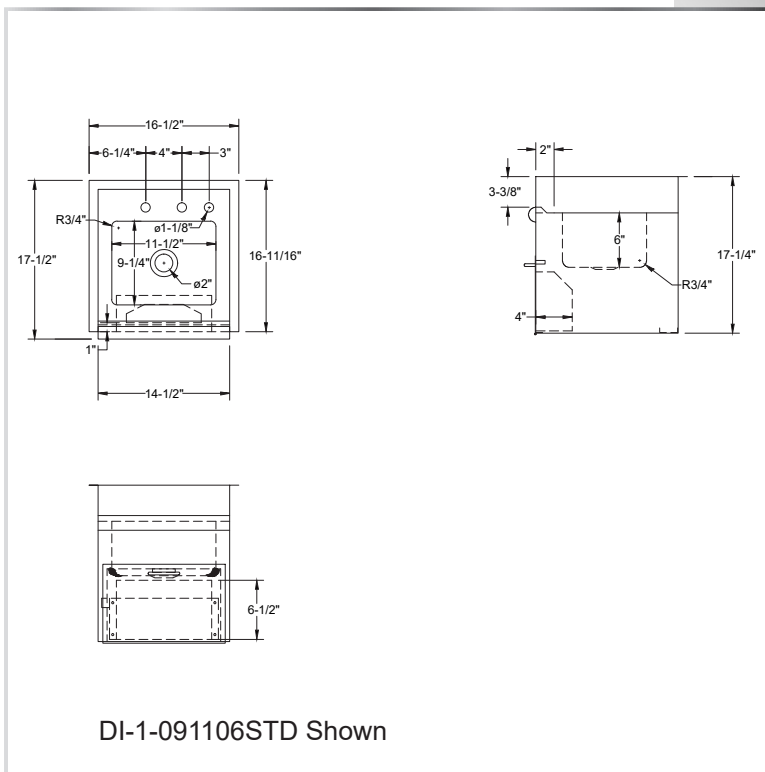
1-BOWL DROP-IN SINK

SINK BOWLS - DROP-IN



MATERIALS

- 18 Gauge 304 Series Stainless Steel; Fabricated



FEATURES

- 4" On-Center Deck-Mounted Faucet Holes
- 2" Drain Opening With Drain Basket Included
- Side and Backsplashes
- Includes Towel Dispenser (* Also Includes Soap Dispenser)

MODEL NUMBER	BOWL SIZE L X W X H	LENGTH	WIDTH
DI-1-091106STD*	9-1/4" x 11-1/2" x 6"	16-1/2"	17-1/2"
DI-1-091106TD	9-1/4" x 11-1/2" x 6"	16-1/2"	17-1/2"

1-BOWL DROP-IN SINK

SINK BOWLS - DROP-IN



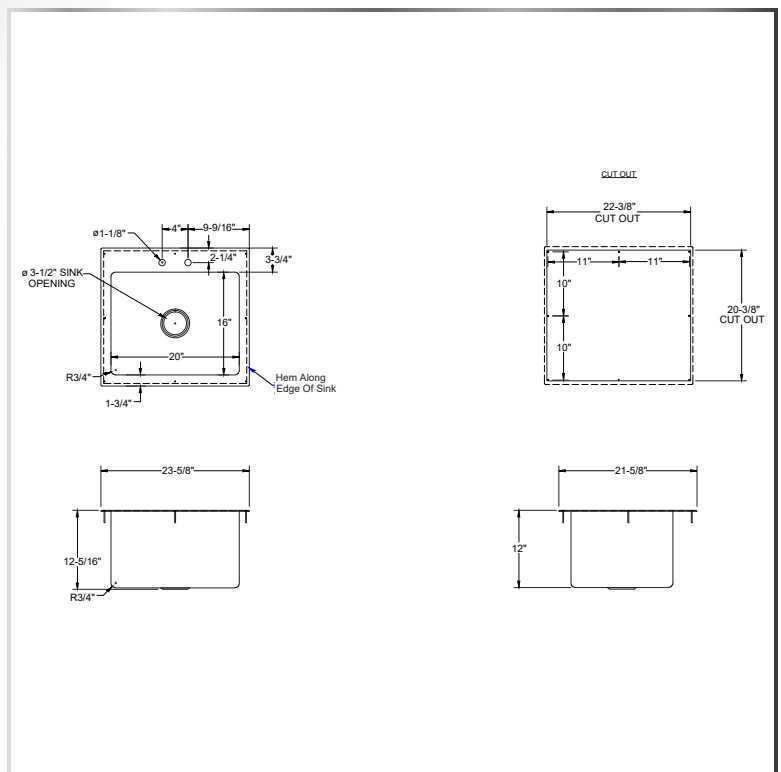
DI-1-101405LR Pictured

MATERIALS

- Stainless Steel; Fabricated

FEATURES

- 4" On-Center Deck-Mounted Faucet Holes
- 3-1/2" Drain Opening With Drain Basket Included
- Safety Hem Along Sink Edges
- * Has Side and Backsplashes



MODEL NUMBER	BOWL SIZE L X W X H	LENGTH	WIDTH
DI-1-101405LR*	10" x 14" x 5"	12-5/8"	18-1/2"
DI-1-101410LR*	10" x 14" x 10"	12-1/2"	18-1/2"
DI-1-101410	10" x 14" x 10"	12-1/8"	18-1/2"
DI-1-201608	20" x 16" x 8"	23-5/8"	21-5/8"
DI-1-201612	20" x 16" x 12"	23-5/8"	21-5/8"
DI-1-282012	28" x 20" x 12"	31-5/8"	25-5/8"

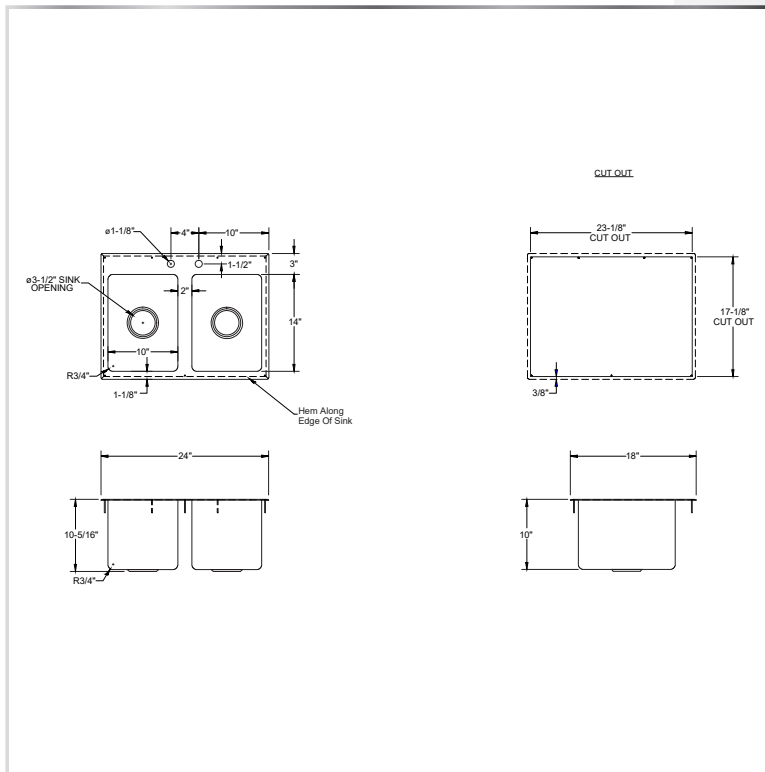
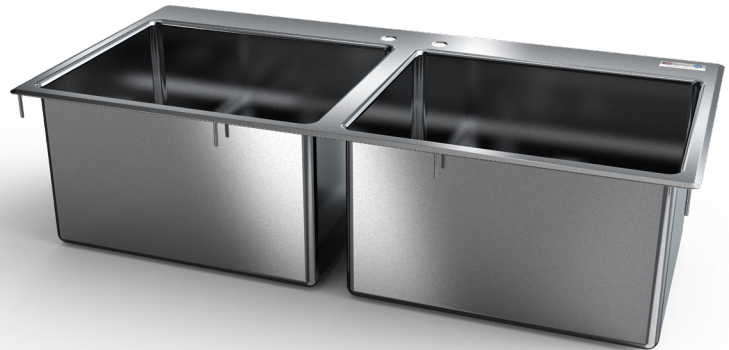
2-BOWL DROP-IN SINK

SINK BOWLS - DROP-IN



MATERIALS

- Stainless Steel; Fabricated



FEATURES

- 4" On-Center Deck-Mounted Faucet Holes
- 3-1/2" Drain Opening With Drain Basket Included
- Safety Hem Along Sink Edges

MODEL NUMBER	BOWL SIZE L X W X H	LENGTH	WIDTH
DI-2-101410	10" x 14" x 10"	24"	18"
DI-2-141612	14" x 16" x 12"	33"	22"
DI-2-201612	20" x 16" x 12"	45"	22"

3-BOWL DROP-IN SINK

SINK BOWLS - DROP-IN



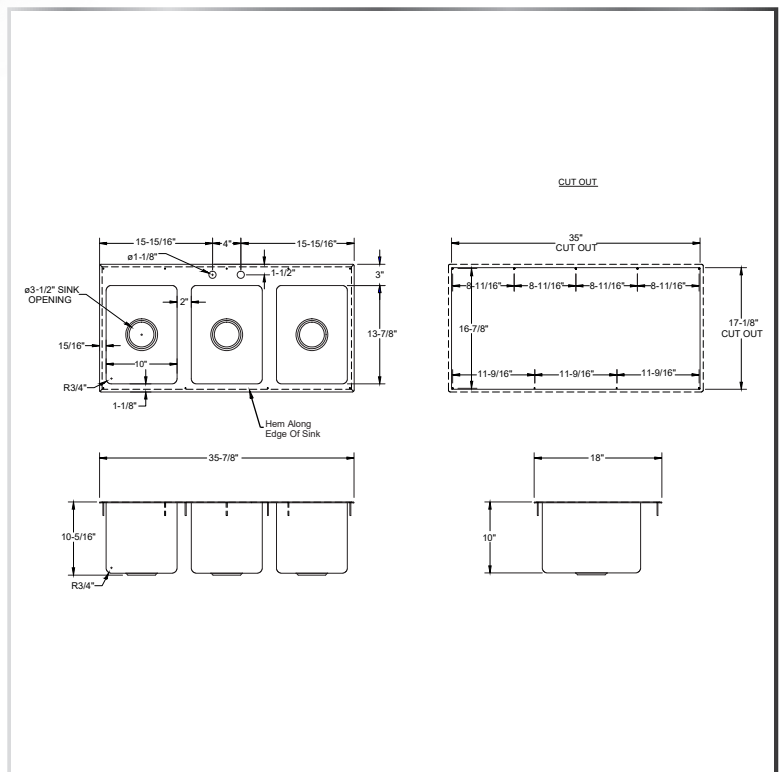
MATERIALS

- Stainless Steel; Fabricated



FEATURES

- 4" On-Center Deck-Mounted Faucet Holes
- 3-1/2" Drain Opening With Drain Basket Included
- Safety Hem Along Sink Edges



MODEL NUMBER	BOWL SIZE L X W X H	LENGTH	WIDTH
DI-3-101410	10" x 14" x 10"	35-7/8"	18"
DI-3-162012	16" x 20" x 12"	54"	24"

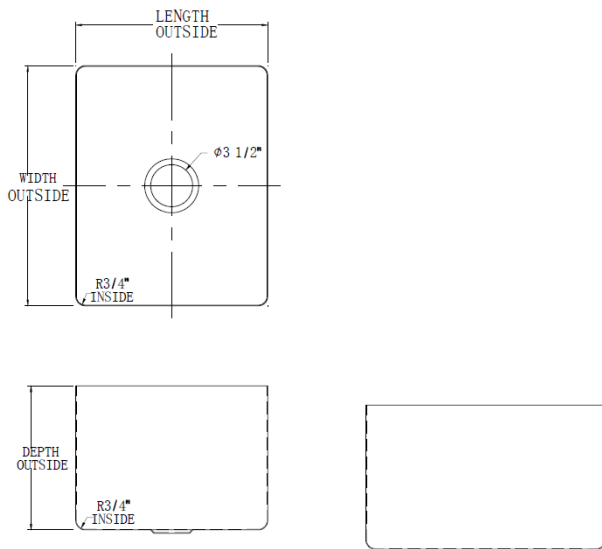
PREMIUM SINK BOWL

SINK BOWLS - WELDED



MATERIALS

- 14 Gauge 304 Series Stainless Steel; Fabricated



FEATURES

- 3-1/2" Drain Opening

MODEL NUMBER

HAND SINK SIZE

SB-141008-14

14" x 10" x 8"

SB-161812-14

16" x 18" x 12"

SB-162014-14

16" x 20" x 14"

SB-182414-14

18" x 24" x 14"

SB-202008-14

20" x 20" x 8"

SB-202010-14

20" x 20" x 10"

SB-202012-14

20" x 20" x 12"

SB-202014-14

20" x 20" x 14"

SB-242414-14

24" x 24" x 14"

ECONOMY SINK BOWL

SINK BOWLS - WELDED

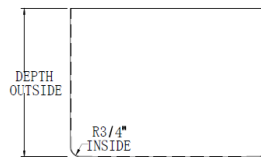
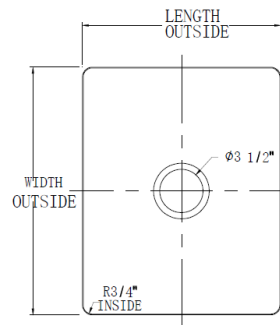


MATERIALS

- 16 Gauge 304 Series Stainless Steel; Fabricated

FEATURES

- 3-1/2" Drain Opening



MODEL NUMBER	HAND SINK SIZE
SB-111511-16	11" x 15" x 11"
SB-161610-16	16" x 16" x 10"
SB-161812-16	16" x 18" x 12"
SB-161814-16	16" x 18" x 14"
SB-162012-16	16" x 20" x 12"
SB-181812-16	18" x 18" x 12"
SB-182412-16	18" x 24" x 12"
SB-182414-16	18" x 24" x 14"
SB-202008-16	20" x 20" x 8"
SB-202012-16	20" x 20" x 12"
SB-202812-16	20" x 28" x 12"
SB-242412-16	24" x 24" x 12"
SB-242414-16	24" x 24" x 14"

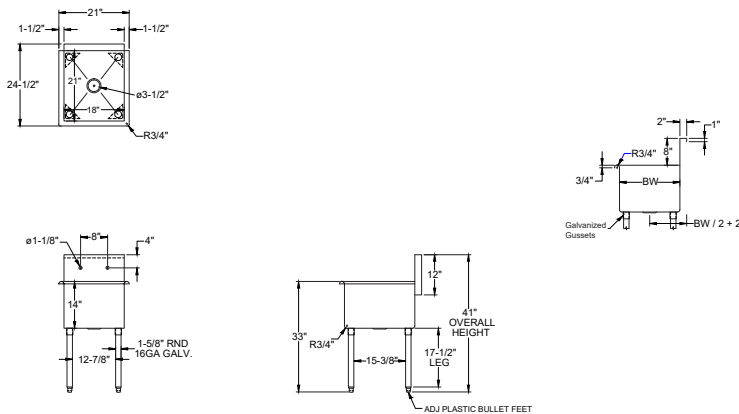
BUDGET 1-BOWL SINK

NON-NSF SINKS - 1 BOWL

MATERIALS

- 18 Gauge 430 Series Stainless Steel; Fabricated
 - Galvanized Legs
 - Plastic Bullet Feet

**COMPATIBLE WITH
NEW NBR FAUCETS!
SEE PAGE 75**



FEATURES

- 8"H Backsplash with 2" Return to Wall
- 8" On-Center Wall-Mounted Faucet Holes
- 3-1/2" Die-Stamped Drain Opening With Drain Basket Included
- Adjustable Bullet Feet

MODEL NUMBER	BOWL SIZE L X W X H	LENGTH	WIDTH
1BSG-1818	18" x 18" x 14"	21"	21-1/2"
1BSG-1821	18" x 21" x 14"	21"	24-1/2"
1BSG-2424	24" x 24" x 14"	27"	27-1/2"

****BUDGET SINKS ARE NOT NSF-CERTIFIED****

(609) 642 - 8389 | SALES@NBREQUIPMENT.COM | WWW.NBREQUIPMENT.COM
NBR EQUIPMENT, 10 ABEEL ROAD, CRANBURY, NJ 08512

BUDGET 2-BOWL SINK

NON-NSF SINKS - 2 BOWLS



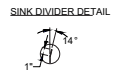
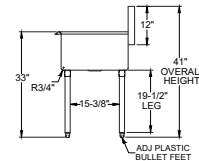
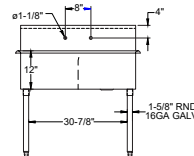
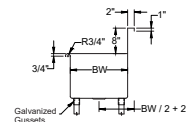
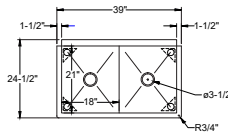
MATERIALS

- 18 Gauge 430 Series Stainless Steel; Fabricated
- Galvanized Legs
- Plastic Bullet Feet

**COMPATIBLE WITH
NEW NBR FAUCETS!
SEE PAGE 75**

FEATURES

- 8"H Backsplash with 2" Return to Wall
- 8" On-Center Wall-Mounted Faucet Holes
- 3-1/2" Die-Stamped Drain Opening With Drain Baskets Included
 - Adjustable Bullet Feet



MODEL NUMBER	BOWL SIZE L X W X H	LENGTH	WIDTH
2BSG-1818	18" x 18" x 12"	39"	21-1/2"
2BSG-1821	18" x 21" x 12"	39"	24-1/2"
2BSG-2424	24" x 24" x 12"	51"	27-1/2"

****BUDGET SINKS ARE NOT NSF-CERTIFIED****

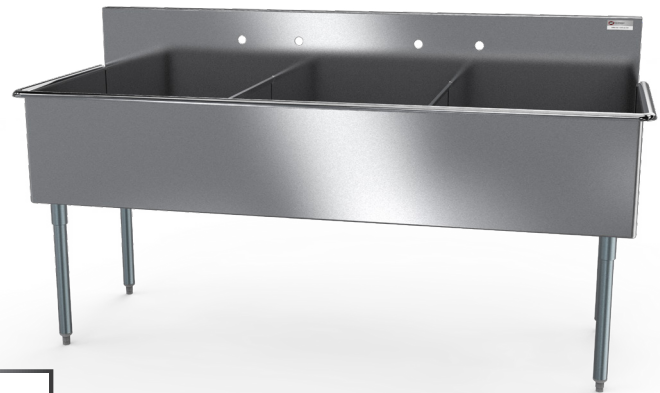
(609) 642 - 8389 | SALES@NBREQUIPMENT.COM | WWW.NBREQUIPMENT.COM
NBR EQUIPMENT, 10 ABEEL ROAD, CRANBURY, NJ 08512

BUDGET 3-BOWL SINK

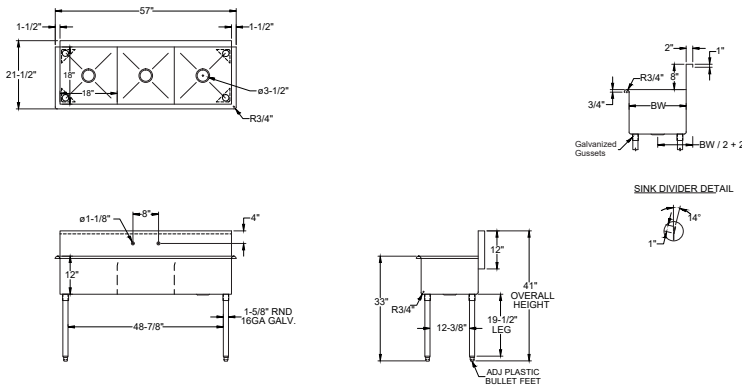
NON-NSF SINKS - 2 BOWLS

MATERIALS

- 18 Gauge 430 Series Stainless Steel; Fabricated
 - Galvanized Legs
 - Plastic Bullet Feet



**COMPATIBLE WITH
NEW NBR FAUCETS!
SEE PAGE 75**



FEATURES

- 8"H Backsplash with 2" Return to Wall
- Two Sets of 8" On-Center Wall-Mounted Faucet Holes
- 3-1/2" Die-Stamped Drain Opening With Drain Baskets Included
- Adjustable Bullet Feet

MODEL NUMBER	BOWL SIZE L X W X H	LENGTH	WIDTH
3BSG-1221	12" x 21" x 12"	39"	24-1/2"
3BSG-1818	18" x 18" x 12"	57"	21-1/2"
3BSG-1821	18" x 21" x 12"	57"	24-1/2"
3BSG-2424*	24" x 24" x 12"	75"	27-1/2"

****BUDGET SINKS ARE NOT NSF-CERTIFIED****

(609) 642 - 8389 | SALES@NBREQUIPMENT.COM | WWW.NBREQUIPMENT.COM
NBR EQUIPMENT, 10 ABEEL ROAD, CRANBURY, NJ 08512

BUDGET SINK DETACHABLE DRAINBOARD

NON-NSF SINKS - ACCESSORIES

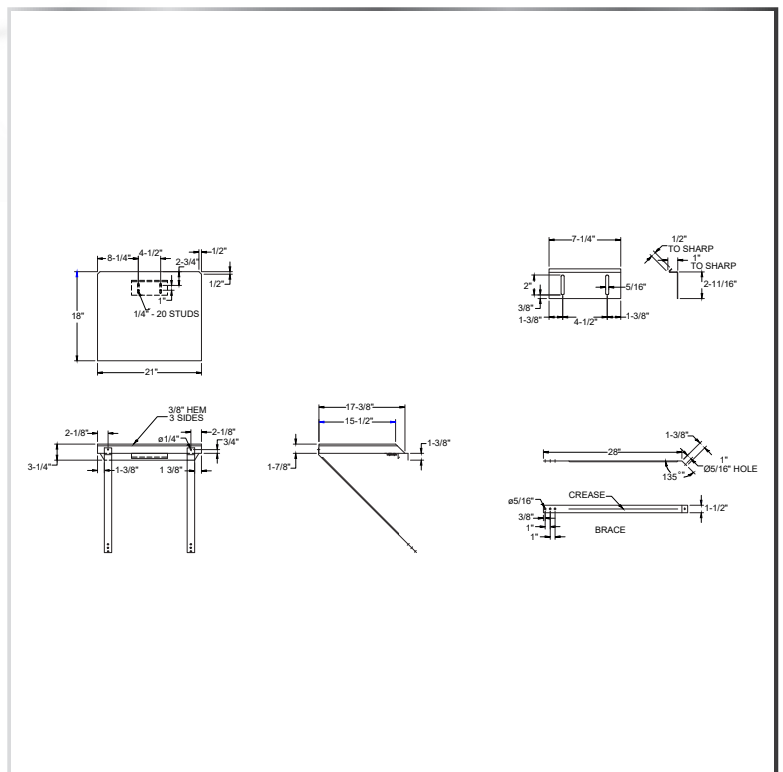


MATERIALS

- 18 Gauge 430 Series Stainless Steel; Fabricated

FEATURES

- Mounts Onto Side of Any NBR Budget Sink
- Screws Included to Mount Drainboard on Sink Legs
- Easy to Attach and Detach



MODEL NUMBER	LENGTH	WIDTH
BDD-1818	18"	18"
BDD-1821	18"	21"
BDD-2424	24"	24"



INTRODUCING...

NBR FAUCETS

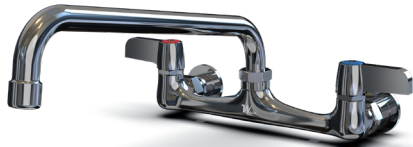
NEW

SINK ACCESSORIES - FAUCETS



8" Center Wall-Mount Faucet

2.2 GPM Aerator, 1/2" NPT Female Inlets, and Lead-Free Compliant



MODEL #	SIZE OF SPOUT
P3W8S6	6"
P3W8S8	8"
P3W8S10	10"
P3W8S12	12"
P3W8S14	14"
P3W8S16	16"



Service Sink Faucet

(NOT NSF)

Heavy Duty, 1/2" NPS Female Inlets, Threaded Spout, and Nickel-Plated Cast Brass Body

MODEL #
P2SV

8" Center Wall-Mount Faucet Set With Swing Spout Add-On

1/2" NPT Female Inlets, 18" Riser, 44" Flexible Stainless Steel Hose, Wall Bracket, Spray Valve Holder & Overhead Spring, and Lead-Free Compliant

MODEL #	SIZE OF SPOUT
P3W8S6-PU	6"
P3W8S8-PU	8"
P3W8S10-PU	10"
P3W8S12-PU	12"
P3W8S14-PU	14"
P3W8S16-PU	16"



8" Center Wall-Mount Faucet Set

1/2" NPT Female Inlets, 18" Riser, 44" Flexible Stainless Steel Hose, Swing Spout Faucet Add-On Wall Bracket, Spray Valve Holder & Overhead Spring, and Lead-Free Compliant

MODEL #
P3W8-PU

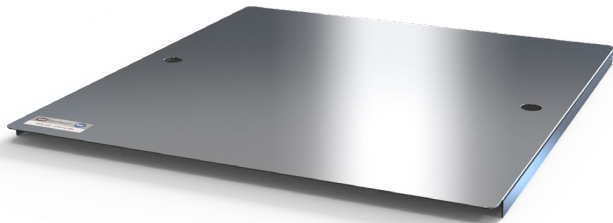
SINK COVERS

SINK ACCESSORIES - BOWL COVERS



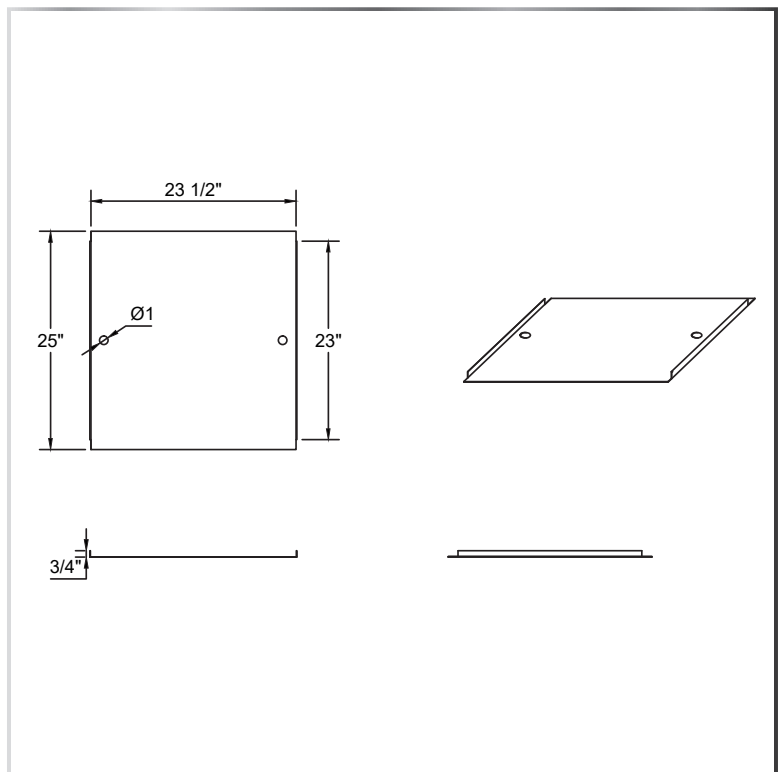
MATERIALS

- 16 Gauge 304 Series Stainless Steel
- Perforated Cover (H) is 18 Gauge 304 Series Stainless Steel



FEATURES

- Available As Solid or Perforated (H) Covers



MODEL NUMBER	FOR SINK BOWL SIZE
SCR-1620	16" X 20"
SCR-1818	18" X 18"
SCR-1824	18" X 24"
SCR-2030	20" X 30"
SCR-2424	24" X 24"
SCR-1014H	10" X 14"

(609) 642 - 8389 | SALES@NBREQUIPMENT.COM | WWW.NBREQUIPMENT.COM
NBR EQUIPMENT, 10 ABEEL ROAD, CRANBURY, NJ 08512

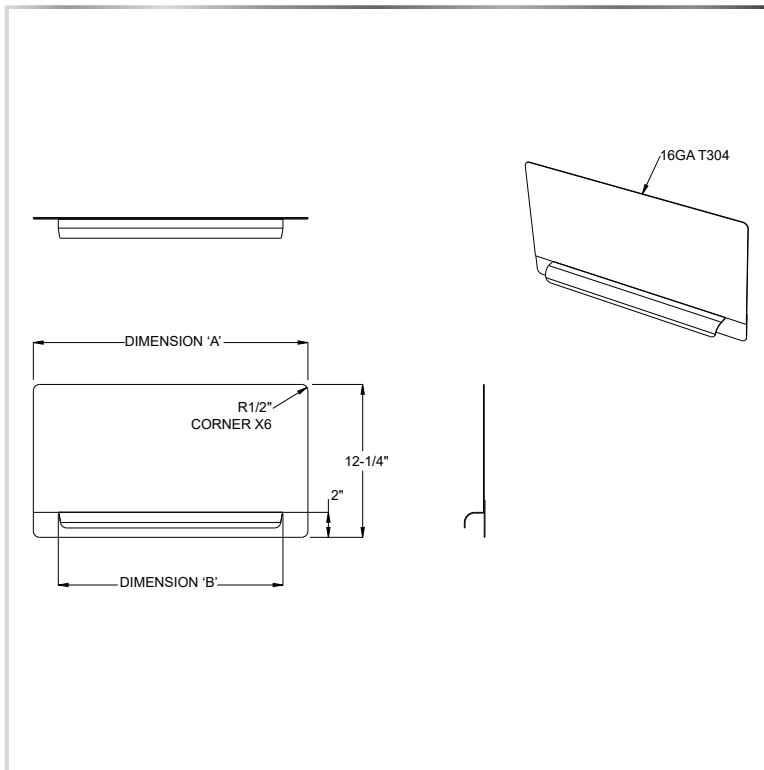
REMOVABLE SINK SPLASH

SINK ACCESSORIES - REMOVABLE SPLASH



MATERIALS

- 16 Gauge 304 Series Stainless Steel



FEATURES

- Removable Sink Side-Splash
- 12-1/4" Tall Splash
- 1-5/8" Thick

MODEL NUMBER	TOTAL LENGTH (A)	CLIP LENGTH (B)
RSS-18	24"	18"
RSS-20	26"	20"
RSS-24	28"	24"
RSS-30	36"	30"



WASTE DRAINS

SINK ACCESSORIES - DRAINS



TWIST HANDLE WASTE DRAIN	LEVER HANDLE WASTE DRAIN	TWIST HANDLE DRAIN BRACKET	SNAP-IN MAGNETIC CABINET HATCH
P5TD1	P5LD1	P7TDB	MAG-2
<i>Fits 3-1/2" Drain Opening</i>	<i>Fits 3-1/2" Drain Opening</i>	<i>Height Adjustable</i>	<i>Single Magnet</i>
<i>2" Male and 1-1/2" Female NPT Drain Outlet</i>	<i>2" Male and 1-1/2" Female NPT Drain Outlet</i>		<i>2-5/16"L x 7/16"W x 13/16"H Overall</i>
<i>Nickel Plated Cast Brass Drain Body</i>	<i>Nickel Plated Cast Brass Drain Body</i>		<i>Snap-In Magnetic Cabinet Hatch</i>
<i>With SS Flat Strainer and SS Twist Handle</i>	<i>With SS Flat Strainer and SS Straight Lever Handle</i>		<i>Black Polypropylene</i>



MODEL NUMBER	STN-2	STN-3	STN-11B	STN-11C	STN-12B
HOLE SIZE	1-7/8"	3-1/2"	1-3/8" Hole 1-1/2"H	1-3/8" Hole 1-1/2"H	1-3/8" Hole 3-1/3"H
DESCRIPTION	Drain Basket with Crumb Cup	Drain with Crumb Cup	Drain	Chrome Plated Drain	Drain
MATERIAL	T430 Steel	T430 Steel	Brass	Brass	Brass



MODEL NUMBER	STN-12C	STN-4B	SP-75	SP-10	PT-1
HOLE SIZE	1-3/8" Hole 3-1/4"H	3-1/2"	Meet STN-2 7-1/2"H	Meet STN-2 10"H	1-1/2"
DESCRIPTION	Chrome Plated Drain	Mop Sink Drain	Overflow Tube	Overflow Tube	P-Trap with Tail Piece
MATERIAL	Brass	Brass	Brass	Brass	Brass

PREMIUM FLAT TOP WORKTABLE

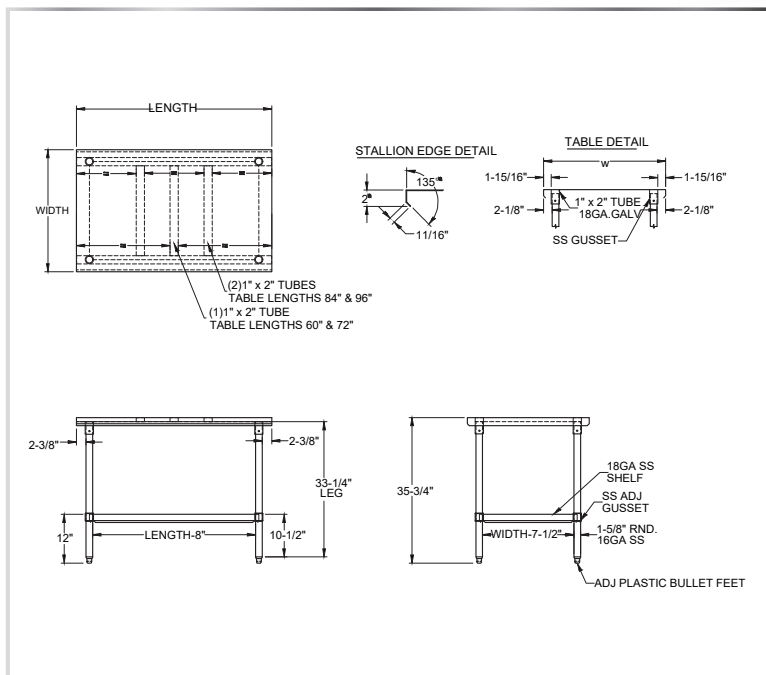
WORKTABLES - FLAT TOP

18GA



MATERIALS

- 18 Gauge 430 Series Stainless Steel Top
- Stainless Steel Lower Shelf, Legs, and Bullet Feet



FEATURES

- Straight Turndown Edges
- Adjustable Bullet Feet and Lower Shelf (* Has 6 Legs)
- Available With Casters (Page 120)

MODEL NUMBER	LENGTH	WIDTH
TS-2418	24"	18"
TS-2424	24"	24"
TS-3018	30"	18"
TS-3024	30"	24"
TS-3030	30"	30"
TS-3618	36"	18"
TS-3624	36"	24"
TS-3630	36"	30"
TS-4818	48"	18"
TS-4824	48"	24"
TS-4830	48"	30"
TS-6018	60"	18"

MODEL NUMBER	LENGTH	WIDTH
TS-6024	60"	24"
TS-6030	60"	30"
TS-7218	72"	18"
TS-7224	72"	24"
TS-7230	72"	30"
TS-8418*	84"	18"
TS-8424*	84"	24"
TS-8430*	84"	30"
TS-9618*	96"	18"
TS-9624*	96"	24"
TS-9630*	96"	30"

PREMIUM FLAT TOP WORKTABLE

WORKTABLES - FLAT TOP

16GA

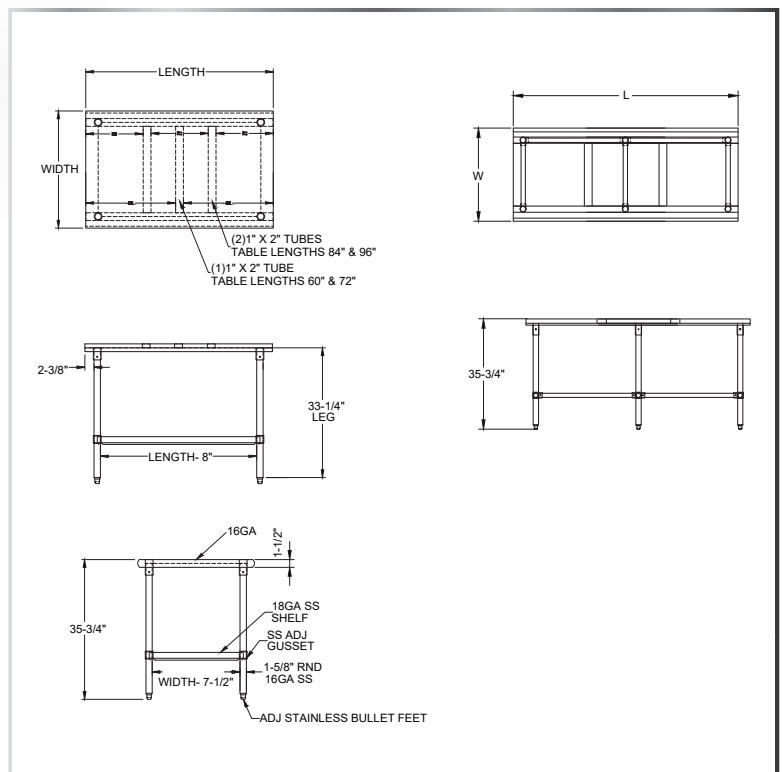


MATERIALS

- 16 Gauge 304 Series Stainless Steel
- Stainless Steel Lower Shelf, Legs, and Bullet Feet

FEATURES

- Bullnose Front and Rear Edges
 - Adjustable Lower Shelf
- Adjustable Bullet Feet (* Has 6 Legs/ Feet)
- Available With Casters (Page 120)



MODEL NUMBER	LENGTH	WIDTH
TS6-2424	24"	24"
TS6-3024	30"	24"
TS6-3030	30"	30"
TS6-3624	36"	24"
TS6-3630	36"	30"
TS6-4824	48"	24"
TS6-4830	48"	30"

MODEL NUMBER	LENGTH	WIDTH
TS6-6024	60"	24"
TS6-6030	60"	30"
TS6-7224	72"	24"
TS6-7230	72"	30"
TS6-8424*	84"	24"
TS6-8430*	84"	30"
TS6-9624*	96"	24"
TS6-9630*	96"	30"

PREMIUM FLAT TOP WORKTABLE

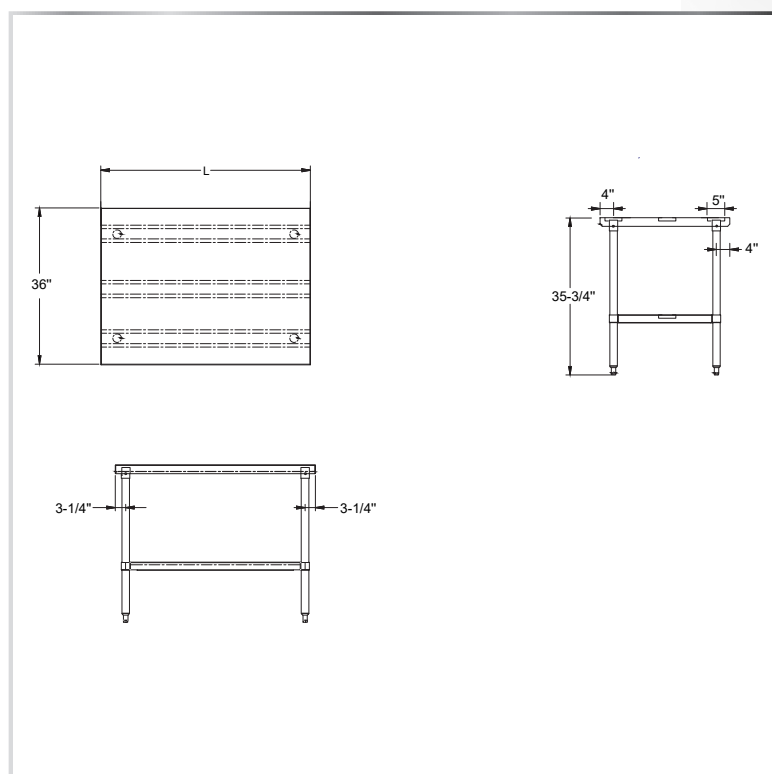
WORKTABLES - FLAT TOP

14GA



MATERIALS

- 14 Gauge 300 Series Stainless Steel Top
- 18 Gauge 300 Series Stainless Steel Lower Shelf With Aluminum Corners
- Stainless Steel Legs and Bullet Feet



FEATURES

- 3 Channels
- Straight Turndown Edges
- Adjustable Lower Shelf and Bullet Feet
- Available As Cross-Braced Worktable (X)
- Available With Casters (Page 120)

MODEL NUMBER	LENGTH	WIDTH
TS4-4836	48"	36"
TS4-6036	60"	36"
TS4-7236	72"	36"
TS4-4836-X	48"	36"
TS4-6036-X	60"	36"
TS4-7236-X	72"	36"

(609) 642 - 8389 | SALES@NBREQUIPMENT.COM | WWW.NBREQUIPMENT.COM

NBR EQUIPMENT, 10 ABEEL ROAD, CRANBURY, NJ 08512

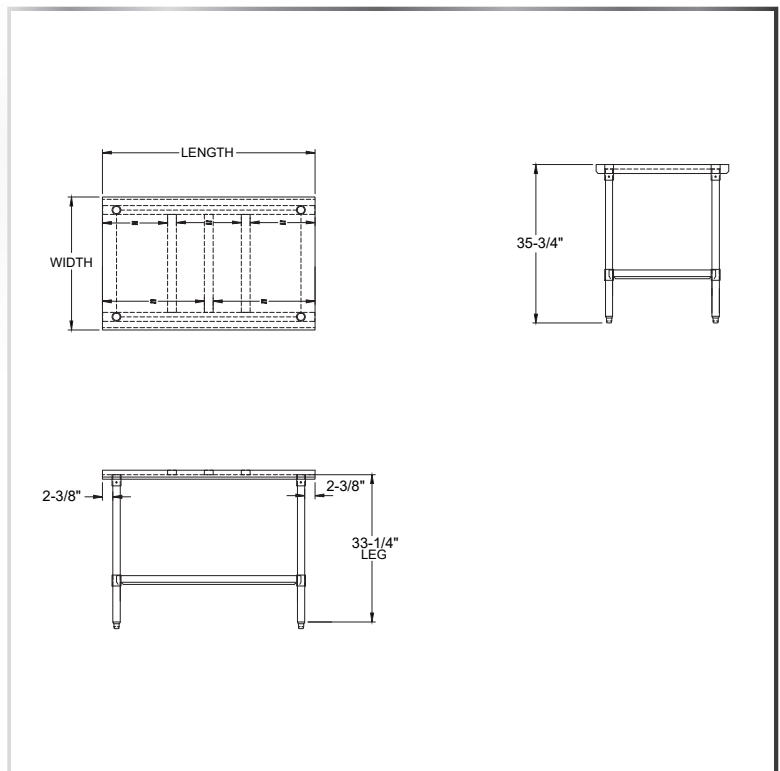
ECONOMY FLAT TOP WORKTABLE

WORKTABLES - FLAT TOP



MATERIALS

- 18 Gauge 430 Series Stainless Steel Top
- Galvanized Lower Shelf and Legs
- Plastic Bullet Feet



FEATURES

- Straight Turndown Edges
- Adjustable Lower Shelf and Bullet Feet (* Has 6 Legs)
- Available With Casters (Page 120)

MODEL NUMBER	LENGTH	WIDTH
TG-2424	24"	24"
TG-3024	30"	24"
TG-3030	30"	30"
TG-3618	36"	18"
TG-3624	36"	24"
TG-3630	36"	30"
TG-4818	48"	18"
TG-4824	48"	24"
TG-4830	48"	30"
TG-6018	60"	18"

MODEL NUMBER	LENGTH	WIDTH
TG-6024	60"	24"
TG-6030	60"	30"
TG-7218	72"	18"
TG-7224	72"	24"
TG-7230	72"	30"
TG-8424*	84"	24"
TG-8430*	84"	30"
TG-9618*	96"	18"
TG-9624*	96"	24"
TG-9630*	96"	30"

PREMIUM WORKTABLE WITH 1-1/2" BACKSPLASH

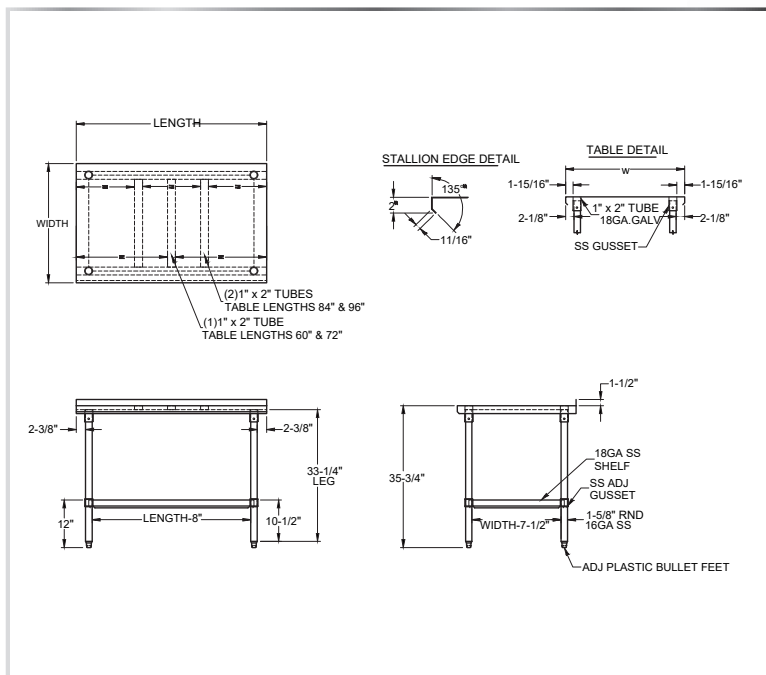


WORKTABLES - 1-1/2" SPLASH

18GA

MATERIALS

- 18 Gauge 430 Series Stainless Steel Top
- Stainless Steel Lower Shelf, Legs, and Bullet Feet



FEATURES

- Straight Turndown Edges
- Adjustable Lower Shelf and Bullet Feet (* Has 6 Legs)
- Available With Casters (Page 120)

MODEL NUMBER	LENGTH	WIDTH
TS-2418R	24"	18"
TS-2424R	24"	24"
TS-3018R	30"	18"
TS-3024R	30"	24"
TS-3030R	30"	30"
TS-3618R	36"	18"
TS-3624R	36"	24"
TS-3630R	36"	30"
TS-4818R	48"	18"
TS-4824R	48"	24"
TS-4830R	48"	30"
TS-6018R	60"	18"

MODEL NUMBER	LENGTH	WIDTH
TS-6024R	60"	24"
TS-6030R	60"	30"
TS-7218R	72"	18"
TS-7224R	72"	24"
TS-7230R	72"	30"
TS-8418R*	84"	18"
TS-8424R*	84"	24"
TS-8430R*	84"	30"
TS-9618R*	96"	18"
TS-9624R*	96"	24"
TS-9630R*	96"	30"

PREMIUM WORKTABLE WITH 1-1/2" BACKSPLASH

14GA

WORKTABLES - 1-1/2" SPLASH

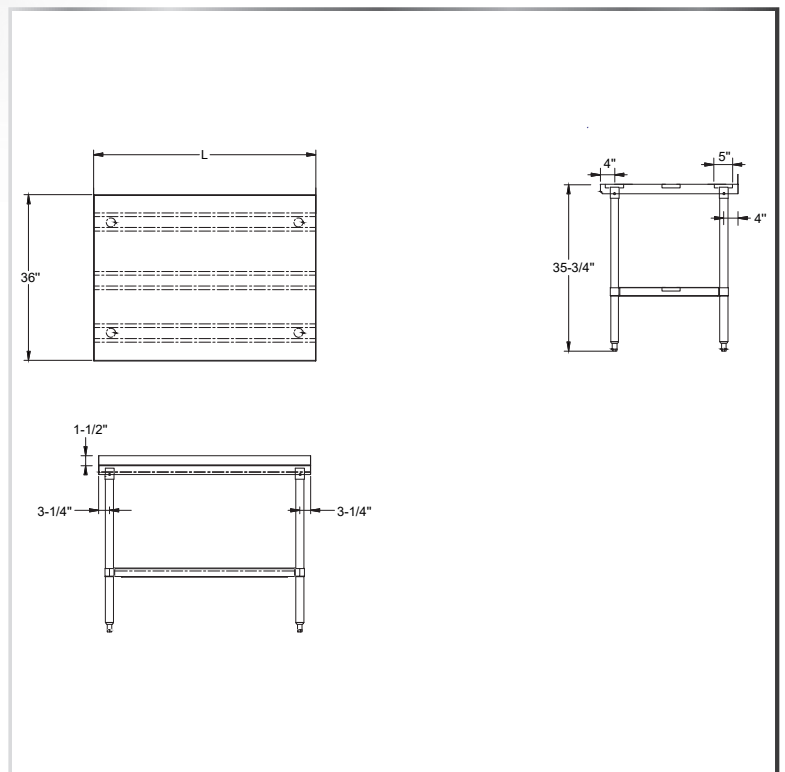


MATERIALS

- 14 Gauge 300 Series Stainless Steel Top
- 18 Gauge 300 Series Stainless Steel Lower Shelf With Aluminum Corners
- Stainless Steel Legs and Bullet Feet

FEATURES

- Straight Turndown Edges
- Adjustable Lower Shelf and Bullet Feet
- Available As Cross-Braced Worktable (X)
- Available With Casters (Page 120)



MODEL NUMBER	LENGTH	WIDTH
TS4-4836R	48"	36"
TS4-6036R	60"	36"
TS4-7236R	72"	36"
TS4-4836R-X	48"	36"
TS4-6036R-X	60"	36"
TS4-7236R-X	72"	36"

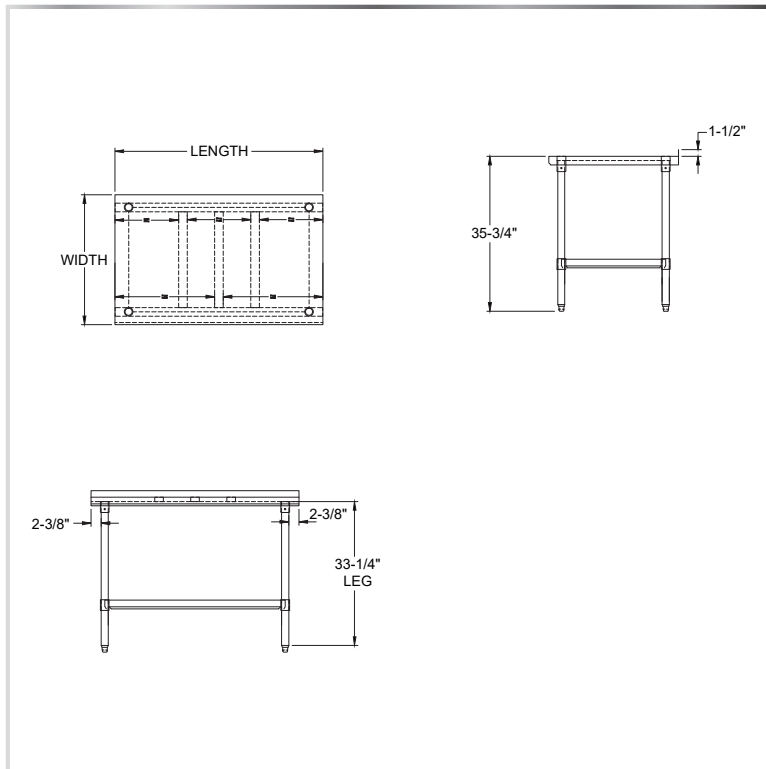
ECONOMY WORKTABLE WITH 1-1/2" BACKSPLASH

WORKTABLES - 1-1/2" SPLASH



MATERIALS

- 18 Gauge 430 Series Stainless Steel Top
- Galvanized Lower Shelf and Legs
 - Plastic Bullet Feet



FEATURES

- Straight Turndown Edges
- Adjustable Lower Shelf and Bullet Feet (* Has 6 Legs)
- Available With Casters (Page 120)

MODEL NUMBER	LENGTH	WIDTH
TG-2424R	24"	24"
TG-3024R	30"	24"
TG-3030R	30"	30"
TG-3618R	36"	18"
TG-3624R	36"	24"
TG-3630R	36"	30"
TG-4818R	48"	18"
TG-4824R	48"	24"
TG-4830R	48"	30"
TG-6018R	60"	18"

MODEL NUMBER	LENGTH	WIDTH
TG-6024R	60"	24"
TG-6030R	60"	30"
TG-7218R	72"	18"
TG-7224R	72"	24"
TG-7230R	72"	30"
TG-8424R*	84"	24"
TG-8430R*	84"	30"
TG-9618R*	96"	18"
TG-9624R*	96"	24"
TG-9630R*	96"	30"

PREMIUM WORKTABLE WITH 5" BACKSPLASH

18GA

WORKTABLES - 5" SPLASH

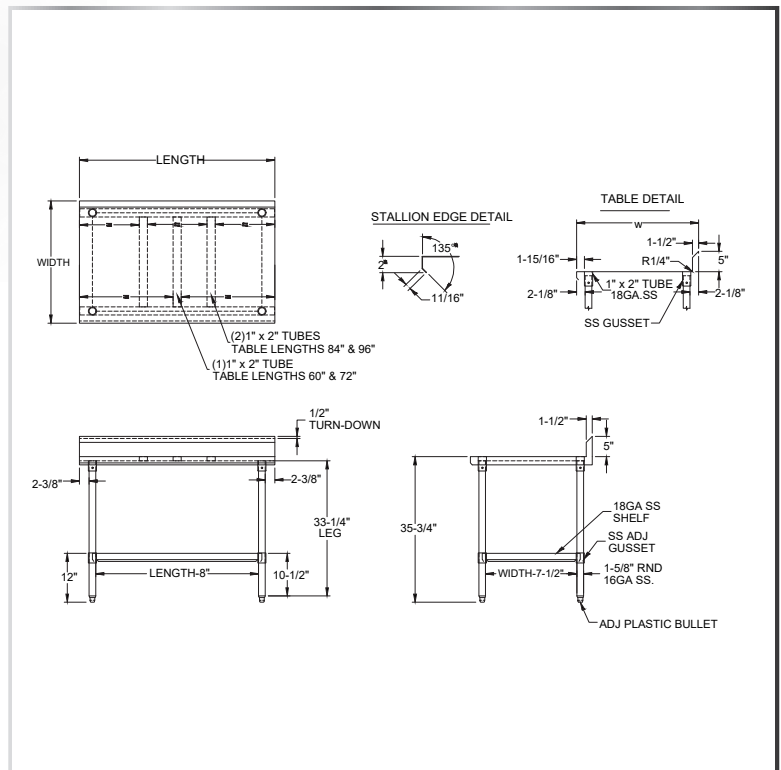


MATERIALS

- 18 Gauge 430 Series Stainless Steel Top
- Stainless Steel Lower Shelf, Legs, and Bullet Feet

FEATURES

- Straight Turndown Edges
- Adjustable Lower Shelf and Bullet Feet (* Has 6 Legs)
- Available With Casters (Page 120)



MODEL NUMBER	LENGTH	WIDTH
TS-2424R5	24"	24"
TS-3024R5	30"	24"
TS-3624R5	36"	24"
TS-4824R5	48"	24"
TS-6024R5	60"	24"
TS-7224R5	72"	24"
TS-8424R5*	84"	24"
TS-9624R5*	96"	24"

MODEL NUMBER	LENGTH	WIDTH
TS-3030R5	30"	30"
TS-3630R5	36"	30"
TS-4830R5	48"	30"
TS-6030R5	60"	30"
TS-7230R5	72"	30"
TS-8430R5*	84"	30"
TS-9630R5*	96"	30"

PREMIUM WORKTABLE WITH 5" BACKSPLASH

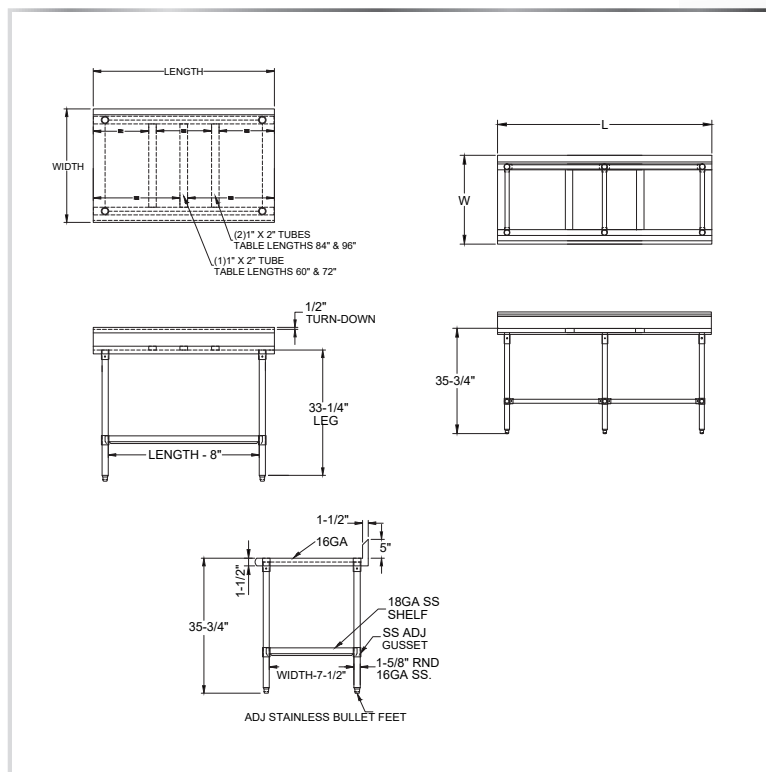


WORKTABLES - 5" SPLASH

16GA

MATERIALS

- 16 Gauge 304 Series Stainless Steel
- Stainless Steel Lower Shelf, Legs, and Bullet Feet



FEATURES

- Bullnose Front and Rear Edges
- Adjustable Lower Shelf
- Adjustable Bullet Feet (* Has 6 Legs/ Feet)
- Available With Casters (Page 120)

MODEL NUMBER	LENGTH	WIDTH
TS6-2424R5	24"	24"
TS6-3024R5	30"	24"
TS6-3624R5	36"	24"
TS6-4824R5	48"	24"
TS6-6024R5	60"	24"
TS6-7224R5	72"	24"
TS6-8424R5*	84"	24"
TS6-9624R5*	96"	24"

MODEL NUMBER	LENGTH	WIDTH
TS6-3030R5	30"	30"
TS6-3630R5	36"	30"
TS6-4830R5	48"	30"
TS6-6030R5	60"	30"
TS6-7230R5	72"	30"
TS6-8430R5*	84"	30"
TS6-9630R5*	96"	30"

PREMIUM WORKTABLE WITH 5" BACKSPLASH

14GA

WORKTABLES - 5" SPLASH

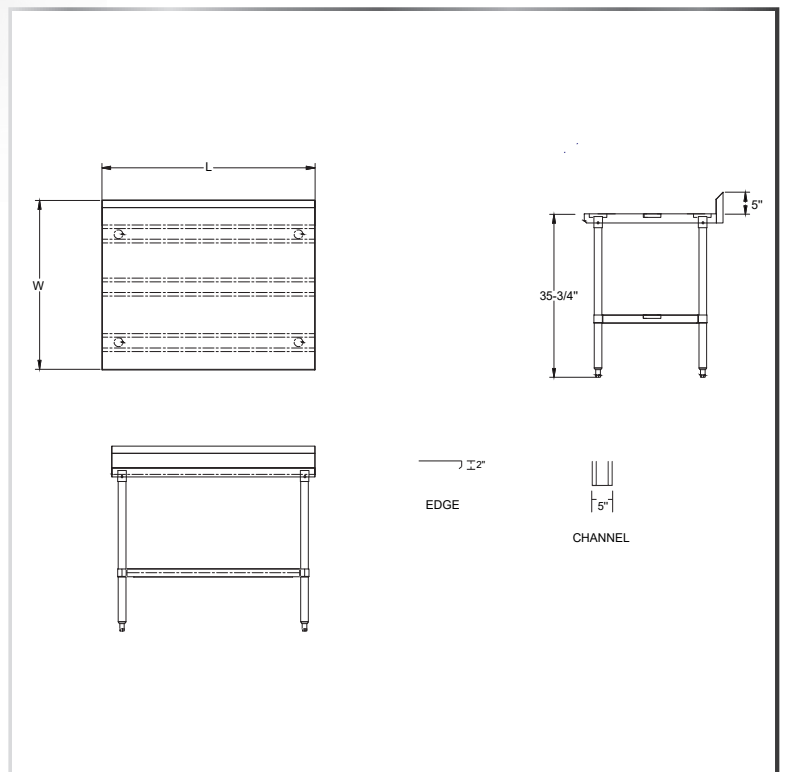


MATERIALS

- 14 Gauge 300 Series Stainless Steel Top
- 18 Gauge 300 Series Stainless Steel Lower Shelf With Aluminum Corners
- Stainless Steel Legs and Bullet Feet

FEATURES

- Straight Turndown Edges
- Adjustable Lower Shelf and Bullet Feet
- Available As Cross-Braced Worktable (-X)
- Available With Casters (Page 120)



MODEL NUMBER	LENGTH	WIDTH
TS4-4836R5	48"	36"
TS4-6036R5	60"	36"
TS4-7236R5	72"	36"
TS4-4836R5-X	48"	36"
TS4-6036R5-X	60"	36"
TS4-7236R5-X	72"	36"

(609) 642 - 8389 | SALES@NBREQUIPMENT.COM | WWW.NBREQUIPMENT.COM

NBR EQUIPMENT, 10 ABEEL ROAD, CRANBURY, NJ 08512

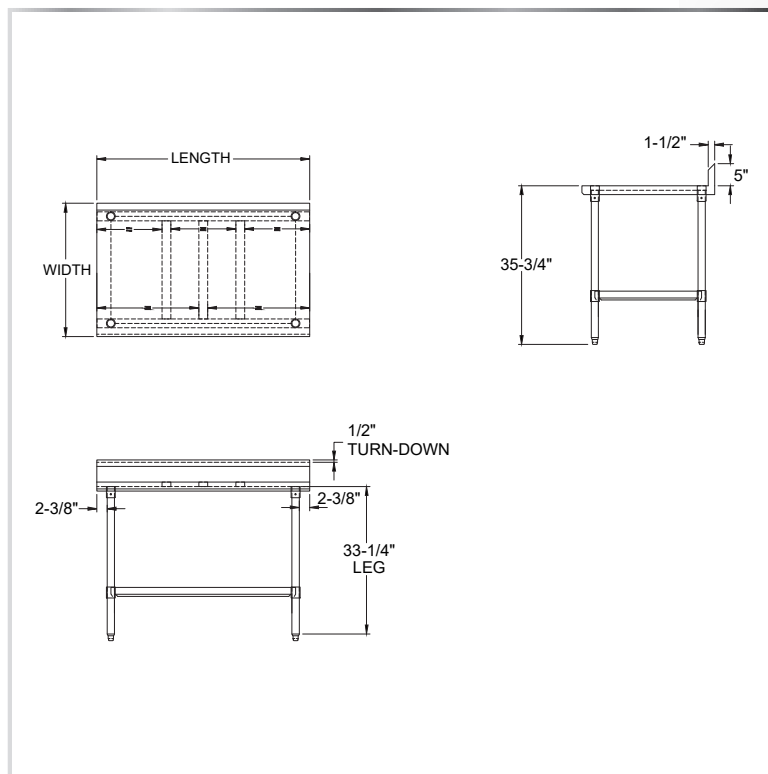
ECONOMY WORKTABLE WITH 5" BACKSPLASH



WORKTABLES - 5" SPLASH

MATERIALS

- 18 Gauge 430 Series Stainless Steel Top
- Galvanized Lower Shelf and Legs
 - Plastic Bullet Feet



FEATURES

- Straight Turndown Edges
- Adjustable Lower Shelf and Bullet Feet (* Has 6 Legs)
- Available With Casters (Page 120)

MODEL NUMBER	LENGTH	WIDTH
TG-2424R5	24"	24"
TG-3024R5	30"	24"
TG-3624R5	36"	24"
TG-4824R5	48"	24"
TG-6024R5	60"	24"
TG-7224R5	72"	24"
TG-8424R5*	84"	24"
TG-9624R5*	96"	24"

MODEL NUMBER	LENGTH	WIDTH
TG-3030R5	30"	30"
TG-3630R5	36"	30"
TG-4830R5	48"	30"
TG-6030R5	60"	30"
TG-7230R5	72"	30"
TG-8430R5*	84"	30"
TG-9630R5*	96"	30"

PREMIUM CROSS-BRACED FLAT TOP WORKTABLE

18GA

WORKTABLES - CROSS-BRACED

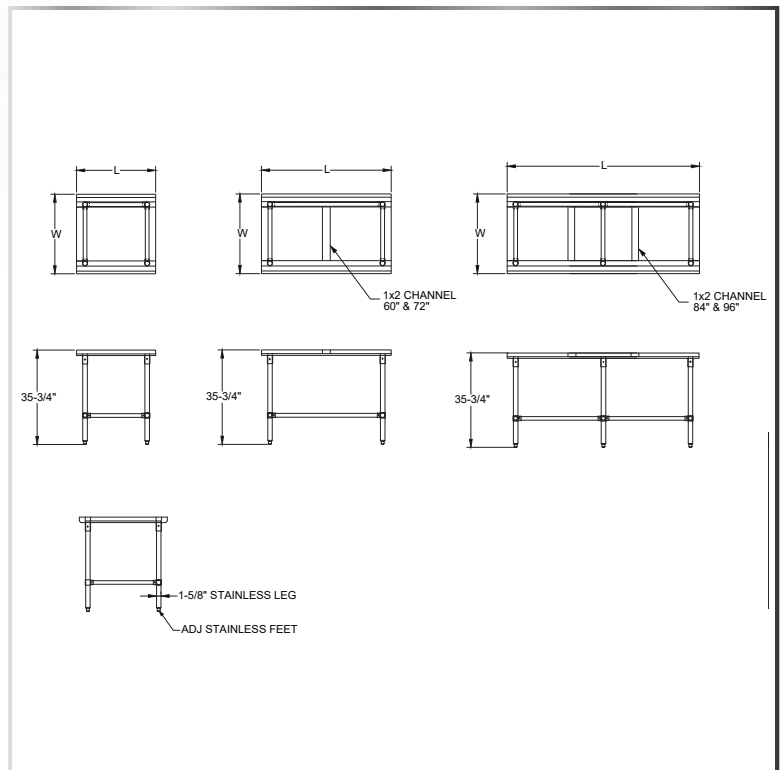


MATERIALS

- 18 Gauge 430 Series Stainless Steel Top
- Stainless Steel Cross-Bracing, Legs, and Bullet Feet

FEATURES

- Straight Turndown Edges
- Adjustable Bullet Feet (* Has 6 Legs)
 - Cross-Bracing For Reinforced Support
- Available With Casters (Page 120)



MODEL NUMBER	LENGTH	WIDTH
TS-2424-X	24"	24"
TS-3024-X	30"	24"
TS-3030-X	30"	30"
TS-3624-X	36"	24"
TS-3630-X	36"	30"
TS-4824-X	48"	24"
TS-4830-X	48"	30"

MODEL NUMBER	LENGTH	WIDTH
TS-6024-X	60"	24"
TS-6030-X	60"	30"
TS-7224-X	72"	24"
TS-7230-X	72"	30"
TS-8424-X*	84"	24"
TS-8430-X*	84"	30"
TS-9624-X*	96"	24"
TS-9630-X*	96"	30"

PREMIUM CROSS-BRACED WORKTABLE WITH 1-1/2" BACKSPLASH

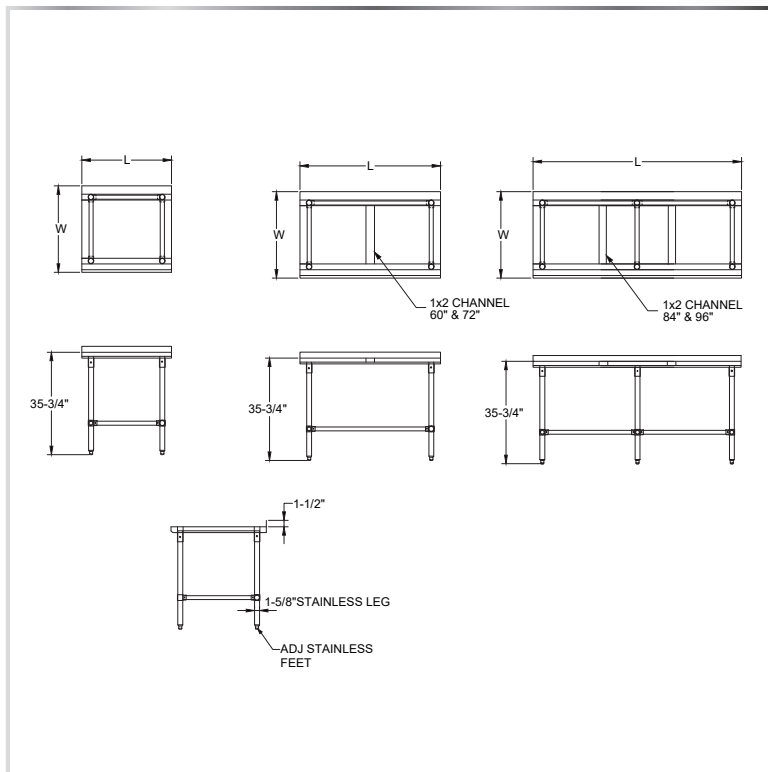
18GA



WORKTABLES - CROSS-BRACED

MATERIALS

- 18 Gauge 430 Series Stainless Steel Top
- Stainless Steel Cross-Bracing, Legs, and Bullet Feet



FEATURES

- Straight Turndown Edges
- Adjustable Bullet Feet (* Has 6 Legs)
- Cross-Bracing For Reinforced Support
- Available With Casters (Page 120)

MODEL NUMBER	LENGTH	WIDTH
TS-2424R-X	24"	24"
TS-3024R-X	30"	24"
TS-3030R-X	30"	30"
TS-3624R-X	36"	24"
TS-3630R-X	36"	30"
TS-4824R-X	48"	24"
TS-4830R-X	48"	30"

MODEL NUMBER	LENGTH	WIDTH
TS-6024R-X	60"	24"
TS-6030R-X	60"	30"
TS-7224R-X	72"	24"
TS-7230R-X	72"	30"
TS-8424R-X*	84"	24"
TS-8430R-X*	84"	30"
TS-9624R-X*	96"	24"
TS-9630R-X*	96"	30"

PREMIUM CROSS-BRACED WORKTABLE WITH 5" BACKSPLASH

18GA

WORKTABLES - CROSS-BRACED

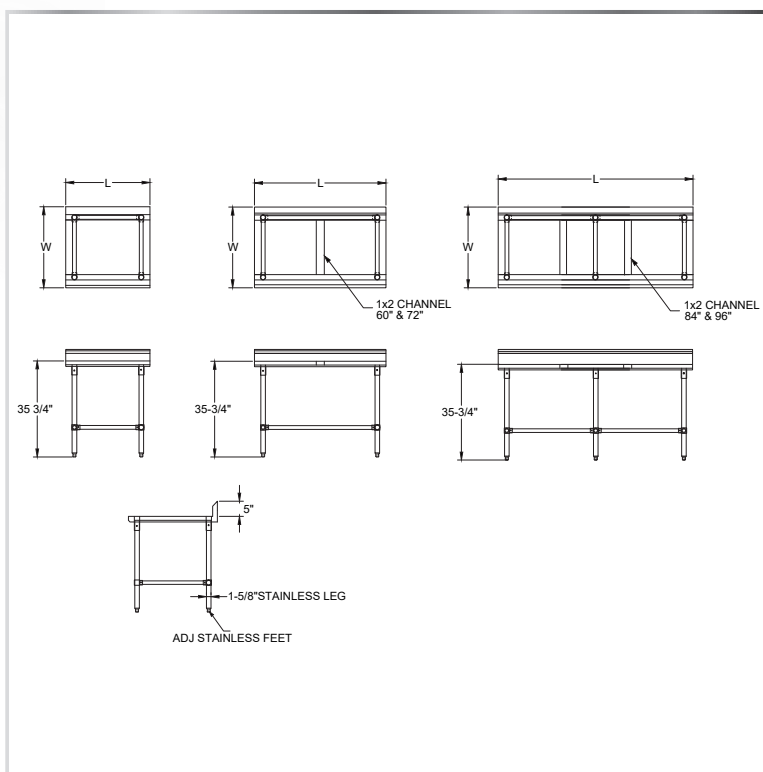


MATERIALS

- 18 Gauge 430 Series Stainless Steel Top
- Stainless Steel Cross-Bracing, Legs, and Bullet Feet

FEATURES

- Straight Turndown Edges
- Adjustable Bullet Feet (* Has 6 Legs)
 - Cross-Bracing For Reinforced Support
- Available With Casters (Page 120)



MODEL NUMBER	LENGTH	WIDTH
TS-2424R5-X	24"	24"
TS-3024R5-X	30"	24"
TS-3624R5-X	36"	24"
TS-4824R5-X	48"	24"
TS-6024R5-X	60"	24"
TS-7224R5-X	72"	24"
TS-8424R5-X*	84"	24"
TS-9624R5-X*	96"	24"

MODEL NUMBER	LENGTH	WIDTH
TS-3030R5-X	30"	30"
TS-3630R5-X	36"	30"
TS-4830R5-X	48"	30"
TS-6030R5-X	60"	30"
TS-7230R5-X	72"	30"
TS-8430R5-X*	84"	30"
TS-9630R5-X*	96"	30"

PREMIUM CROSS-BRACED FLAT TOP WORKTABLE

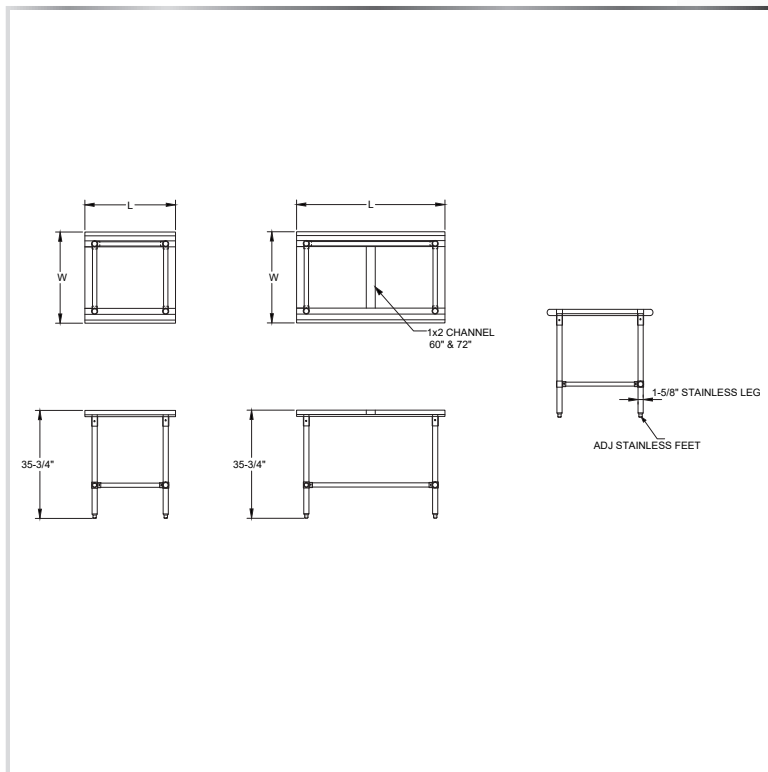


WORKTABLES - CROSS-BRACED

16GA

MATERIALS

- 16 Gauge 304 Series Stainless Steel
- Stainless Steel Cross-Bracing, Legs, and Bullet Feet



FEATURES

- Bullnose Front and Rear Edges
- Adjustable Bullet Feet (* Has 6 Legs/ Feet)
- Cross-Bracing For Reinforced Support
- Available With Casters (Page 120)

MODEL NUMBER	LENGTH	WIDTH
TS6-2424-X	24"	24"
TS6-3024-X	30"	24"
TS6-3030-X	30"	30"
TS6-3624-X	36"	24"
TS6-3630-X	36"	30"
TS6-4824-X	48"	24"
TS6-4830-X	48"	30"

MODEL NUMBER	LENGTH	WIDTH
TS6-6024-X	60"	24"
TS6-6030-X	60"	30"
TS6-7224-X	72"	24"
TS6-7230-X	72"	30"
TS6-8424-X*	84"	24"
TS6-8430-X*	84"	30"
TS6-9624-X*	96"	24"
TS6-9630-X*	96"	30"

PREMIUM CROSS-BRACED WORKTABLE WITH 5" BACKSPLASH

16GA

WORKTABLES - CROSS-BRACED

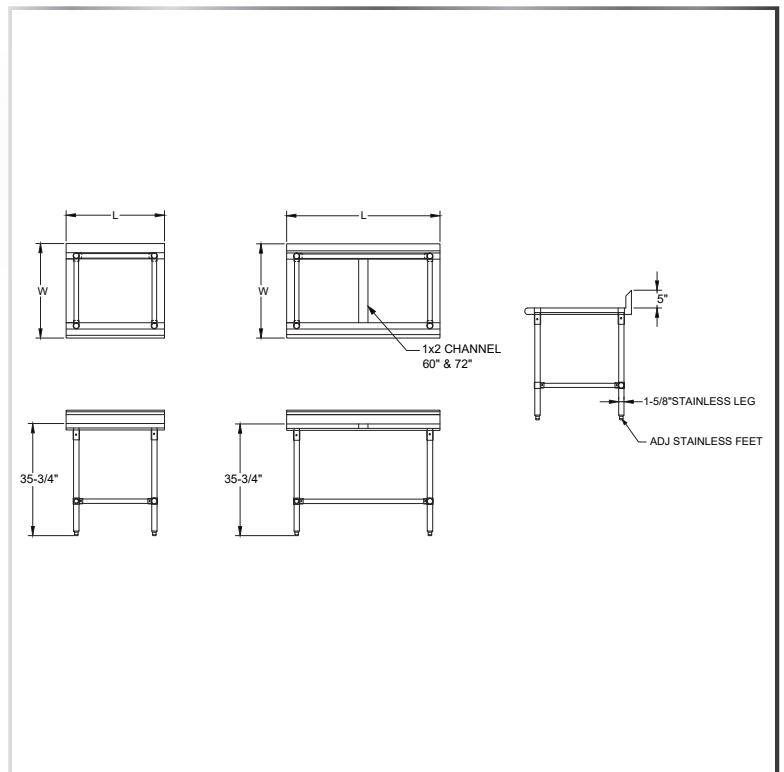


MATERIALS

- 16 Gauge 304 Series Stainless Steel
- Stainless Steel Cross-Bracing, Legs, and Bullet Feet

FEATURES

- Bullnose Front and Rear Edges
- Adjustable Bullet Feet (* Has 6 Legs/ Feet)
 - Cross-Bracing For Reinforced Support
- Available With Casters (Page 120)



MODEL NUMBER	LENGTH	WIDTH
TS6-2424R5-X	24"	24"
TS6-3024R5-X	30"	24"
TS6-3624R5-X	36"	24"
TS6-4824R5-X	48"	24"
TS6-6024R5-X	60"	24"
TS6-7224R5-X	72"	24"
TS6-8424R5-X*	84"	24"
TS6-9624R5-X*	96"	24"

MODEL NUMBER	LENGTH	WIDTH
TS6-3030R5-X	30"	30"
TS6-3630R5-X	36"	30"
TS6-4830R5-X	48"	30"
TS6-6030R5-X	60"	30"
TS6-7230R5-X	72"	30"
TS6-8430R5-X*	84"	30"
TS6-9630R5-X*	96"	30"

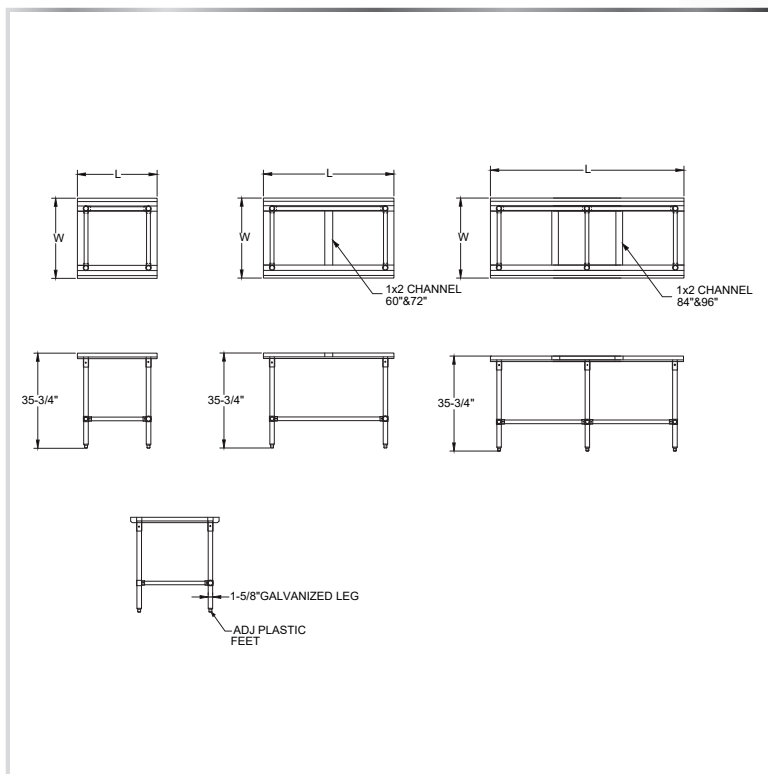
ECONOMY CROSS-BRACED FLAT TOP WORKTABLE

WORKTABLES - CROSS-BRACED



MATERIALS

- 18 Gauge 430 Series Stainless Steel Top
- Galvanized Cross-Bracing and Legs
 - Plastic Bullet Feet



FEATURES

- Straight Turndown Edges
- Adjustable Bullet Feet (* Has 6 Legs)
- Cross-Bracing For Reinforced Support
- Available With Casters (Page 120)

MODEL NUMBER	LENGTH	WIDTH
TG-2424-X	24"	24"
TG-3024-X	30"	24"
TG-3030-X	30"	30"
TG-3624-X	36"	24"
TG-3630-X	36"	30"
TG-4824-X	48"	24"
TG-4830-X	48"	30"

MODEL NUMBER	LENGTH	WIDTH
TG-6024-X	60"	24"
TG-6030-X	60"	30"
TG-7224-X	72"	24"
TG-7230-X	72"	30"
TG-8424-X*	84"	24"
TG-8430-X*	84"	30"
TG-9624-X*	96"	24"
TG-9630-X*	96"	30"

ECONOMY CROSS-BRACED WORKTABLE WITH 1-1/2" BACKSPLASH

WORKTABLES - CROSS-BRACED

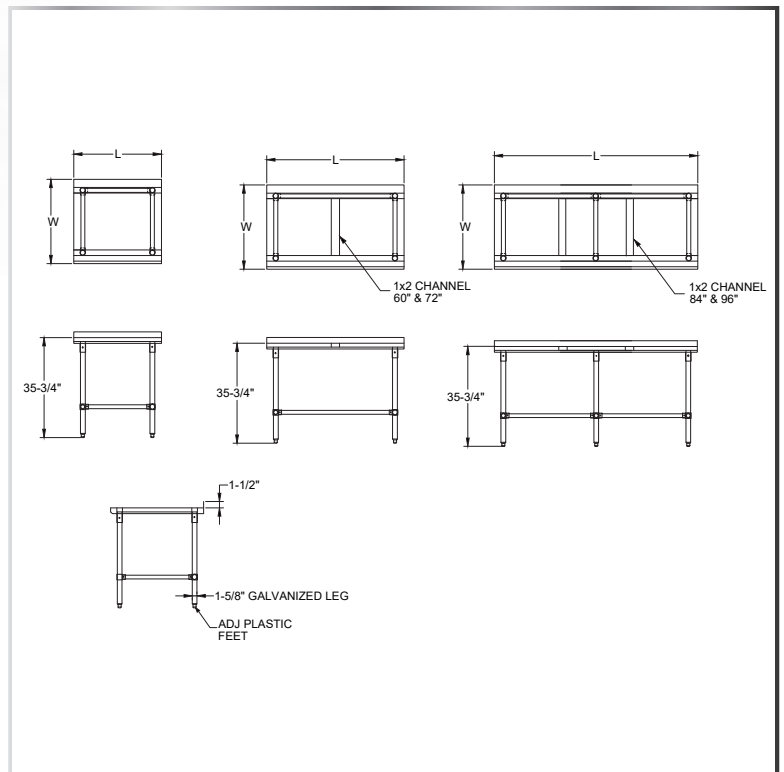


MATERIALS

- 18 Gauge 430 Series Stainless Steel Top
- Galvanized Cross-Bracing and Legs
- Plastic Bullet Feet

FEATURES

- Straight Turndown Edges
- Adjustable Bullet Feet (* Has 6 Legs)
 - Cross-Bracing For Reinforced Support
- Available With Casters (Page 120)



MODEL NUMBER	LENGTH	WIDTH
TG-2424R-X	24"	24"
TG-3024R-X	30"	24"
TG-3030R-X	30"	30"
TG-3624R-X	36"	24"
TG-3630R-X	36"	30"
TG-4824R-X	48"	24"
TG-4830R-X	48"	30"

MODEL NUMBER	LENGTH	WIDTH
TG-6024R-X	60"	24"
TG-6030R-X	60"	30"
TG-7224R-X	72"	24"
TG-7230R-X	72"	30"
TG-8424R-X*	84"	24"
TG-8430R-X*	84"	30"
TG-9624R-X*	96"	24"
TG-9630R-X*	96"	30"

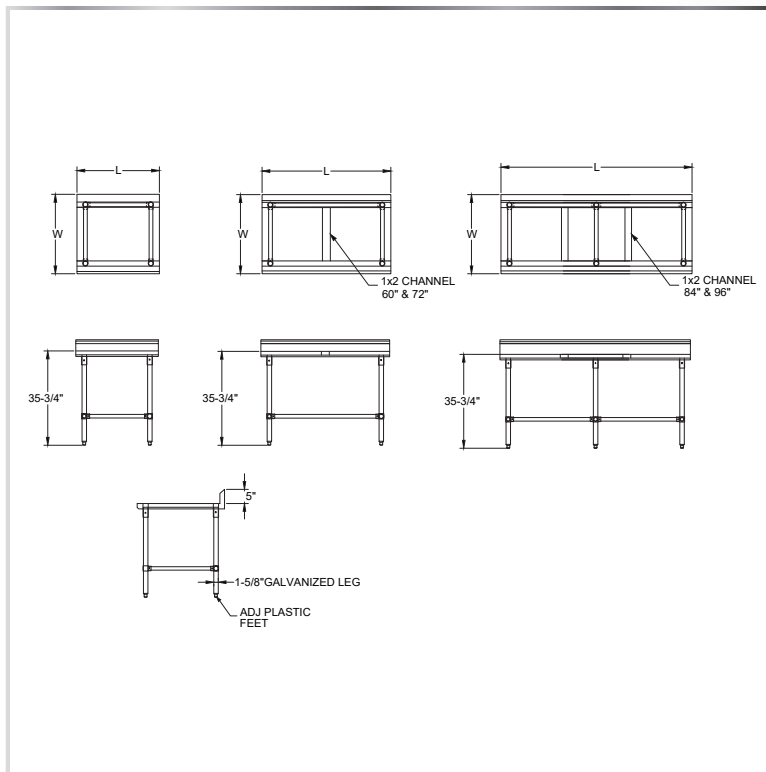
ECONOMY CROSS-BRACED WORKTABLE WITH 5" BACKSPLASH



WORKTABLES - CROSS-BRACED

MATERIALS

- 18 Gauge 430 Series Stainless Steel Top
- Galvanized Cross-Bracing and Legs
 - Plastic Bullet Feet



FEATURES

- Straight Turndown Edges
- Adjustable Bullet Feet (* Has 6 Legs)
- Cross-Bracing For Reinforced Support
- Available With Casters (Page 120)

MODEL NUMBER	LENGTH	WIDTH
TG-2424R5-X	24"	24"
TG-3024R5-X	30"	24"
TG-3624R5-X	36"	24"
TG-4824R5-X	48"	24"
TG-6024R5-X	60"	24"
TG-7224R5-X	72"	24"
TG-8424R5-X*	84"	24"
TG-9624R5-X*	96"	24"

MODEL NUMBER	LENGTH	WIDTH
TG-3030R5-X	30"	30"
TG-3630R5-X	36"	30"
TG-4830R5-X	48"	30"
TG-6030R5-X	60"	30"
TG-7230R5-X	72"	30"
TG-8430R5-X*	84"	30"
TG-9630R5-X*	96"	30"

HEIGHT ADJUSTABLE WORKTABLE

WORKTABLES - HEIGHT ADJUSTABLE

16GA

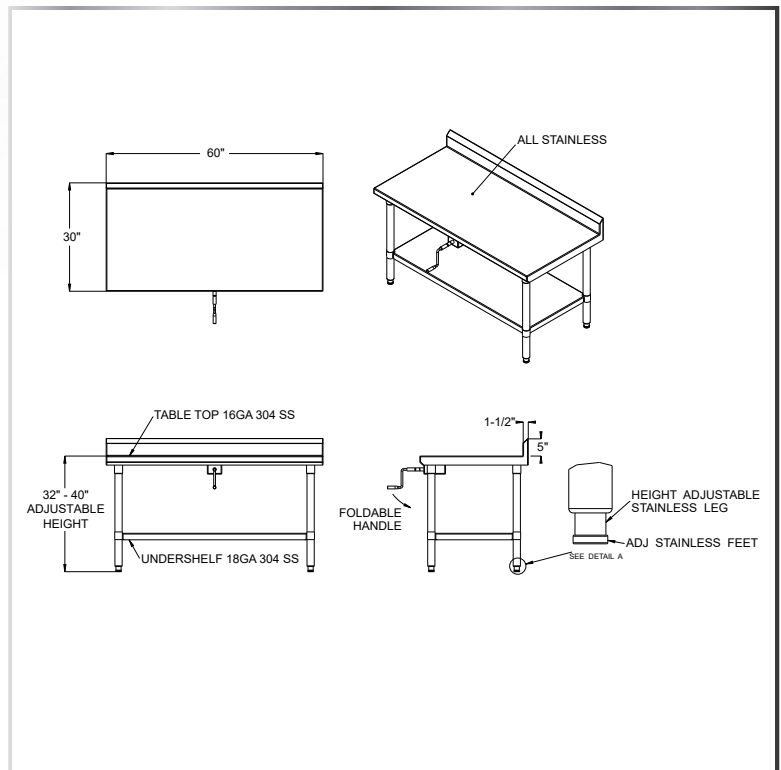


MATERIALS

- 16 Gauge 304 Series Stainless Steel Top
- 18 Gauge 304 Series Stainless Steel Under-Shelf
- Stainless Steel Foldable Handle

FEATURES

- 8" Height Adjustment (32"- 40")
- Adjustable Lower Shelf and Bullet Feet
- 5" Backsplash (Right Column)
- Also Available As A Flat Top (Left Column)



MODEL NUMBER	LENGTH	WIDTH
ATS6-3624	36"	24"
ATS6-4824	48"	24"
ATS6-6024	60"	24"
ATS6-7224	72"	24"
ATS6-3630	36"	30"
ATS6-4830	48"	30"
ATS6-6030	60"	30"
ATS6-7230	72"	30"

MODEL NUMBER	LENGTH	WIDTH
ATS6-3624R5	36"	24"
ATS6-4824R5	48"	24"
ATS6-6024R5	60"	24"
ATS6-7224R5	72"	24"
ATS6-3630R5	36"	30"
ATS6-4830R5	48"	30"
ATS6-6030R5	60"	30"
ATS6-7230R5	72"	30"

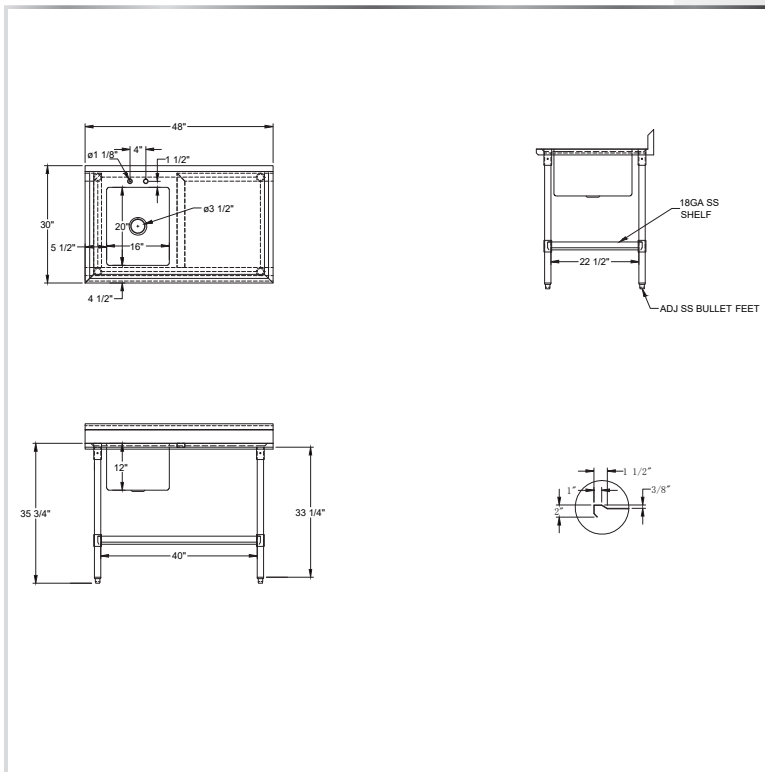
PREMIUM 1-BOWL PREP TABLE WITH 5" BACKSPLASH (BOWL ON LEFT)



WORKTABLES - WITH BOWL

MATERIALS

- 18 Gauge 300 Series Stainless Steel
- Stainless Steel Lower Shelf, Legs, and Bullet Feet



FEATURES

- 4" On-Center Deck-Mounted Faucet Holes
- 10" Deep Sink Bowl (On Left Side)
- Adjustable Lower Shelf and Bullet Feet
- Marine Edges
- Drain Basket Included

MODEL NUMBER	BOWL SIZE L X W X H	LENGTH	WIDTH
PTS-1620L4	16" x 20" x 10"	48"	30"
PTS-1620L5	16" x 20" x 10"	60"	30"
PTS-1620L6	16" x 20" x 10"	72"	30"

PREMIUM 1-BOWL PREP TABLE WITH 5" BACKSPLASH (BOWL ON RIGHT)

WORKTABLES - WITH BOWL

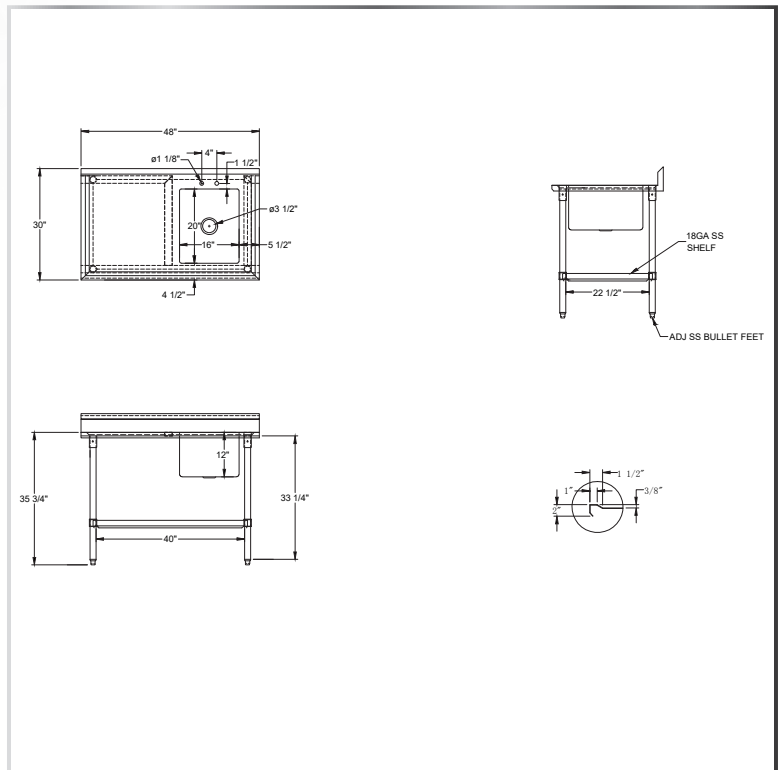


MATERIALS

- 18 Gauge 300 Series Stainless Steel
- Stainless Steel Lower Shelf, Legs, and Bullet Feet

FEATURES

- 4" On-Center Deck-Mounted Faucet Holes
- 10" Deep Sink Bowl (On Right Side)
- Adjustable Lower Shelf and Bullet Feet
 - Marine Edges
 - Drain Basket Included



MODEL NUMBER	BOWL SIZE L X W X H	LENGTH	WIDTH
PTS-1620R4	16" x 20" x 10"	48"	30"
PTS-1620R5	16" x 20" x 10"	60"	30"
PTS-1620R6	16" x 20" x 10"	72"	30"

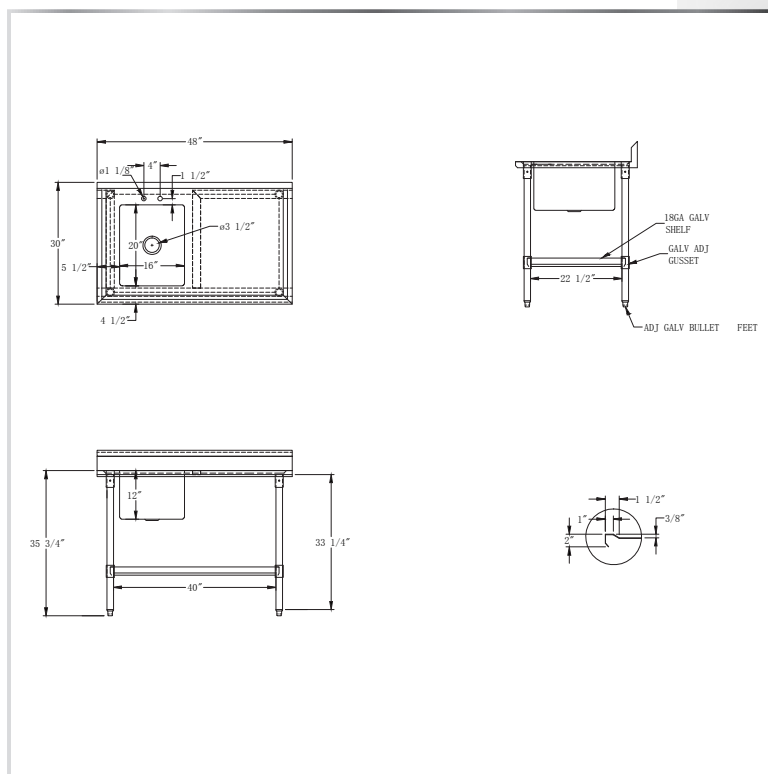
ECONOMY 1-BOWL PREP TABLE WITH 5" BACKSPLASH (BOWL ON LEFT)



WORKTABLES - WITH BOWL

MATERIALS

- 18 Gauge 300 Series Stainless Steel
- Galvanized Lower Shelf, Legs, and Bullet Feet



FEATURES

- 4" On-Center Deck-Mounted Faucet Holes
- 10" Deep Sink Bowl (On Left Side)
- Adjustable Lower Shelf and Bullet Feet
- Marine Edges
- Drain Basket Included

MODEL NUMBER	BOWL SIZE L X W X H	LENGTH	WIDTH
PTG-1620L4	16" x 20" x 10"	48"	30"
PTG-1620L5	16" x 20" x 10"	60"	30"
PTG-1620L6	16" x 20" x 10"	72"	30"

(609) 642 - 8389 | SALES@NBREQUIPMENT.COM | WWW.NBREQUIPMENT.COM
 NBR EQUIPMENT, 10 ABEEL ROAD, CRANBURY, NJ 08512

ECONOMY 1-BOWL PREP TABLE WITH 5" BACKSPLASH (BOWL ON RIGHT)

WORKTABLES - WITH BOWL

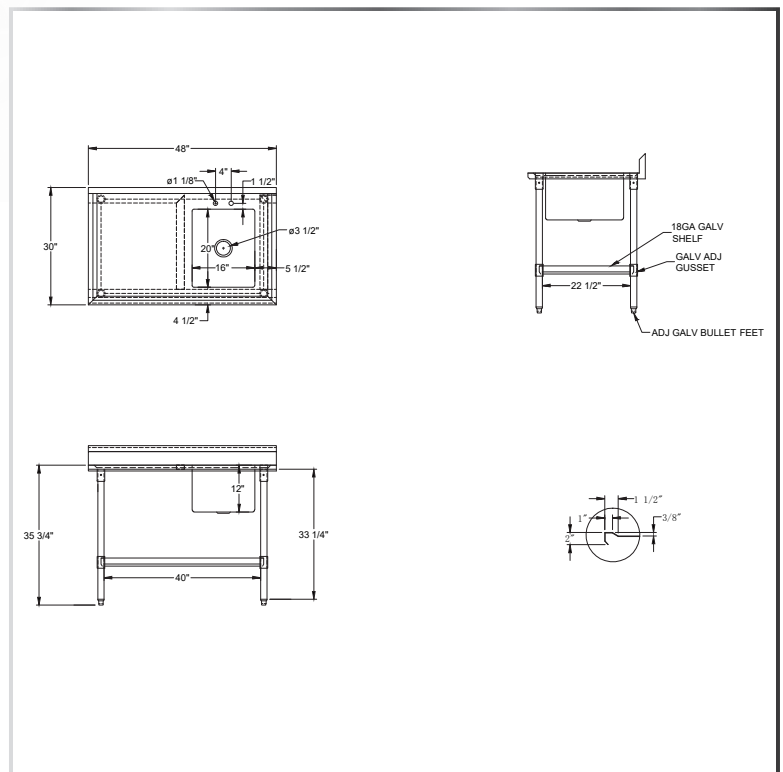


MATERIALS

- 18 Gauge 300 Series Stainless Steel
- Galvanized Lower Shelf, Legs, and Bullet Feet

FEATURES

- 4" On-Center Deck-Mounted Faucet Holes
- 10" Deep Sink Bowl (On Right Side)
 - Adjustable Lower Shelf and Bullet Feet
 - Marine Edges
 - Drain Basket Included



MODEL NUMBER	BOWL SIZE L X W X H	LENGTH	WIDTH
PTG-1620R4	16" x 20" x 10"	48"	30"
PTG-1620R5	16" x 20" x 10"	60"	30"
PTG-1620R6	16" x 20" x 10"	72"	30"

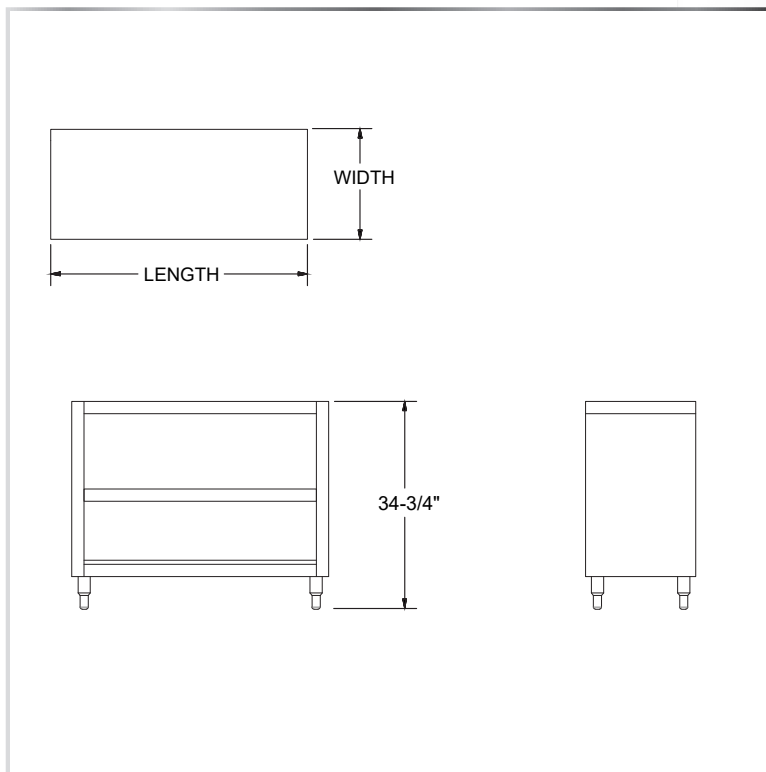
FLAT TOP WORKTABLE WITH OPEN FRONT & ENCLOSED BASE



WORKTABLES - ENCLOSED BASE

MATERIALS

- 14 Gauge 304 Series Stainless Steel Top
- 18 Gauge Stainless Steel Body
- Stainless Steel Lower Shelf, Legs, and Bullet Feet



FEATURES

- Enclosed Cabinet Base
- Adjustable Middle Shelf and Fixed Lower Shelf
- Adjustable Legs and Bullet Feet

MODEL NUMBER	LENGTH	WIDTH
TCB-4824	48"	24"
TCB-6024	60"	24"
TCB-7224	72"	24"
TCB-4830	48"	30"
TCB-6030	60"	30"
TCB-7230	72"	30"

(609) 642 - 8389 | SALES@NBREQUIPMENT.COM | WWW.NBREQUIPMENT.COM

NBR EQUIPMENT, 10 ABEEL ROAD, CRANBURY, NJ 08512

FLAT TOP WORKTABLE WITH ENCLOSED BASE & SLIDING DOORS

WORKTABLES - ENCLOSED BASE



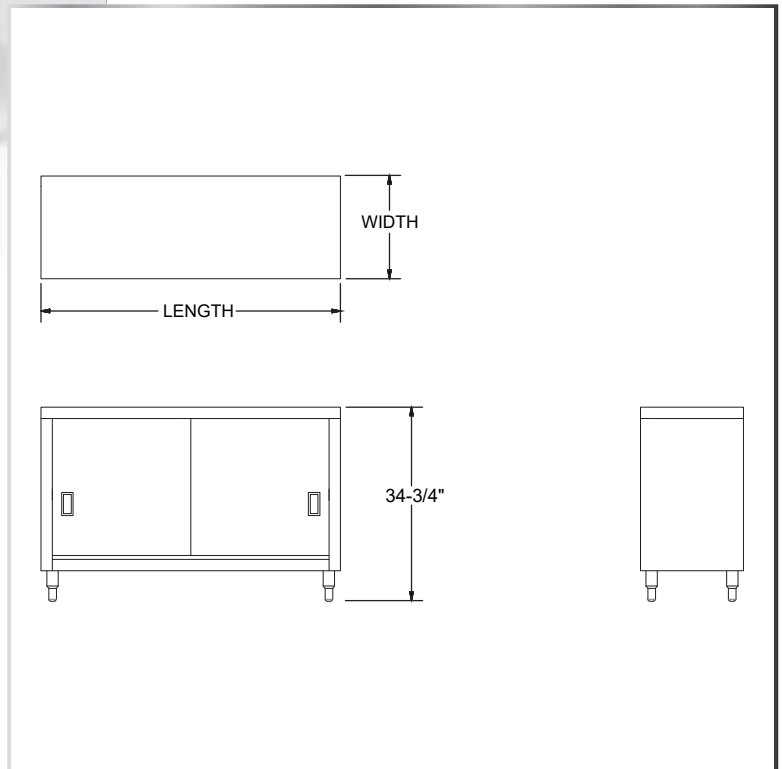
MATERIALS

- 14 Gauge 304 Series Stainless Steel Top
- 18 Gauge Stainless Steel Body
- Stainless Steel Panels on Sides and Rear
- Stainless Steel Lower Shelf, Legs, and Bullet Feet



FEATURES

- Enclosed Cabinet Base
 - Two Sliding Doors
- Adjustable Middle Shelf and Fixed Lower Shelf
- Adjustable Legs and Bullet Feet



MODEL NUMBER	LENGTH	WIDTH
TCB-3624S	36"	24"
TCB-4824S	48"	24"
TCB-6024S	60"	24"
TCB-7224S	72"	24"
TCB-3630S	36"	30"
TCB-4830S	48"	30"
TCB-6030S	60"	30"
TCB-7230S	72"	30"

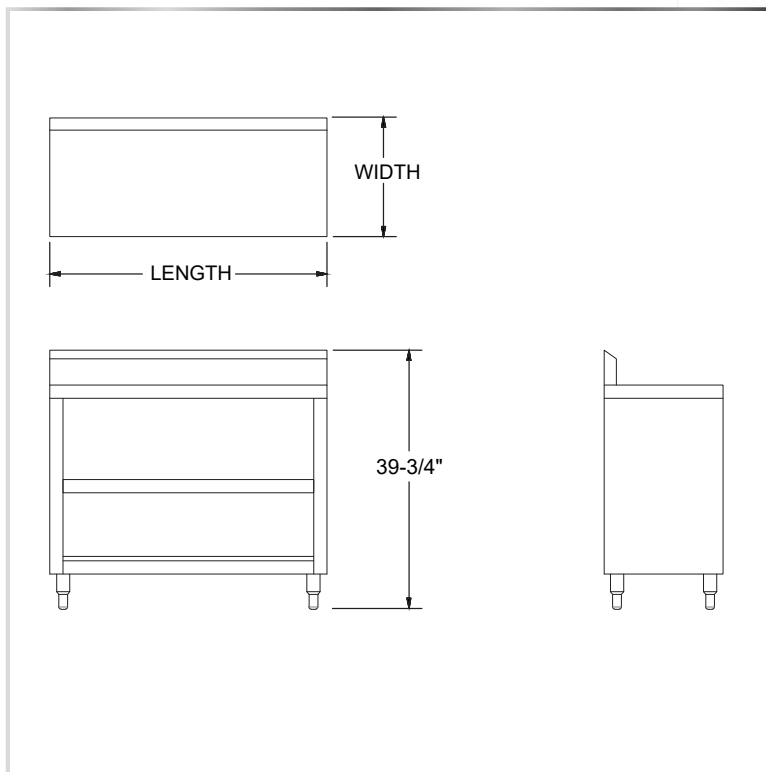
WORKTABLE WITH 5" BACKSPLASH, ENCLOSED BASE, & OPEN FRONT



WORKTABLES - ENCLOSED BASE

MATERIALS

- 14 Gauge 304 Series Stainless Steel Top
- 18 Gauge Stainless Steel Body
- Stainless Steel Lower Shelf, Legs, and Bullet Feet



FEATURES

- Enclosed Cabinet Base
- Adjustable Middle Shelf and Fixed Lower Shelf
- Adjustable Legs and Bullet Feet

MODEL NUMBER	LENGTH	WIDTH
TCB-4824R5	48"	24"
TCB-6024R5	60"	24"
TCB-7224R5	72"	24"
TCB-4830R5	48"	30"
TCB-6030R5	60"	30"
TCB-7230R5	72"	30"

(609) 642 - 8389 | SALES@NBREQUIPMENT.COM | WWW.NBREQUIPMENT.COM

NBR EQUIPMENT, 10 ABEEL ROAD, CRANBURY, NJ 08512

WORKTABLE WITH 5" BACKSPLASH & SLIDING DOORS

WORKTABLES - ENCLOSED BASE

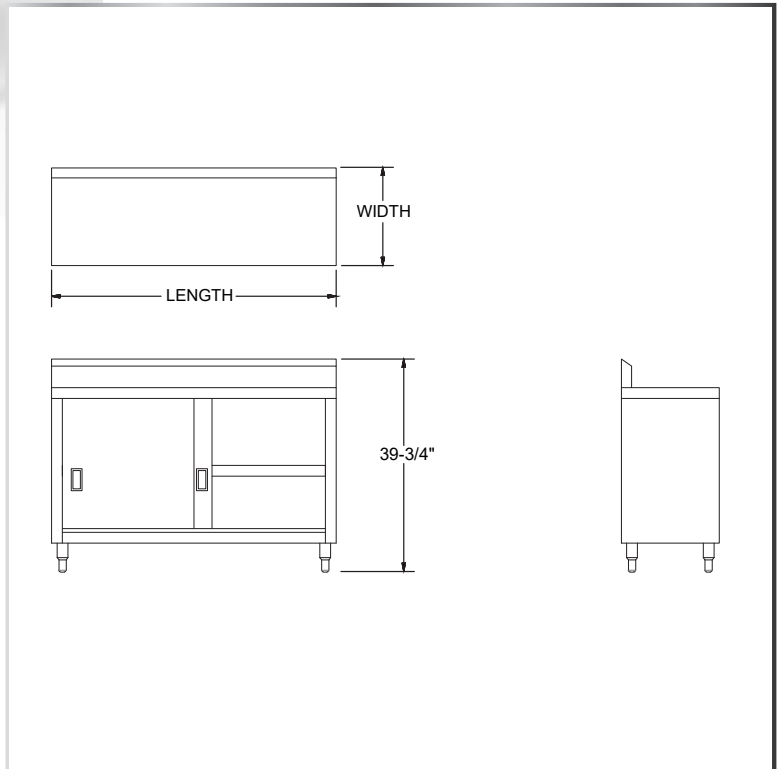


MATERIALS

- 14 Gauge 304 Series Stainless Steel Top
- 18 Gauge Stainless Steel Body
- Enclosed With Stainless Steel Panels on Sides and Rear
- Stainless Steel Lower Shelf, Legs, and Bullet Feet

FEATURES

- Enclosed Cabinet Base
 - Two Sliding Doors
- Adjustable Middle Shelf and Fixed Lower Shelf
- Adjustable Legs and Bullet Feet



MODEL NUMBER	LENGTH	WIDTH
TCB-4824R5S	48"	24"
TCB-6024R5S	60"	24"
TCB-7224R5S	72"	24"
TCB-3630R5S	36"	30"
TCB-4830R5S	48"	30"
TCB-6030R5S	60"	30"
TCB-7230R5S	72"	30"

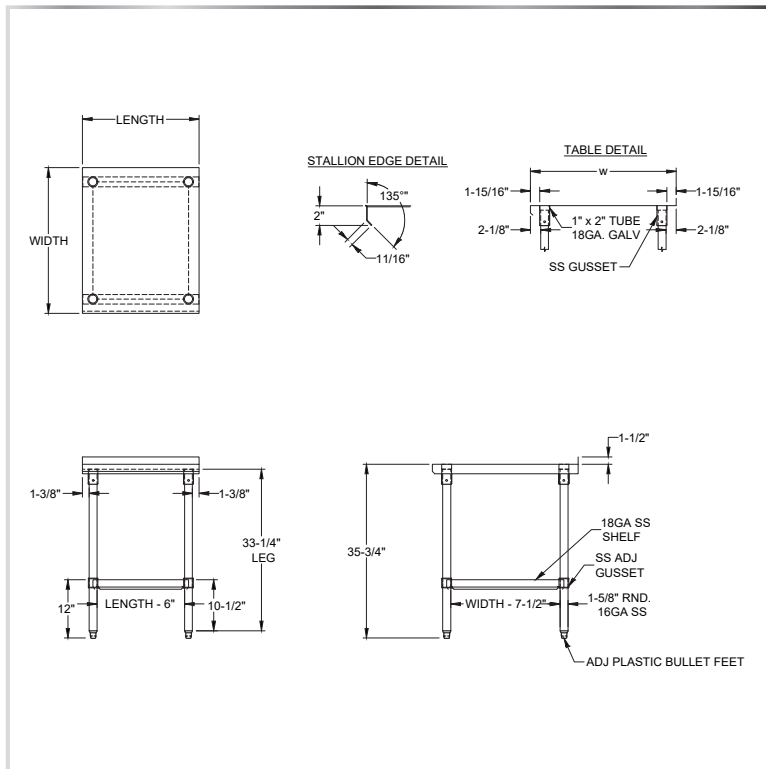
PREMIUM FILLER TABLE

WORKTABLES - FILLER TABLES



MATERIALS

- 18 Gauge 430 Series Stainless Steel
- Stainless Steel Legs and Bullet Feet



FEATURES

- 1-1/2" Backsplash
- Straight Turndown Edges
- Adjustable Lower Shelf and Bullet Feet

MODEL NUMBER	LENGTH	WIDTH
TS-F1236	12"	36"
TS-F1524	15"	24"
TS-F1530	15"	30"
TS-F1536	15"	36"
TS-F1824	18"	24"
TS-F1830	18"	30"
TS-F1836	18"	36"
TS-F2430	24"	30"

ECONOMY FILLER TABLE

WORKTABLES - FILLER TABLES

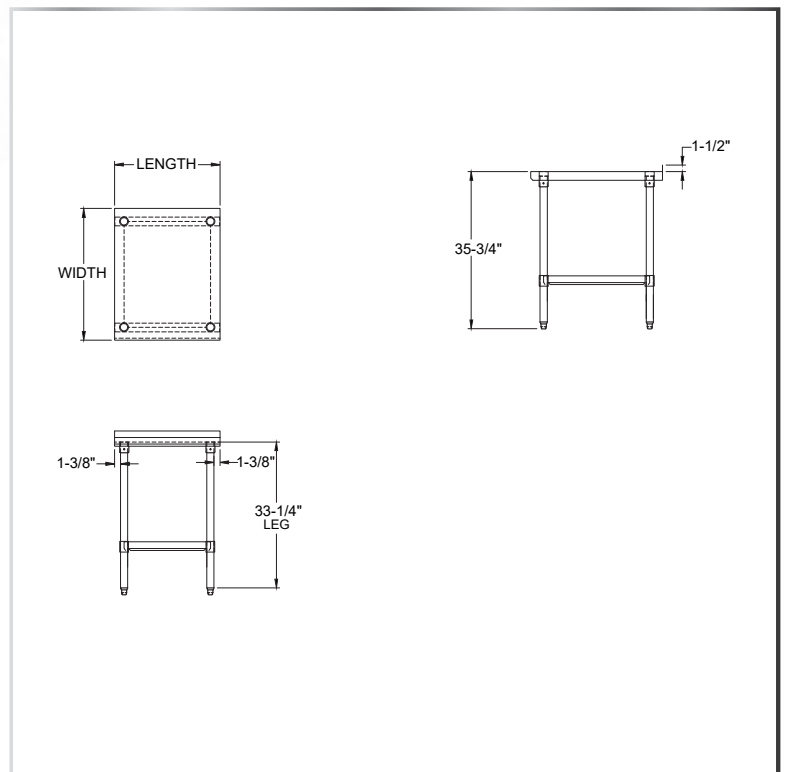


MATERIALS

- 18 Gauge 430 Series Stainless Steel Top
- Galvanized Legs
- Plastic Bullet Feet

FEATURES

- 1-1/2" Backsplash
- Straight Turndown Edges
- Adjustable Lower Shelf and Bullet Feet



MODEL NUMBER	LENGTH	WIDTH
TG-F1524	15"	24"
TG-F1530	15"	30"
TG-F1824	18"	24"
TG-F1830	18"	30"
TG-F2430	24"	30"

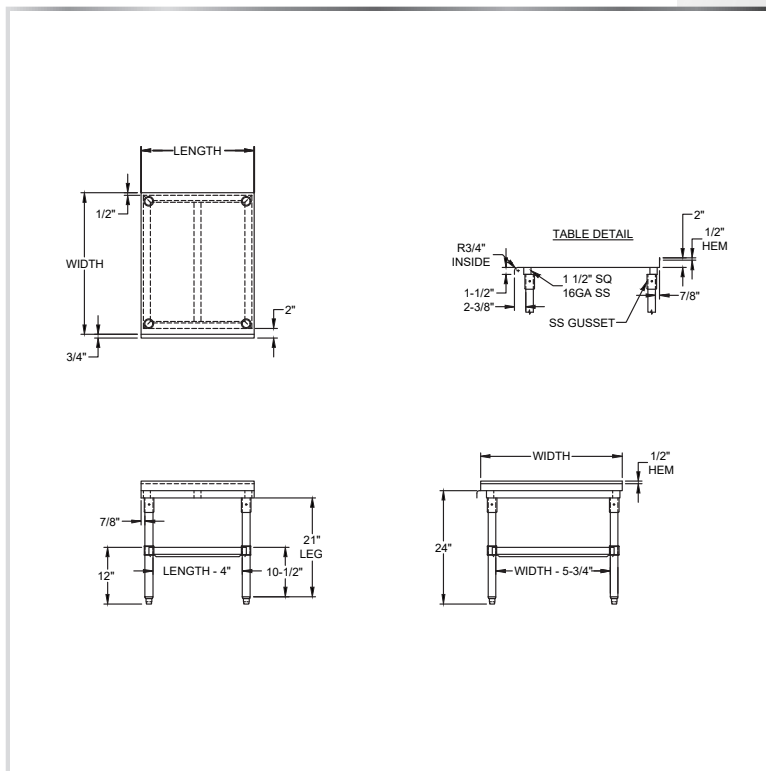
PREMIUM EQUIPMENT STAND

STANDS - EQUIPMENT



MATERIALS

- 18 Gauge 430 Series Stainless Steel Top
 - Stainless Steel Lower Shelf
- Stainless Steel Legs and Bullet Feet



FEATURES

- 2" Turned Up Edge on Back and Sides
- Adjustable Lower Shelf and Bullet Feet
- *ESS-7230 Has 6 Legs

MODEL NUMBER	LENGTH	WIDTH
ESS-1530	16"	30"
ESS-1830	19"	30"
ESS-2430	25"	30"
ESS-3630	37"	30"
ESS-4830	49"	30"
ESS-6030	61"	30"
ESS-7230	73"	30"

ECONOMY EQUIPMENT STAND

STANDS - EQUIPMENT

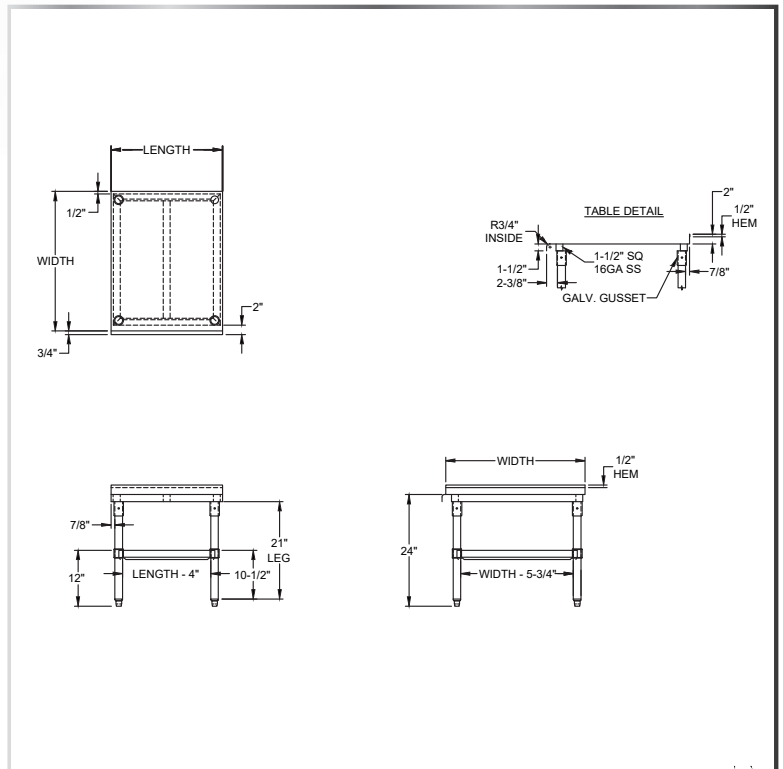


MATERIALS

- 18 Gauge 430 Series Stainless Steel Top
- Galvanized Legs and Lower Shelf
- Plastic Bullet Feet

FEATURES

- 2" Turned Up Edge on Back and Sides
- Adjustable Lower Shelf and Bullet Feet
 - *ESG-7230 Has 6 Legs



MODEL NUMBER	LENGTH	WIDTH
ESG-1530	16"	30"
ESG-1830	19"	30"
ESG-2430	25"	30"
ESG-3630	37"	30"
ESG-4830	49"	30"
ESG-6030	61"	30"
ESG-7230	73"	30"

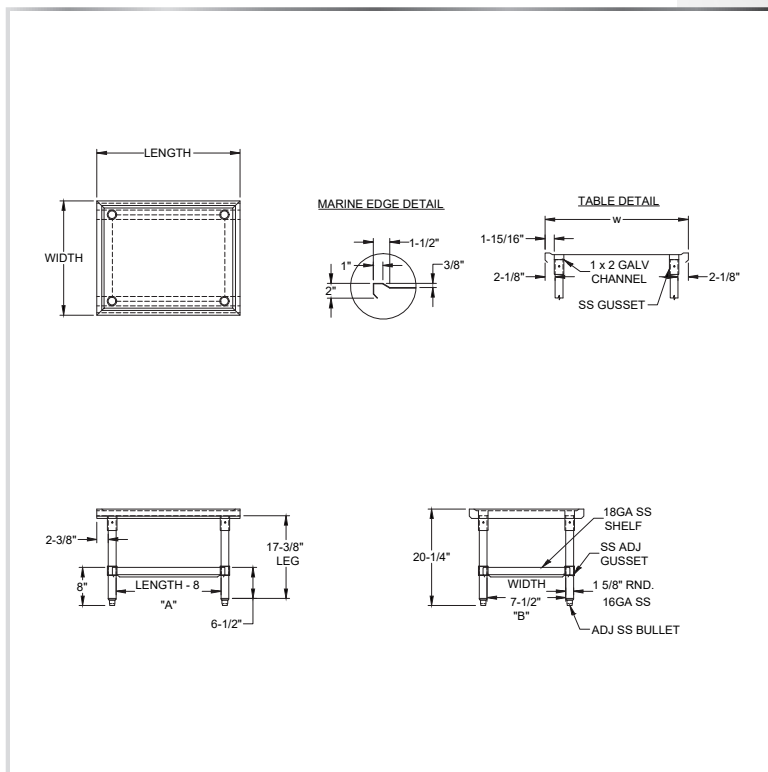
PREMIUM MACHINE STAND

STANDS - MACHINE



MATERIALS

- 14 Gauge 300 Series Stainless Steel Top
- Stainless Steel Lower Shelf, Legs, and Bullet Feet



FEATURES

- Marine Edges
- Adjustable Lower Shelf and Bullet Feet
- Heavy Duty

MODEL NUMBER	LENGTH	WIDTH
MSS-2424	24"	24"
MSS-3024	30"	24"
MSS-3030	30"	30"
MSS-3630	36"	30"

ECONOMY MACHINE STAND

STANDS - MACHINE

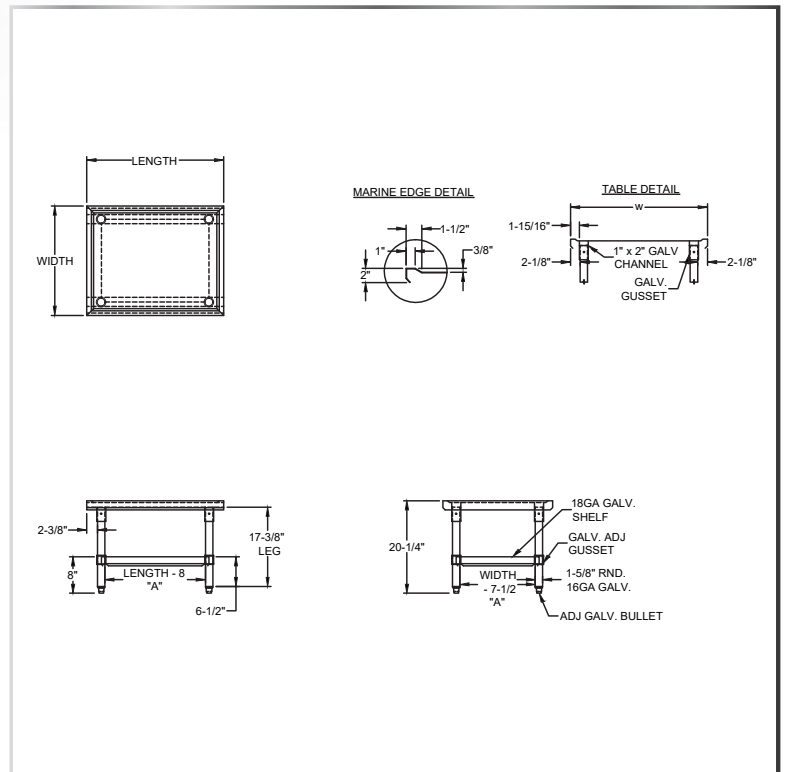


MATERIALS

- 14 Gauge 300 Series Stainless Steel Top
- Galvanized Lower Shelf, Legs, and Bullet Feet

FEATURES

- Marine Edges
- Adjustable Lower Shelf and Bullet Feet
- Heavy Duty



MODEL NUMBER	LENGTH	WIDTH
MSG-2424	24"	24"
MSG-3024	30"	24"
MSG-3030	30"	30"
MSG-3630	36"	30"

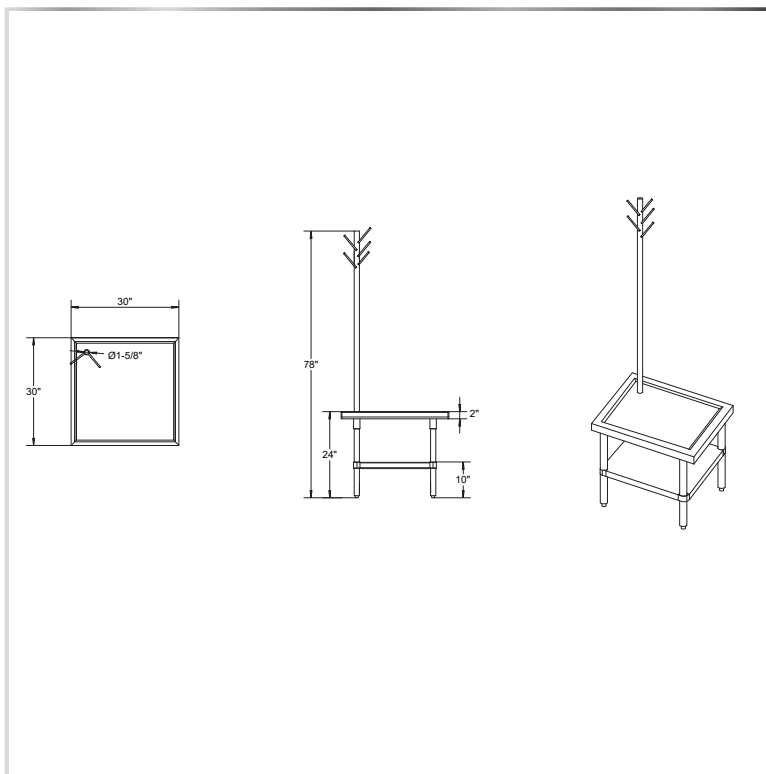
MIXER STAND

STANDS - MIXER



MATERIALS

- 14 Gauge 304 Series Stainless Steel Top
- 18 Gauge 304 Series Stainless Steel Undershelf With Aluminum Corners
- Stainless Steel Cross-Bracing, Legs, and Bullet Feet



FEATURES

- Marine Edges
- Adjustable Undershelf and Bullet Feet
- 78" High Stainless Steel Utensil Rack with Stainless Steel Hooks

MODEL NUMBER	LENGTH	WIDTH
MSS-3030UR	30"	30"

HEAVY DUTY CORNER WORK CABINET WITH ENCLOSED BASE

CABINETS - CORNER

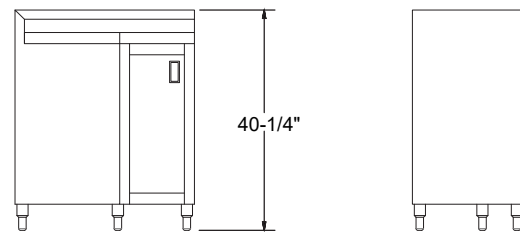
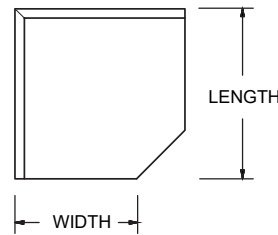


MATERIALS

- 14 Gauge 304 Series Stainless Steel Top
- 18 Gauge 304 Series Stainless Steel Base
- Stainless Steel Middle Shelf, Legs, and Panels on Sides and Rear

FEATURES

- 5" Backsplash
- Enclosed Cabinet Base
- Fully Welded and Assembled
- Adjustable Middle Shelf and Fixed Lower Shelf
- One Hinged Door
- Adjustable Legs



MODEL NUMBER	LENGTH	WIDTH
TCBC-3624R5	36"	24"
TCBC-4830R5	48"	30"

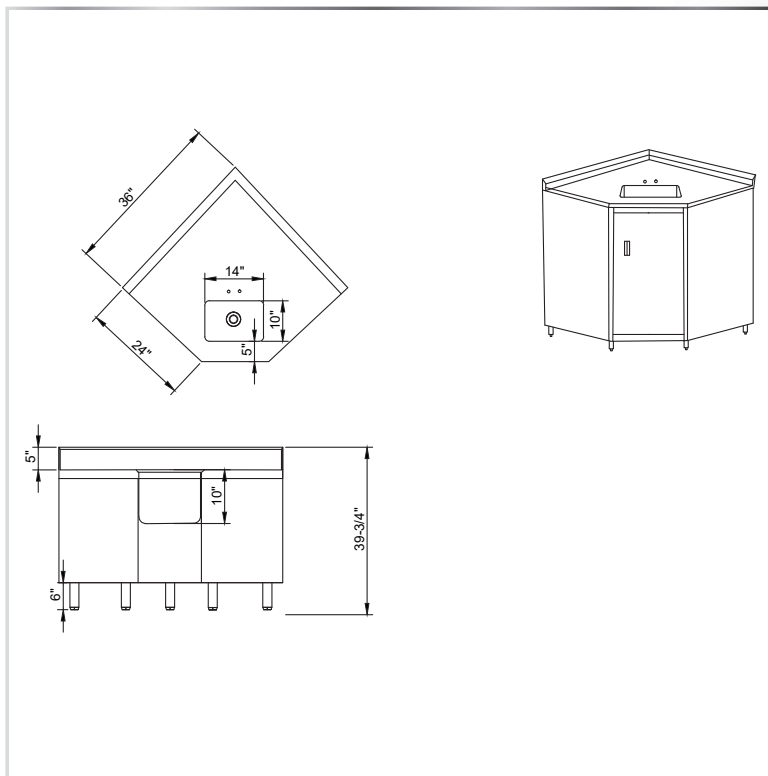
CORNER CABINET WITH SINK

CABINETS - CORNER



MATERIALS

- 14 Gauge 304 Series Stainless Steel Top
- 18 Gauge 304 Series Stainless Steel Base
- Stainless Steel Legs and Panels on Sides and Rear



FEATURES

- 14" x 10" x 10" Welded-In Sink Bowl
- Enclosed Cabinet Base
- Comes Fully Welded and Assembled
- One Hinged Door
- Adjustable Legs
- Drain Basket Included

MODEL NUMBER	BOWL SIZE L X W X H	LENGTH	WIDTH
TCBC-3624R5-1410	14" x 10" x 10"	36"	24"

OPEN FRONT DISH CABINET

CABINETS - DISH

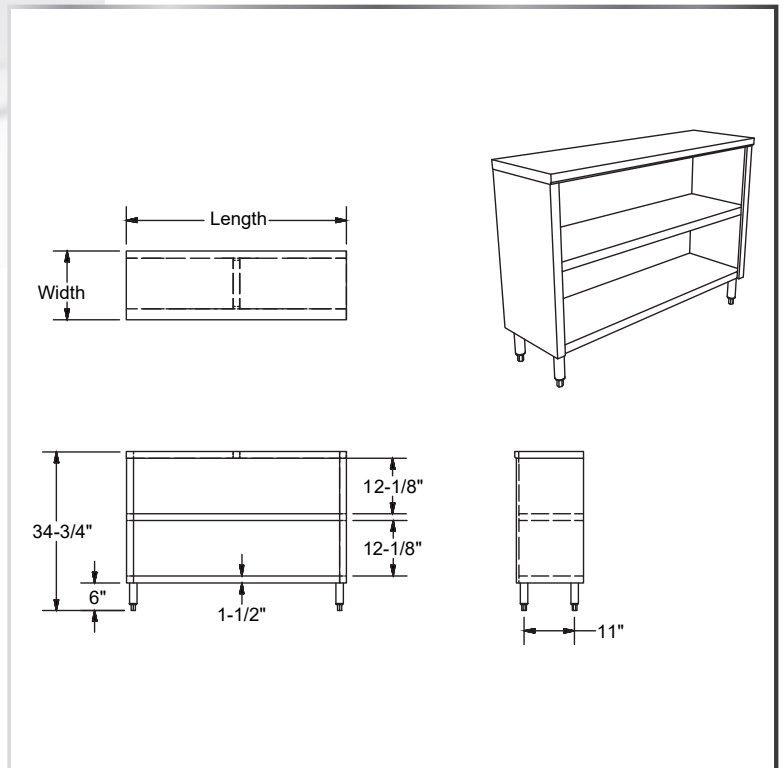


MATERIALS

- 14 Gauge 300 Series Stainless Steel Top
- 18 Gauge Stainless Steel Base
- Stainless Steel Legs and Bullet Feet

FEATURES

- Fixed Middle Shelf Position
 - Adjustable Bullet Feet



MODEL NUMBER	LENGTH	WIDTH
DC-1536	36"	15"
DC-1548	48"	15"
DC-1560	60"	15"
DC-1572	72"	15"
DC-1836	36"	18"
DC-1848	48"	18"
DC-1860	60"	18"
DC-1872	72"	18"

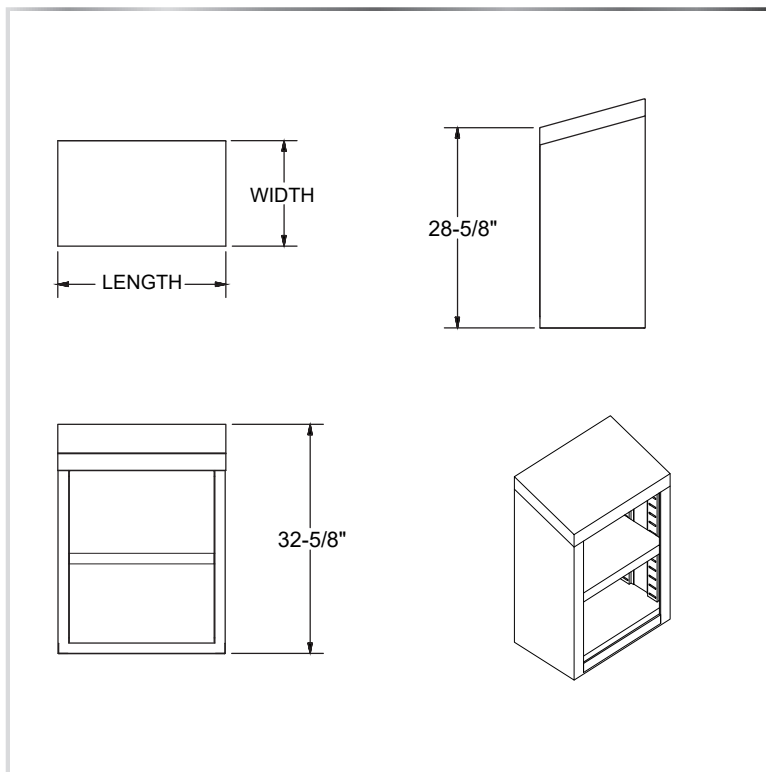
WALL CABINET - OPEN FRONT

CABINETS - WALL



MATERIALS

- 18 Gauge 304 Series Stainless Steel Construction



FEATURES

- Easy Mount to Wall
- Adjustable Middle Shelf

MODEL NUMBER	LENGTH	WIDTH
WCO-1524	24"	15"
WCO-1530	30"	15"
WCO-1536	36"	15"
WCO-1548	48"	15"

WALL CABINET WITH DOORS

CABINETS - WALL

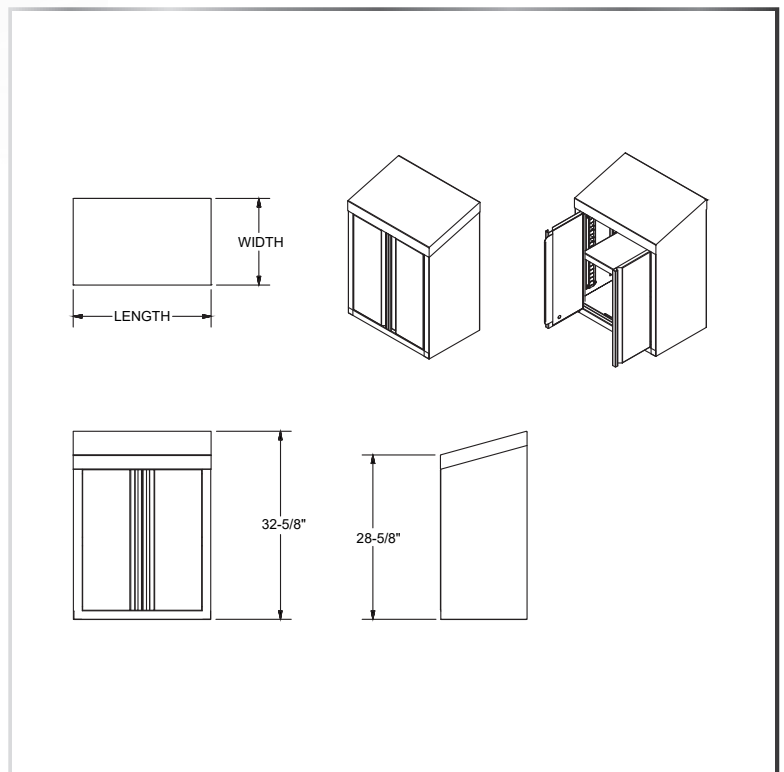


MATERIALS

- 18 Gauge 304 Series Stainless Steel Construction

FEATURES

- Easy Mount to Wall
- Adjustable Middle Shelf
- Two Solid Double-Pin Hinged Doors



MODEL NUMBER	LENGTH	WIDTH
WCH-1524	24"	15"
WCH-1530	30"	15"
WCH-1536	36"	15"
WCH-1548	48"	15"

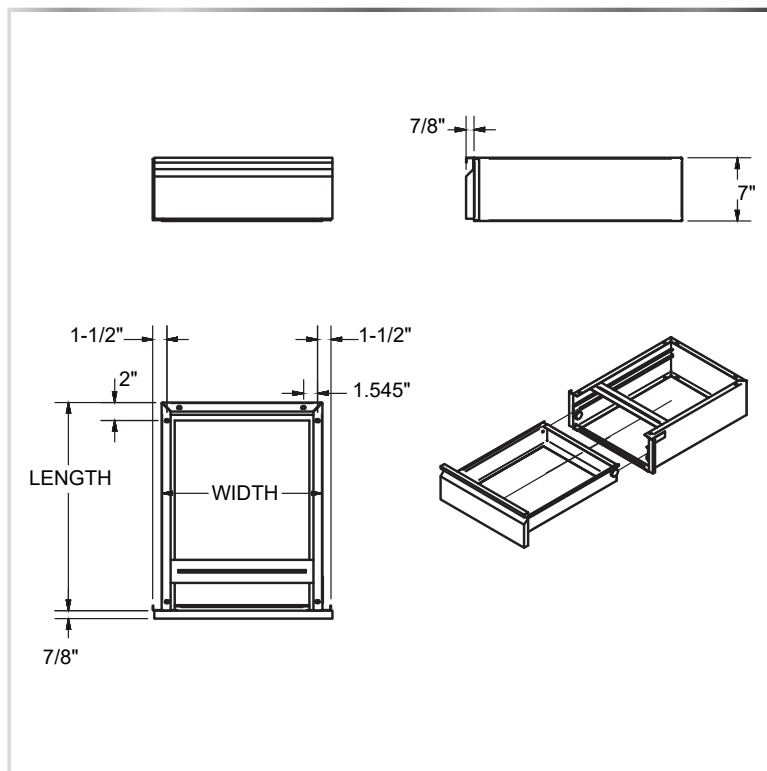
SELF-CLOSING TABLE DRAWER & DRAWER PANS

WORKTABLES - ACCESSORIES



MATERIALS

- 18 Gauge 300 Series Stainless Steel; Fabricated



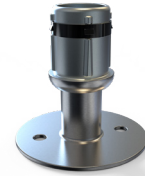
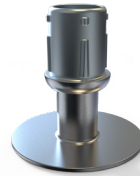
FEATURES

- 200 lbs. Capacity
- Universal Mounting Kit Included
- ADA Compliant
- Drawer Pan 5" Deep

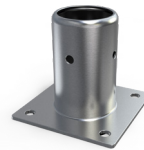
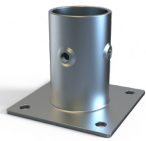
MODEL NUMBER	LENGTH	WIDTH	LOCK
TDR-1820	21"	21-7/8"	No Lock
TDR-1820L	21"	21-7/8"	With Lock
TDR-2015	23"	17-7/8"	No Lock
TDR-2015L	23"	17-7/8"	With Lock
TDR-2020	23"	23-7/8"	No Lock
TDR-2020L	23"	23-7/8"	With Lock
PAN-2015	20"	15"	N/A
PAN-2020	20"	20"	N/A

****TDR-1820 and TDR-1820L Fit On 18" Wide Tables ONLY****

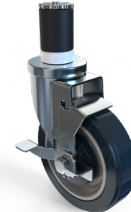
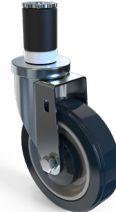
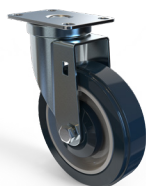
TABLE ACCESSORIES



MODEL NUMBER	FT-RS	FT-RG	FT-RSF	FT-RSFH	LS-G
NAME	Adjustable Bullet Foot	Adjustable Bullet Foot	Adjustable Round Flange Foot	Adjustable Round Flange Foot	Leg Socket
SIZE	1-5/8"	1-5/8"	1-5/8"	1-5/8"	1-5/8"
DESCRIPTION	Round and Adjustable	Round and Adjustable	Round and Adjustable	Round and Adjustable	Round
MATERIAL	Stainless Steel	Galvanized Steel	Stainless Steel	Stainless Steel	Galvanized Steel
PLATE	No Plate	No Plate	With Plate (0 Holes)	With Plate (2 Holes)	No Plate



MODEL NUMBER	LS-GP	LS-S	LS-SP	LS-1	LSM-S
NAME	Leg Socket	Leg Socket	Leg Socket	Leg With Plate	Mini Leg Socket
SIZE	1-5/8"	1-5/8"	1-5/8"	1-5/8" x 6"	Fits 1-5/8" Tubing
DESCRIPTION	Square	Round	Square	Square	Double-Bevelled Gusset
MATERIAL	Galvanized Steel	Stainless Steel	Stainless Steel	Stainless Steel	Stainless Steel
PLATE	With Plate (4 Holes)	No Plate	With Plate (4 Holes)	With Plate (4 Holes)	No Plate

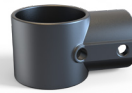


MODEL NUMBER	3TP-5-PU-B	3TP-5-PU-B-TLB	ES-5-PU-B	ES-5-PU-B-TLB	SD-1
NAME	Caster With Top Plate	Caster With Top Plate & Brake	Caster With Adjustable Stem	Caster With Adj Stem & Brake	Soap Dispenser
SIZE	6"H	6"H	6"H	6"H	Fits In 1" Hole
DESCRIPTION	2-3/8" x 3-5/8" Plate, 1-1/4"W Wheel, 5" Diameter	2-3/8" x 3-5/8" Plate, 1-1/4"W Wheel, 5" Diameter	1-1/4"W Wheel, 5" Diameter, Ball Bearing	1-1/4"W Wheel, 5" Diameter, Ball Bearing	

TABLE ACCESSORIES



MODEL NUMBER	CASTER LEG SETS
LC-G4	Casters, 5" Set of 4, Two With Brakes Two Without, with Galvanized Legs for Overall Height of 35-1/2" Standard Table
LC-G6	Casters, 5" Set of 6, Two With Brakes Four Without, with Galvanized Legs for Overall Height of 35-1/2" Standard Table
LC-S4	Casters, 5" Set of 4, Two With Brakes Two Without, with Stainless Steel Legs for Overall Height of 35-1/2" Standard Table
LC-S6	Casters, 5" Set of 6, Two With Brakes Four Without, with Stainless Steel Legs for Overall Height of 35-1/2" Standard Table



MODEL NUMBER	LC-S	LC-G	BR-1	BR-2	BR-3
NAME	Stainless Steel Caster Leg	Galvanized Caster Leg	End Cross-Brace Fitting	Corner Cross-Brace Fitting	Center Cross-Brace Fitting
SIZE	1-5/8"D, 28-3/4"L	1-5/8"D, 28-3/4"L	1-1/4" Bracing	1-1/4" Bracing	1-1/4" Bracing
MATERIAL	Stainless Steel	Galvanized Steel	Aluminum	Aluminum	Aluminum



MODEL NUMBER	HK1	HK2	PR-T24*
NAME	Single Prong Hook For Pot Racks	Double Prong Hook For Pot Racks	Pot Rack & Utensil Bar
SIZE	1/4" Rod	1/4" Rod	Fits 24" Tables
MATERIAL	Stainless Steel	Stainless Steel	Stainless Steel

***ALSO AVAILABLE IN SIZES:
PR-T30
PR-T36**

CROSS-BRACE SETS



MODEL NUMBER	DESCRIPTION
CRG-2424	Galvanized, (3) CBSRG-24, (2) BR-1 (2) BR-2, Fits 24" X 24" Worktables
CRG-2430	Galvanized, (2) CBSRG-24, (1) CBBRG-30, (2) BR-1 (2) BR-2, Fits 30" X 24" Worktables
CRG-2436	Galvanized, (2) CBSRG-24, (1) CBBRG-36, (2) BR-1 (2) BR-2, Fits 36" X 24" Worktables
CRG-2448	Galvanized, (2) CBSRG-24, (1) CBBRG-48, (2) BR-1 (2) BR-2, Fits 48" X 24" Worktables
CRG-2460	Galvanized, (2) CBSRG-24, (1) CBBRG-60, (2) BR-1 (2) BR-2, Fits 60" X 24" Worktables
CRG-2472	Galvanized, (2) CBSRG-24, (1) CBBRG-72, (2) BR-1 (2) BR-2, Fits 72" X 24" Worktables
CRG-2484	Galvanized, (3) CBSRG-24, (2) CBBRG-84, (3) BR-1, (2) BR-2 & (1) BR-3, Fits 84" X 24" Worktables
CRG-2496	Galvanized, (3) CBSRG-24, (2) CBBRG-96, (3) BR-1, (2) BR-2 & (1) BR-3, Fits 96" X 24" Worktables
CRG-3030	Galvanized, (2) CBSRG-30, (1) CBBRG-30, (2) BR-1 (2) BR-2, Fits 30" X 30" Worktables
CRG-3036	Galvanized, (2) CBSRG-30, (1) CBBRG-36, (2) BR-1 (2) BR-2, Fits 36" X 30" Worktables
CRG-3048	Galvanized, (2) CBSRG-30, (1) CBBRG-48, (2) BR-1 (2) BR-2, Fits 48" X 30" Worktables
CRG-3060	Galvanized, (2) CBSRG-30, (1) CBBRG-60, (2) BR-1 (2) BR-2, Fits 60" X 30" Worktables
CRG-3072	Galvanized, (2) CBSRG-30, (1) CBBRG-72, (2) BR-1 (2) BR-2, Fits 72" X 30" Worktables
CRG-3084	Galvanized, (3) CBSRG-30, (2) CBBRG-84, (3) BR-1, (2) BR-2 & (1) BR-3, Fits 84" X 30" Worktables
CRG-3096	Galvanized, (3) CBSRG-30, (2) CBBRG-96, (3) BR-1, (2) BR-2 & (1) BR-3, Fits 96" X 30" Worktables
CRS-2424	Stainless, (3) CBSRS-24, (2) BR-1 (2) BR-2, Fits 24" X 24" Worktables
CRS-2430	Stainless, (2) CBSRS-24, (1) CBBRS-30, (2) BR-1 (2) BR-2, Fits 30" X 24" Worktables
CRS-2436	Stainless, (2) CBSRS-24, (1) CBBRS-36, (2) BR-1 (2) BR-2, Fits 36" X 24" Worktables
CRS-2448	Stainless, (2) CBSRS-24, (1) CBBRS-48, (2) BR-1 (2) BR-2, Fits 48" X 24" Worktables
CRS-2460	Stainless, (2) CBSRS-24, (1) CBBRS-60, (2) BR-1 (2) BR-2, Fits 60" X 24" Worktables
CRS-2472	Stainless, (2) CBSRS-24, (1) CBBRS-72, (2) BR-1 (2) BR-2, Fits 72" X 24" Worktables
CRS-2484	Stainless, (3) CBSRS-24, (2) CBBRS-84, (3) BR-1, (2) BR-2 & (1) BR-3, Fits 84" X 24" Worktables
CRS-2496	Stainless, (3) CBSRS-24, (2) CBBRS-96, (3) BR-1, (2) BR-2 & (1) BR-3, Fits 96" X 24" Worktables
CRS-3030	Stainless, (2) CBSRS-30, (1) CBBRS-30, (2) BR-1 (2) BR-2, Fits 30" X 30" Worktables
CRS-3036	Stainless, (2) CBSRS-30, (1) CBBRS-36, (2) BR-1 (2) BR-2, Fits 36" X 30" Worktables
CRS-3048	Stainless, (2) CBSRS-30, (1) CBBRS-48, (2) BR-1 (2) BR-2, Fits 48" X 30" Worktables
CRS-3060	Stainless, (2) CBSRS-30, (1) CBBRS-60, (2) BR-1 (2) BR-2, Fits 60" X 30" Worktables
CRS-3072	Stainless, (2) CBSRS-30, (1) CBBRS-72, (2) BR-1 (2) BR-2, Fits 72" X 30" Worktables
CRS-3084	Stainless, (3) CBSRS-30, (2) CBBRS-84, (3) BR-1, (2) BR-2 & (1) BR-3, Fits 84" X 30" Worktables
CRS-3096	Stainless, (3) CBSRS-30, (2) CBBRS-96, (3) BR-1, (2) BR-2 & (1) BR-3, Fits 96" X 30" Worktables
CRS-3648	Stainless, (2) CBSRS-36, (1) CBBRS-48, (2) BR-1 (2) BR-2, Fits 48" X 36" Worktables
CRS-3660	Stainless, (2) CBSRS-36, (1) CBBRS-60, (2) BR-1 (2) BR-2, Fits 60" X 36" Worktables
CRS-3672	Stainless, (2) CBSRS-36, (1) CBBRS-72, (2) BR-1 (2) BR-2, Fits 72" X 36" Worktables

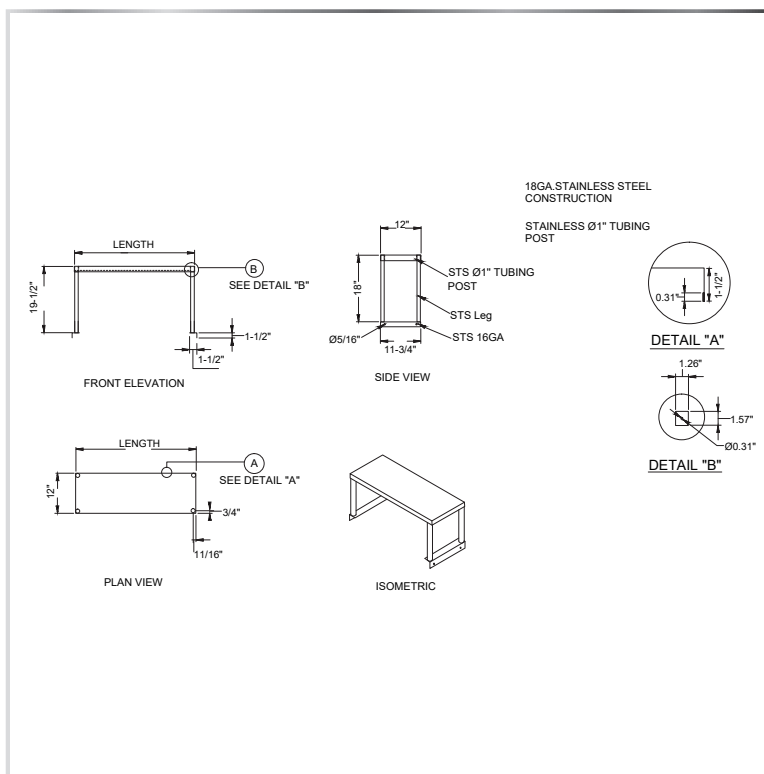
SINGLE RACK OVER SHELF FOR REFRIGERATED UNITS

SHELVING - REFRIGERATION



MATERIALS

- 18 Gauge 300 Series Stainless Steel



FEATURES

- One Fixed Rack
- Square Turndown Edges
- Custom Refrigerator Counter Mounting Brackets Included

MODEL NUMBER	LENGTH	WIDTH
PSMS-1248S	48"	12"
PSMS-1260S	60"	12"
PSMS-1272S	72"	12"
PSMS-1848S	48"	18"
PSMS-1860S	60"	18"
PSMS-1872S	72"	18"

(609) 642 - 8389 | SALES@NBREQUIPMENT.COM | WWW.NBREQUIPMENT.COM

NBR EQUIPMENT, 10 ABEEL ROAD, CRANBURY, NJ 08512

DOUBLE RACK OVER SHELF FOR REFRIGERATED UNITS

SHELVING - REFRIGERATION

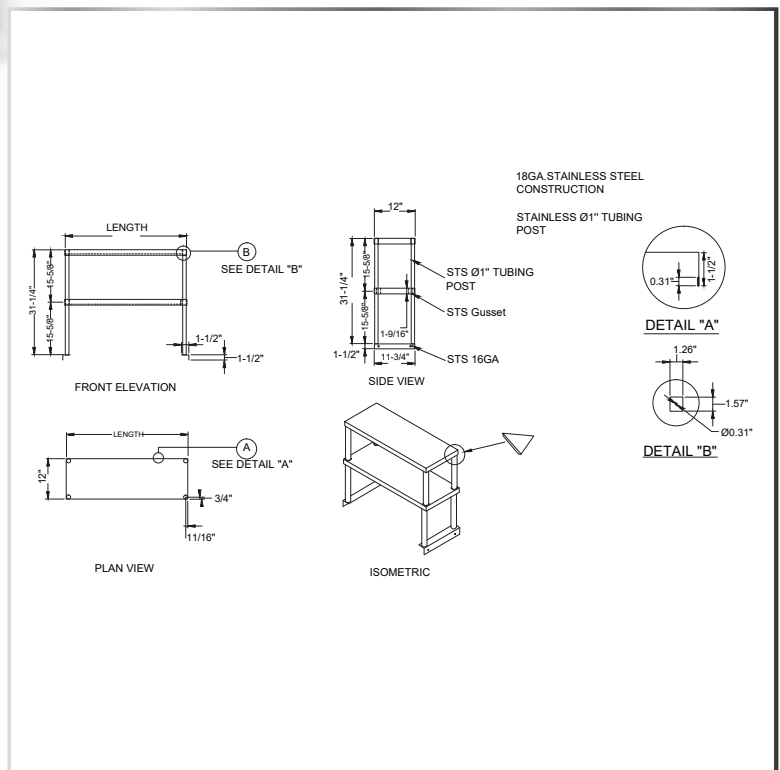


MATERIALS

- 18 Gauge 300 Series Stainless Steel

FEATURES

- Two Racks (1 Fixed, 1 Adjustable)
 - Square Turndown Edges
 - Custom Refrigerator Counter Mounting Brackets Included



MODEL NUMBER	LENGTH	WIDTH
PSMS-1248D	48"	12"
PSMS-1260D	60"	12"
PSMS-1272D	72"	12"
PSMS-1848D	48"	18"
PSMS-1860D	60"	18"
PSMS-1872D	72"	18"

(609) 642 - 8389 | SALES@NBREQUIPMENT.COM | WWW.NBREQUIPMENT.COM

NBR EQUIPMENT, 10 ABEEL ROAD, CRANBURY, NJ 08512

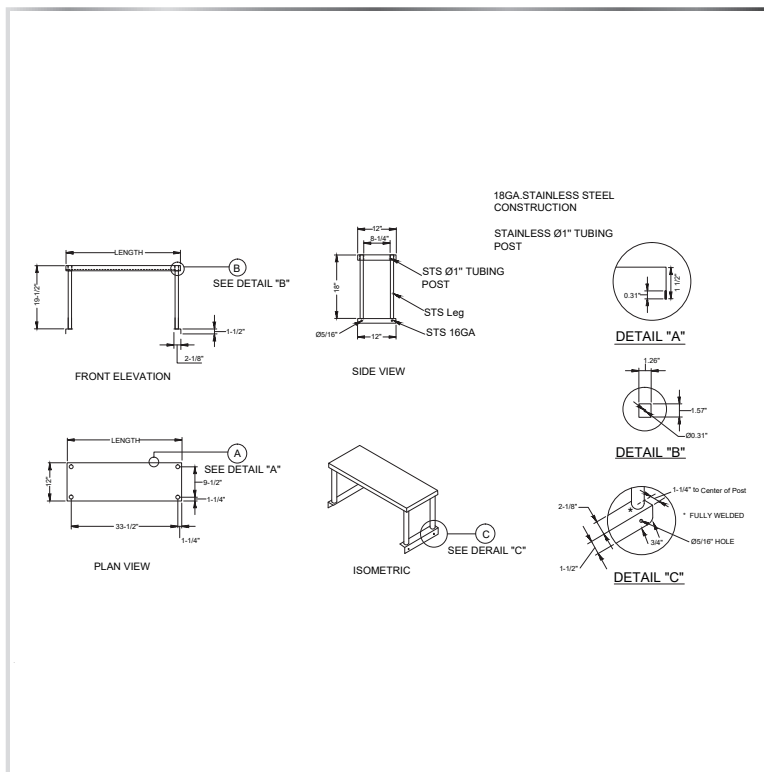
SINGLE RACK TABLE MOUNTED OVER SHELF



SHELVING - TABLE

MATERIALS

- 18 Gauge 300 Series Stainless Steel



FEATURES

- Includes Single Rack
- Square Turndown Edges

MODEL NUMBER	LENGTH	WIDTH
TMS-1236S	36"	12"
TMS-1248S	48"	12"
TMS-1260S	60"	12"
TMS-1272S	72"	12"
TMS-1296S	96"	12"

MODEL NUMBER	LENGTH	WIDTH
TMS-1836S	36"	18"
TMS-1848S	48"	18"
TMS-1860S	60"	18"
TMS-1872S	72"	18"
TMS-1896S	96"	18"

(609) 642 - 8389 | SALES@NBREQUIPMENT.COM | WWW.NBREQUIPMENT.COM
NBR EQUIPMENT, 10 ABEEL ROAD, CRANBURY, NJ 08512

DOUBLE RACK TABLE MOUNTED OVER SHELF

SHELVING - TABLE

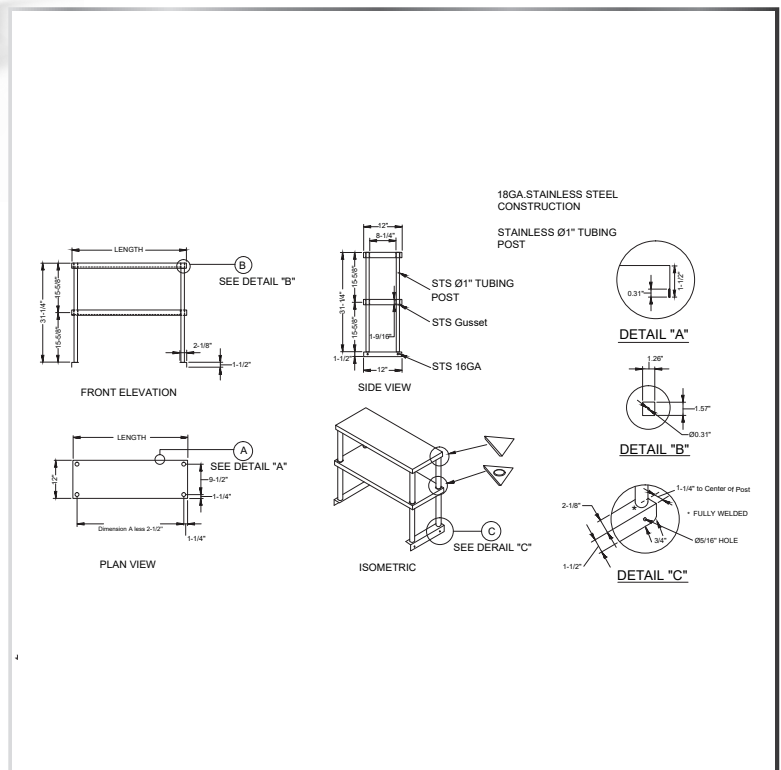


MATERIALS

- 18 Gauge 300 Series Stainless Steel

FEATURES

- Two Racks (1 Fixed, 1 Adjustable)
 - Square Turndown Edges



MODEL NUMBER	LENGTH	WIDTH
TMS-1236D	36"	12"
TMS-1248D	48"	12"
TMS-1260D	60"	12"
TMS-1272D	72"	12"
TMS-1296D	96"	12"

MODEL NUMBER	LENGTH	WIDTH
TMS-1836D	36"	18"
TMS-1848D	48"	18"
TMS-1860D	60"	18"
TMS-1872D	72"	18"
TMS-1896D	96"	18"

(609) 642 - 8389 | SALES@NBREQUIPMENT.COM | WWW.NBREQUIPMENT.COM
NBR EQUIPMENT, 10 ABEEL ROAD, CRANBURY, NJ 08512

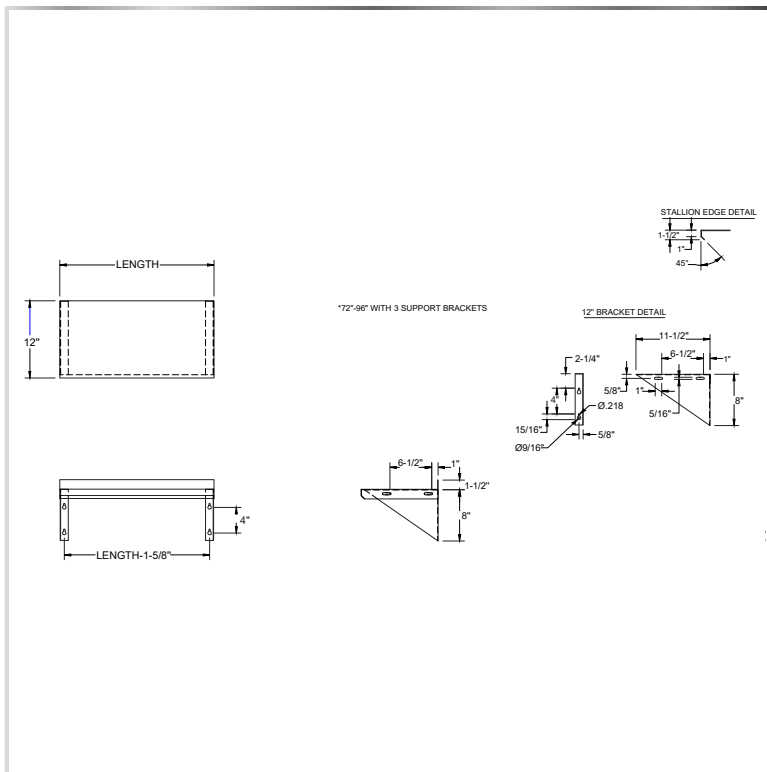
PREMIUM WALL SHELF

SHELVING - WALL



MATERIALS

- 18 Gauge 304 Series Stainless Steel



FEATURES

- 1-1/2" Backsplash
- Straight Safety Edge Front
- Includes Support Brackets and Mounting Kit (* 3 Brackets For Lengths 72" and Above)

MODEL NUMBER	LENGTH	WIDTH
WS-1224	24"	12"
WS-1230	30"	12"
WS-1236	36"	12"
WS-1248	48"	12"
WS-1260	60"	12"
WS-1272*	72"	12"
WS-1284*	84"	12"
WS-1296*	96"	12"

MODEL NUMBER	LENGTH	WIDTH
WS-1624	24"	16"
WS-1630	30"	16"
WS-1636	36"	16"
WS-1648	48"	16"
WS-1660	60"	16"
WS-1672*	72"	16"
WS-1684*	84"	16"
WS-1696*	96"	16"

ECONOMY WALL SHELF

SHELVING - WALL



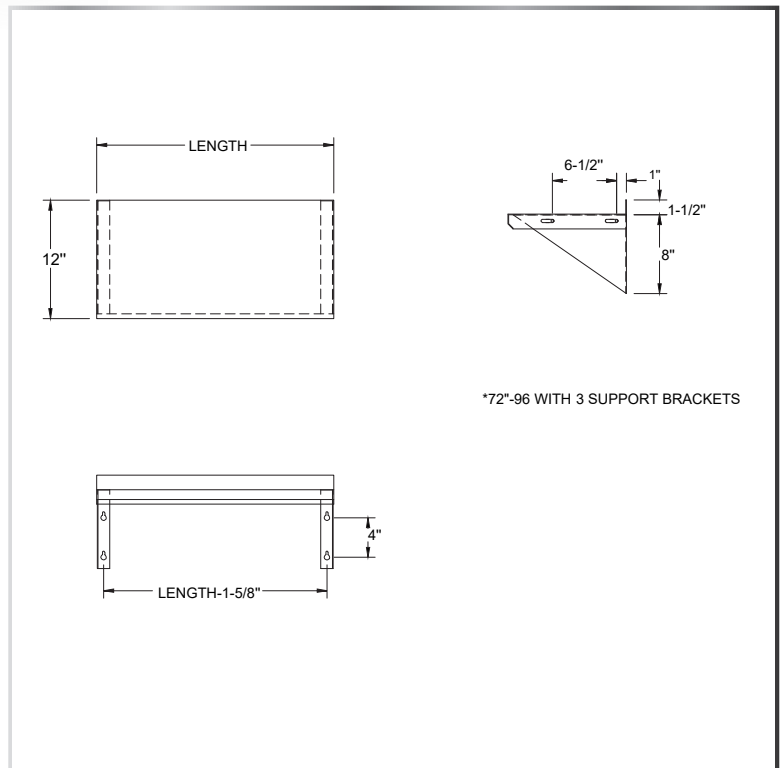
MATERIALS

- 18 Gauge 430 Series Stainless Steel



FEATURES

- 1-1/2" Backsplash
- Straight Safety Edge Front
- Includes Support Brackets and Mounting Kit (* 3 Brackets For Lengths 72" and Above)



MODEL NUMBER	LENGTH	WIDTH
WS-1224E	24"	12"
WS-1236E	36"	12"
WS-1248E	48"	12"
WS-1260E	60"	12"
WS-1272E*	72"	12"
WS-1284E*	84"	12"
WS-1296E*	96"	12"

MODEL NUMBER	LENGTH	WIDTH
WS-1624E	24"	16"
WS-1636E	36"	16"
WS-1648E	48"	16"
WS-1660E	60"	16"
WS-1672E*	72"	16"
WS-1684E*	84"	16"
WS-1696E*	96"	16"

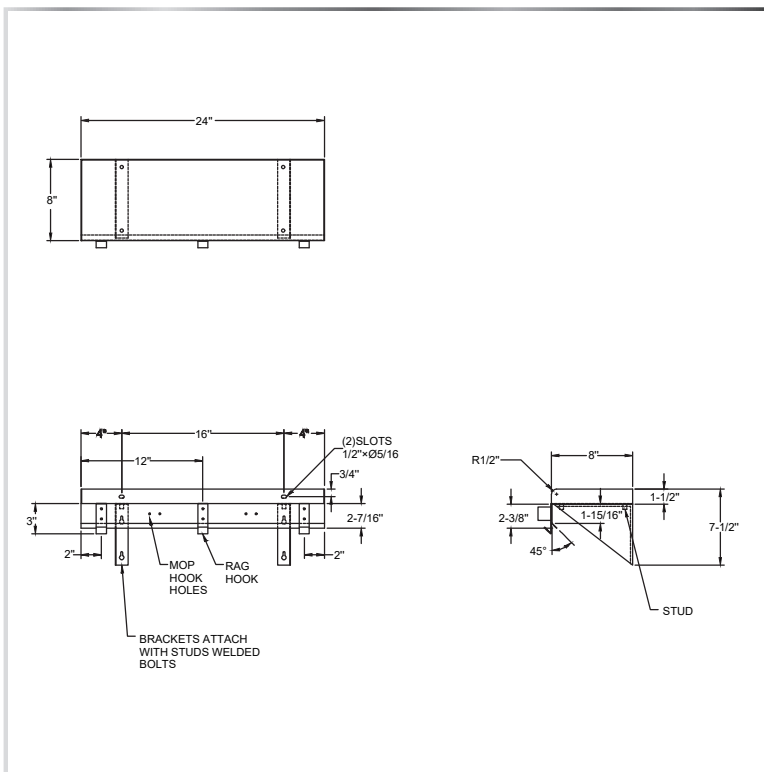
OPEN-BACK UTILITY SHELF

SHELVING - WALL



MATERIALS

- 18 Gauge 304 Series Stainless Steel



FEATURES

- Two Mop Hooks and Three Rag Hooks Mounted on Front
- Includes Mounting Kit

MODEL NUMBER	LENGTH	WIDTH
WS-US	24"	8"

WALL SHELF WITH POT RACK BAR

SHELVING - WALL



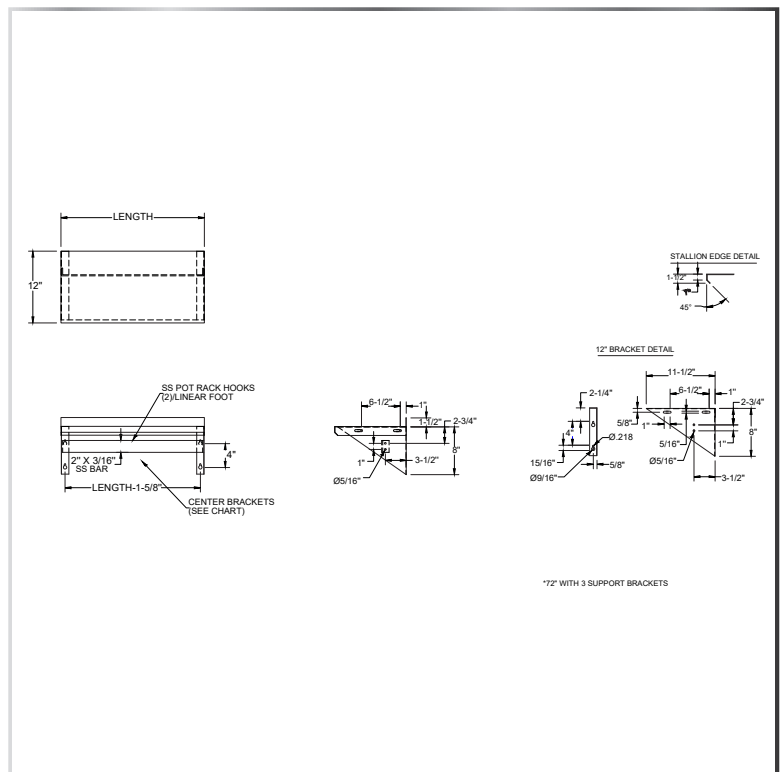
MATERIALS

- 18 Gauge 300 Series Stainless Steel
- Stainless Steel Pot Rack Bar and Hooks



FEATURES

- 1-1/2" Backsplash
- Includes 1 Mounting Hook Per Foot In Length
- Straight Safety Edge Front



MODEL NUMBER	LENGTH	WIDTH	NUMBER OF HOOKS
PS-1224	24"	12"	4
PS-1236	36"	12"	6
PS-1248	48"	12"	8
PS-1260	60"	12"	10
PS-1272	72"	12"	12

(609) 642 - 8389 | SALES@NBREQUIPMENT.COM | WWW.NBREQUIPMENT.COM
NBR EQUIPMENT, 10 ABEEL ROAD, CRANBURY, NJ 08512

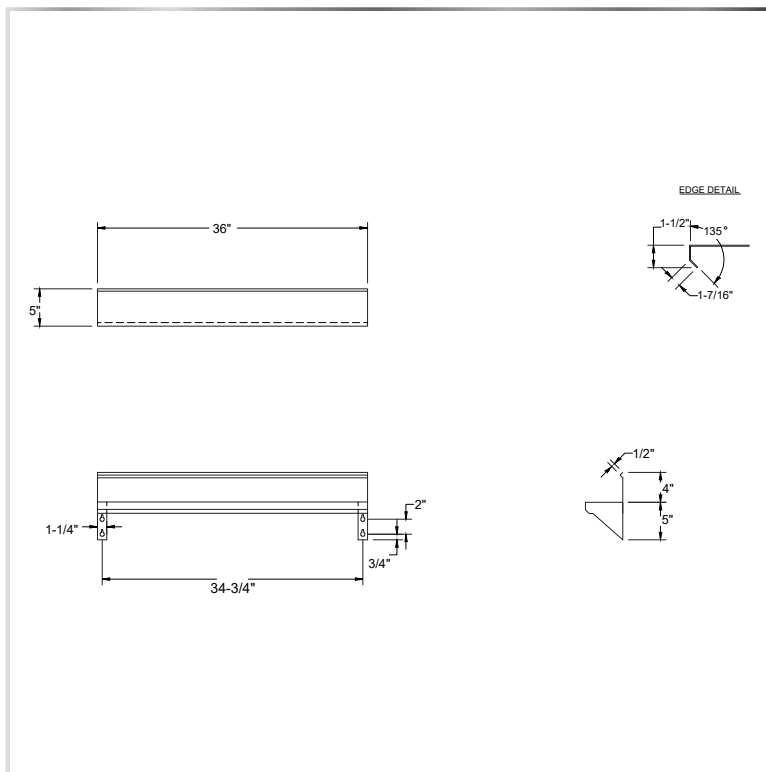
LAVATORY SHELF WITH 4" BACKSPLASH

SHELVING - WALL



MATERIALS

- 16 Gauge 300 Series Stainless Steel



FEATURES

- 4" Backsplash
- Includes Brackets and Mounting Kit

MODEL NUMBER	LENGTH	WIDTH
WS-16LSR	16"	5"
WS-18LSR	18"	5"
WS-24LSR	24"	5"
WS-36LSR	36"	5"
WS-48LSR	48"	5"

FLAT LAVATORY SHELF

SHELVING - WALL



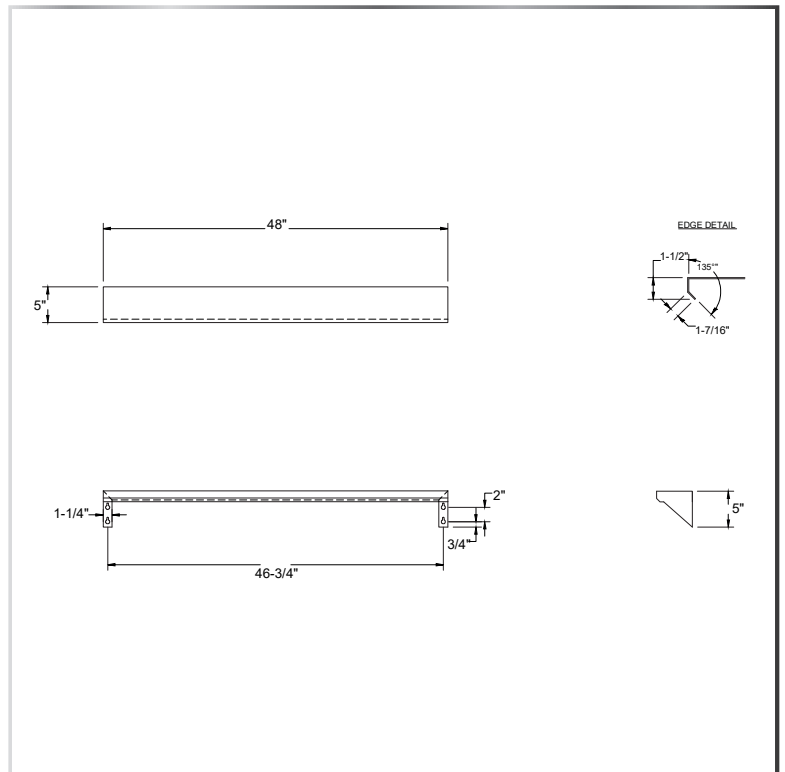
MATERIALS

- 16 Gauge 300 Series Stainless Steel



FEATURES

- Includes Brackets and Mounting Kit



MODEL NUMBER	LENGTH	WIDTH
WS-16LS	16"	5"
WS-18LS	18"	5"
WS-24LS	24"	5"
WS-36LS	36"	5"
WS-48LS	48"	5"

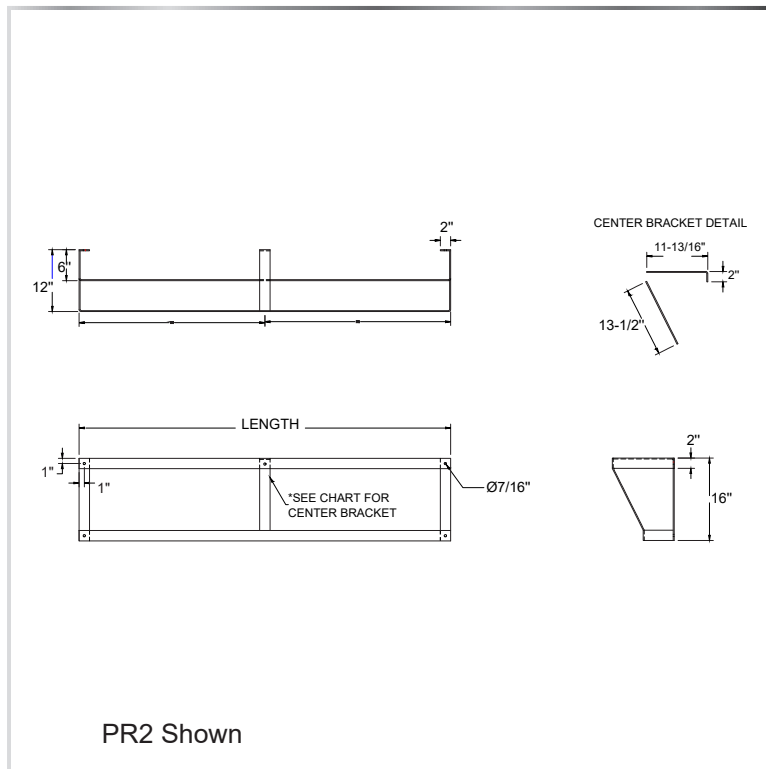
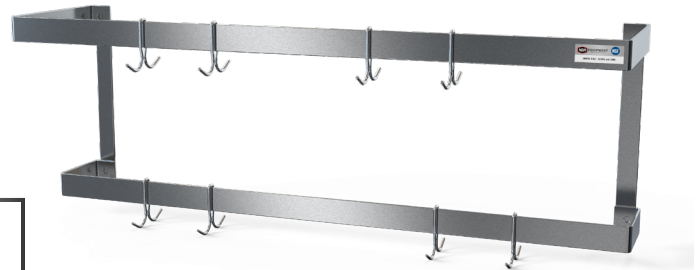
FLAT BAR POT RACK (SINGLE & DOUBLE BAR)



POT RACKS

MATERIALS

- 304 Series Stainless Steel



FEATURES

- Wall Mounted 2" Flat Bars
- Includes Stainless Steel Double Prong Hooks
- 12"D Top Bar (For Double)
- 6"D Bottom Bar (For Double)
- * Center Bracket For Lengths 72" and Above

MODEL NUMBER	LENGTH	WIDTH	NUMBER OF HOOKS
PR1-4	48"	12"	4
PR1-5	60"	12"	5
PR1-6	72"	12"	6
PR1-8	96"	12"	8
PR2-3	36"	12"	6
PR2-4	48"	12"	8
PR2-5	60"	12"	10
PR2-6*	72"	12"	12
PR2-8*	96"	12"	16

CEILING MOUNTED POT RACK

POT RACKS

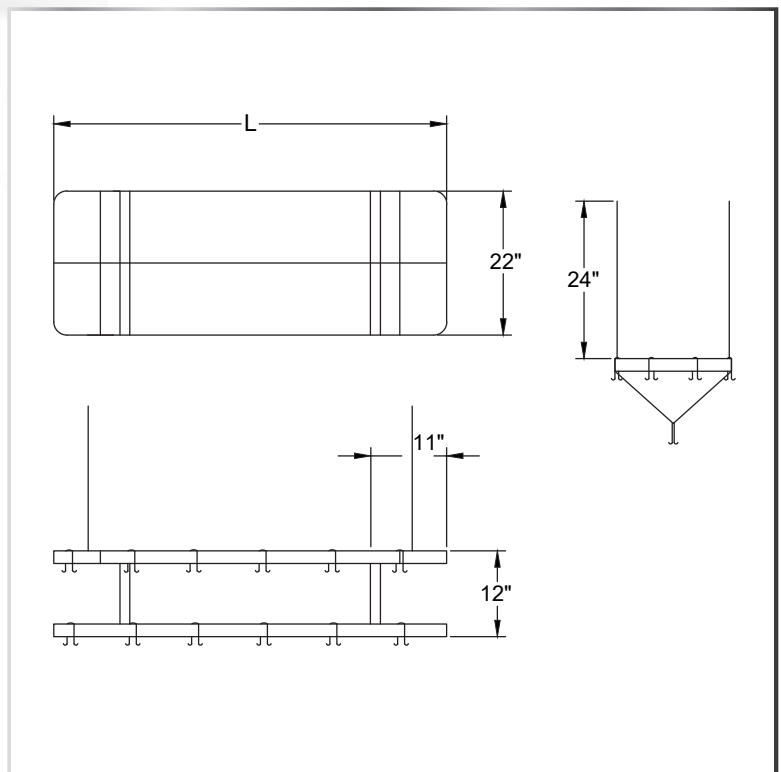


MATERIALS

- 304 Series Stainless Steel 2" x 1/4" Flat Bar
- 24" Stainless Steel Hanging Chains

FEATURES

- Triple Bar Design
- Includes Double Prong Stainless Steel Hooks
- All Units Shipped Knocked Down (Easy Assembly)



MODEL NUMBER	LENGTH	WIDTH	NUMBER OF HOOKS
CMPR-36	36"	22"	12
CMPR-48	48"	22"	12
CMPR-60	60"	22"	18
CMPR-72	72"	22"	18
CMPR-96	96"	22"	18

(609) 642 - 8389 | SALES@NBREQUIPMENT.COM | WWW.NBREQUIPMENT.COM
NBR EQUIPMENT, 10 ABEEL ROAD, CRANBURY, NJ 08512

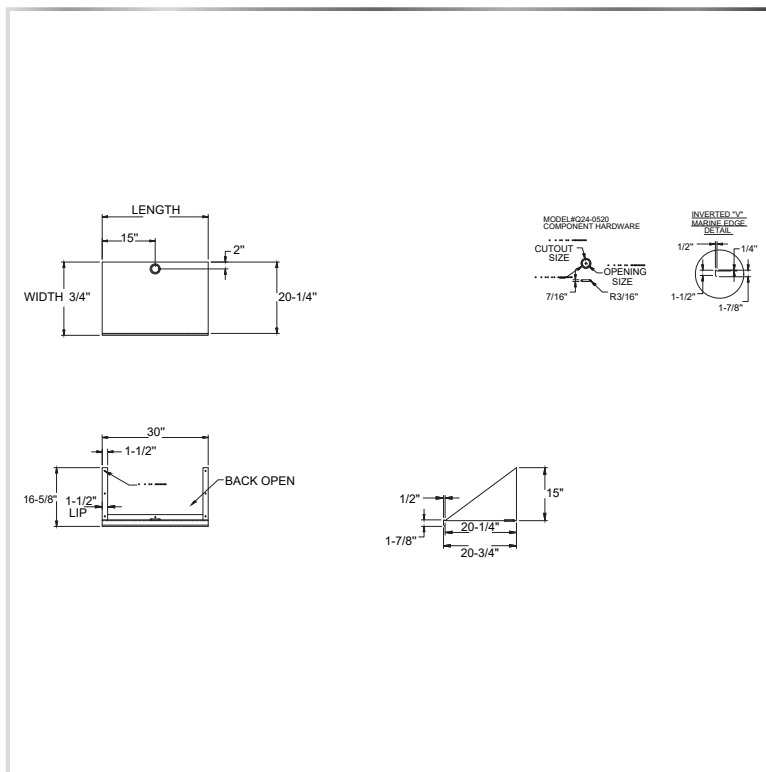
OPEN-BACK MICROWAVE SHELF

SHELVING - MICROWAVE



MATERIALS

- 18 Gauge 300 Series Stainless Steel



FEATURES

- Solid Base Wall Mounted Shelf
- 1-1/2" Mounting Back Lip
- 15" Angle Supports
- One Hole With Grommet for Appliance Cord
- Includes Mounting Kit

MODEL NUMBER	LENGTH	WIDTH
MWS-1824	24"	18"
MWS-2024	24"	20"
MWS-2424	24"	24"
MWS-2030	30"	20"

DECK MOUNT SLIM HAND DUMP SINK

UNDERBAR - SINKS

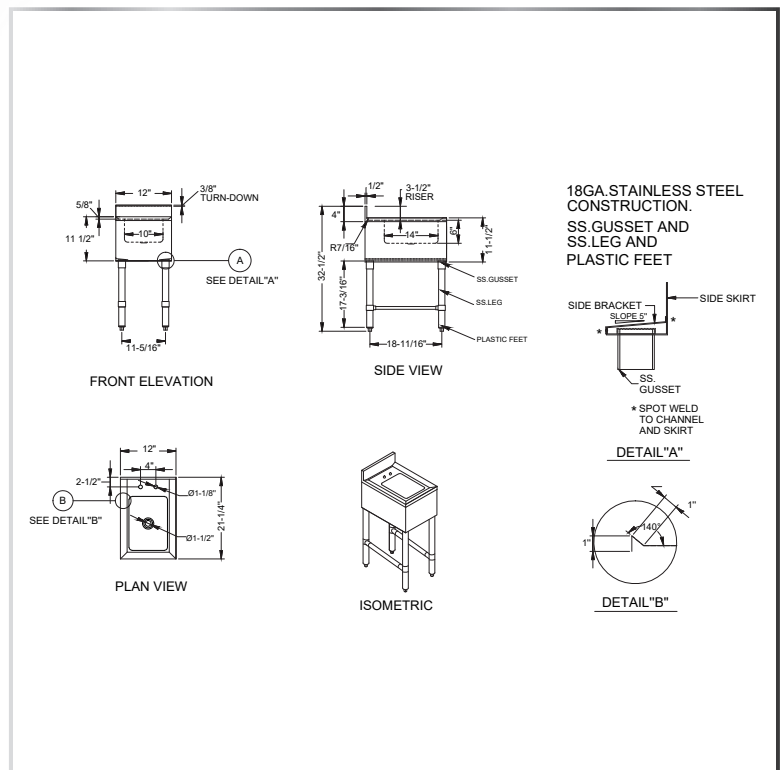


MATERIALS

- 18 Gauge 304 Series Stainless Steel; Fabricated
- Stainless Steel Legs and Cross-Bracing
- Plastic Adjustable Bullet Feet

FEATURES

- 4" On-Center Deck-Mounted Faucet Holes
- 6" Deep Sink Bowl
- Free-Standing



MODEL NUMBER	BOWL SIZE L X W X H	LENGTH	WIDTH
UD-1-1014-1221V	10" x 14" x 6"	12"	21-1/4"
UD-1-1014-1421V	10" x 14" x 6"	14-1/2"	21-1/4"

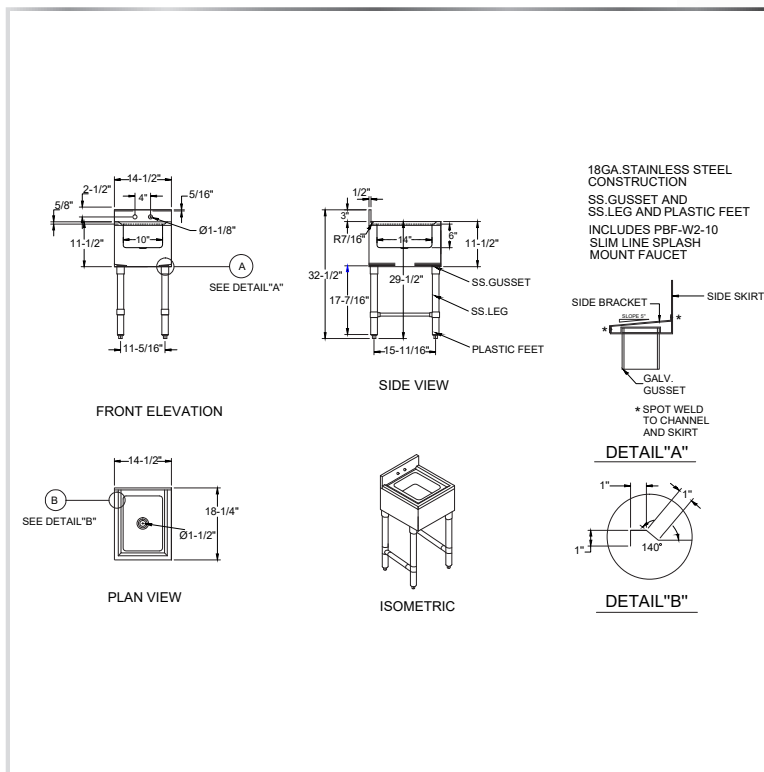
WALL MOUNT SLIM HAND DUMP SINK

UNDERBAR - SINKS



MATERIALS

- 18 Gauge 304 Series Stainless Steel; Fabricated
 - Stainless Steel Legs and Cross-Bracing
 - Plastic Adjustable Bullet Feet



FEATURES

- 4" On-Center Wall-Mounted Faucet Holes
- 6" Deep Sink Bowl
- Free-Standing

MODEL NUMBER	BOWL SIZE L X W X H	LENGTH	WIDTH
UW-1-1014-1418V	10" x 14" x 6"	14-1/2"	18-1/4"
UW-1-1014-1218V	10" x 14" x 6"	12"	18-1/4"

SLIM UNDER-BAR SINK WITH SOAP & TOWEL DISPENSER

UNDERBAR - SINKS

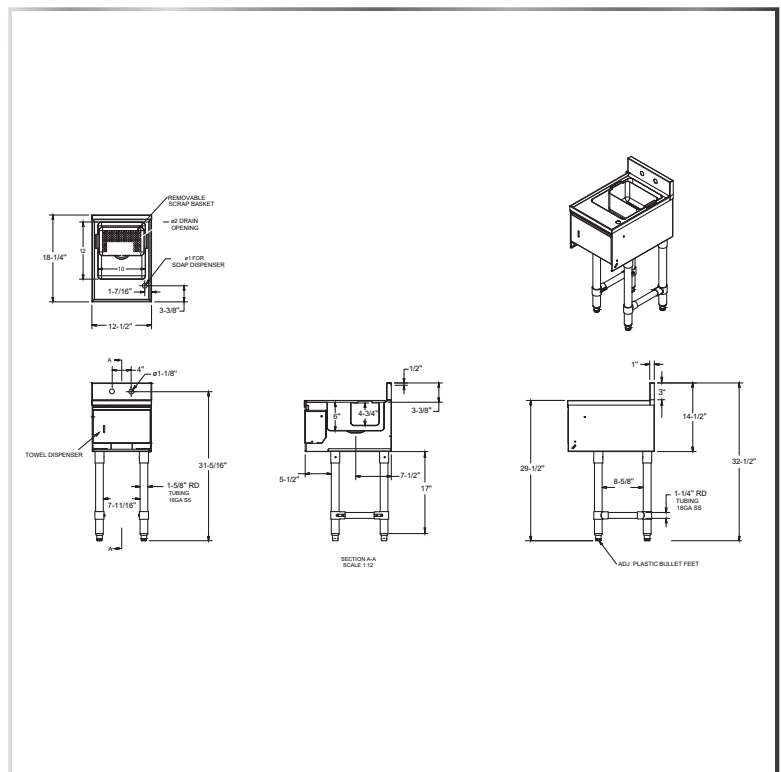


MATERIALS

- 18 Gauge 300 Series Stainless Steel; Fabricated
- Stainless Steel Legs and Cross-Bracing
- Plastic Adjustable Bullet Feet

FEATURES

- 4" On-Center Wall-Mounted Faucet Holes
 - 6" Deep Sink Bowl
 - Deck Mounted Soap Dispenser
 - Front Mounted Towel Dispenser
 - Includes Removable Drain Basket



MODEL NUMBER	BOWL SIZE L X W X H	LENGTH	WIDTH
UW-1-1012-1218-TDV	10" x 12" x 6"	12-1/2"	18-1/4"
UW-1-1012-1221-TDV	10" x 12" x 6"	12"	21-1/4"
UW-1-1012-1518-TDV	10" x 12" x 6"	15"	18-1/4"
UW-1-1012-1521-TDV	10" x 12" x 6"	15"	21-1/4"

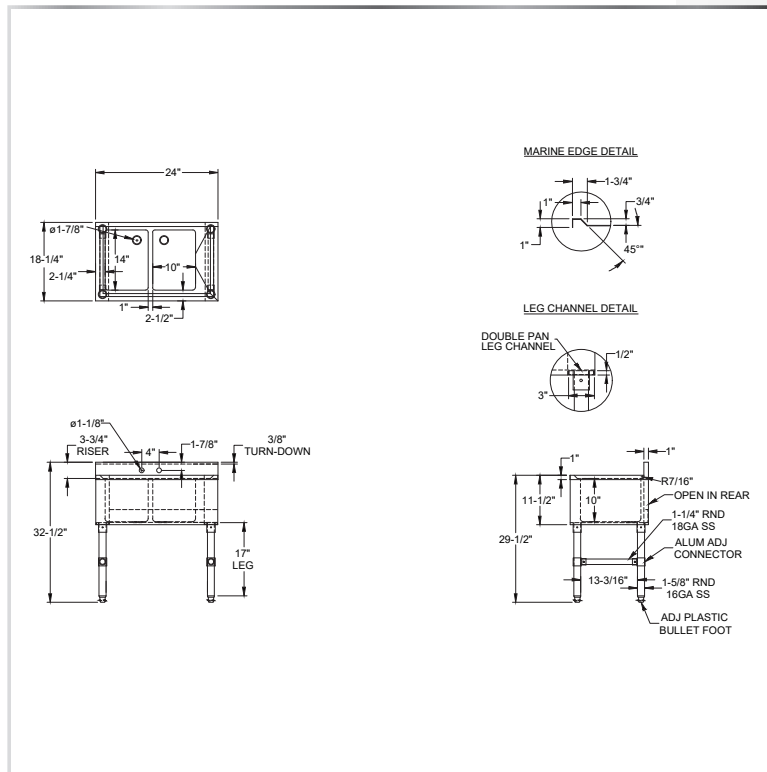
SLIM UNDERBAR SINK

UNDERBAR - SINKS



MATERIALS

- 18 Gauge 300 Series Stainless Steel; Fabricated
- Stainless Steel Apron on Front and Sides
 - Stainless Steel Legs and Cross-Bracing
- Plastic Adjustable Bullet Feet



FEATURES

- 4" On-Center Wall-Mounted Faucet Holes
- 10" Deep Sink Bowls
- Includes Drain Baskets and Removable Overflow Stand Pipes
- Marine Edges

MODEL NUMBER	BOWL SIZE L X W X H	LENGTH	WIDTH	NUMBER OF BOWLS
UW-2-101410-24	10" x 14" x 10"	24"	18-1/4"	2
UW-3-101410-36	10" x 14" x 10"	36"	18-1/4"	3
UW-4-101410-48	10" x 14" x 10"	48"	18-1/4"	4

SLIM UNDERBAR 1-DRAINBOARD SINK (LEFT)

UNDERBAR - SINKS

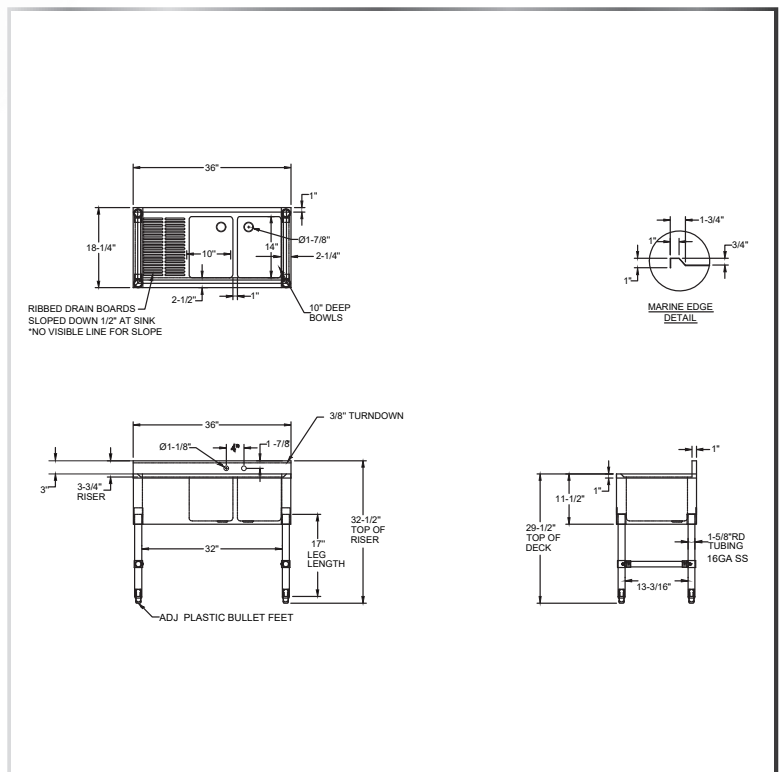


MATERIALS

- 18 Gauge 300 Series Stainless Steel; Fabricated
- Stainless Steel Apron on Front and Sides
- Stainless Steel Legs and Cross-Bracing
- Plastic Adjustable Bullet Feet

FEATURES

- 4" On-Center Wall-Mounted Faucet Holes
 - 10" Deep Sink Bowls
 - Includes Drain Baskets and Removable Overflow Stand Pipes
 - Marine Edges



MODEL NUMBER	BOWL SIZE L X W X H	LENGTH	WIDTH	NUMBER OF BOWLS
UW-2-101410-36L	10" x 14" x 10"	36"	18-1/4"	2
UW-2-101410-48L	10" x 14" x 10"	48"	18-1/4"	2
UW-3-101410-48L	10" x 14" x 10"	48"	18-1/4"	3
UW-3-101410-60L	10" x 14" x 10"	60"	18-1/4"	3

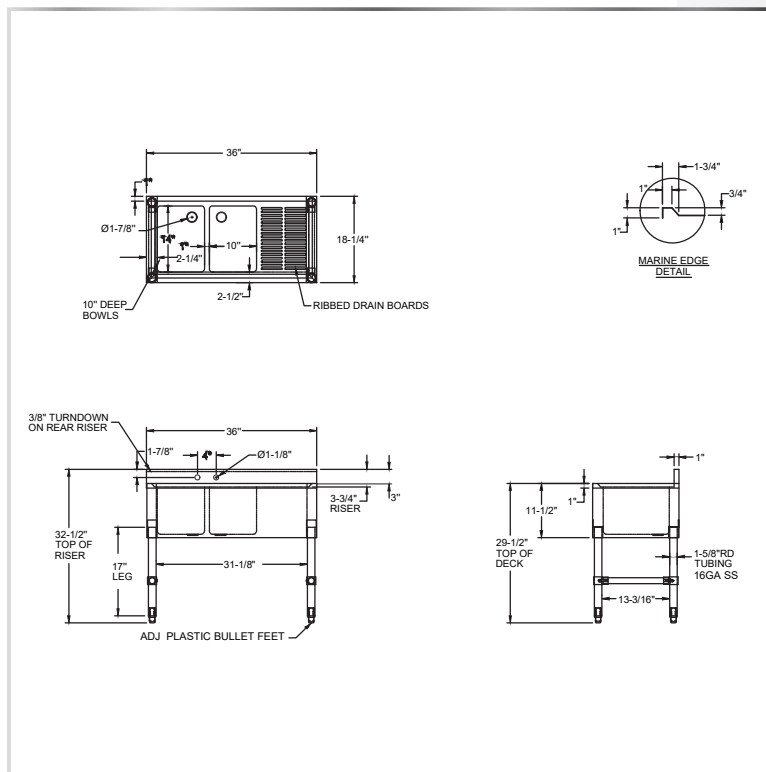
SLIM UNDERBAR 1-DRAINBOARD SINK (RIGHT)

UNDERBAR - SINKS



MATERIALS

- 18 Gauge 300 Series Stainless Steel; Fabricated
- Stainless Steel Apron on Front and Sides
 - Stainless Steel Legs and Cross-Bracing
- Plastic Adjustable Bullet Feet



FEATURES

- 4" On-Center Wall-Mounted Faucet Holes
- 10" Deep Sink Bowls
- Includes Drain Baskets and Removable Overflow Stand Pipes
- Marine Edges

MODEL NUMBER	BOWL SIZE L X W X H	LENGTH	WIDTH	NUMBER OF BOWLS
UW-2-101410-36R	10" x 14" x 10"	36"	18-1/4"	2
UW-2-101410-48R	10" x 14" x 10"	48"	18-1/4"	2
UW-3-101410-48R	10" x 14" x 10"	48"	18-1/4"	3
UW-3-101410-60R	10" x 14" x 10"	60"	18-1/4"	3

SLIM UNDERBAR 2-DRAINBOARD SINK

UNDERBAR - SINKS

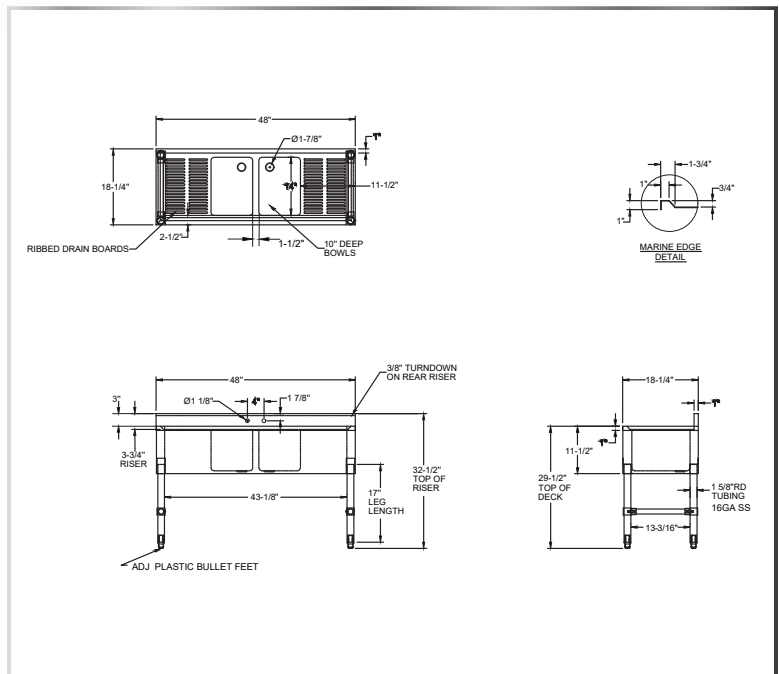


MATERIALS

- 18 Gauge 300 Series Stainless Steel; Fabricated
- Stainless Steel Apron on Front and Sides
- Stainless Steel Legs and Cross-Bracing
- Plastic Adjustable Bullet Feet

FEATURES

- 4" On-Center Wall-Mounted Faucet Holes
 - 10" Deep Sink Bowls
 - Includes Drain Baskets and Removable Overflow Stand Pipes
 - Marine Edges



MODEL NUMBER	BOWL SIZE L X W X H	LENGTH	WIDTH	NUMBER OF BOWLS
UW-2-101410-48LR	10" x 14" x 10"	48"	18-1/4"	2
UW-3-101410-60LR	10" x 14" x 10"	60"	18-1/4"	3
UW-3-101410-72LR	10" x 14" x 10"	72"	18-1/4"	3
UW-3-101410-84LR	10" x 14" x 10"	84"	18-1/4"	3
UW-3-101410-96LR	10" x 14" x 10"	96"	18-1/4"	3
UW-4-101410-72LR	10" x 14" x 10"	72"	18-1/4"	4
UW-4-101410-84LR	10" x 14" x 10"	84"	18-1/4"	4
UW-4-101410-96LR	10" x 14" x 10"	96"	18-1/4"	4

(609) 642 - 8389 | SALES@NBREQUIPMENT.COM | WWW.NBREQUIPMENT.COM
NBR EQUIPMENT, 10 ABEEL ROAD, CRANBURY, NJ 08512

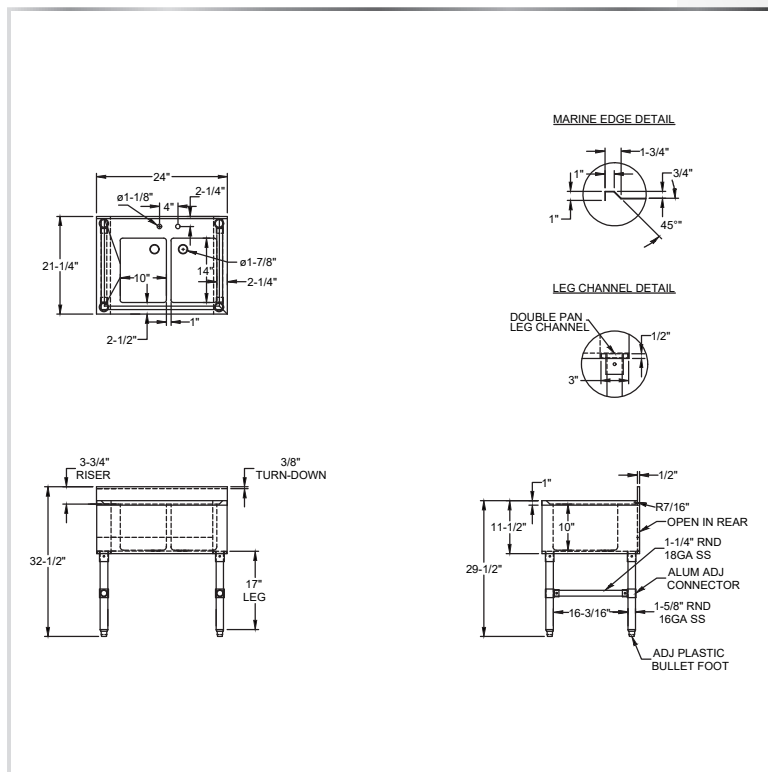
DECK MOUNT UNDEBAR SINK

UNDERBAR - SINKS



MATERIALS

- 18 Gauge 300 Series Stainless Steel; Fabricated
- Stainless Steel Apron on Front and Sides
 - Stainless Steel Legs
- Plastic Adjustable Bullet Feet



FEATURES

- 4" On-Center Deck-Mounted Faucet Holes
- 10" Deep Sink Bowls
- Includes Drain Baskets and Removable Overflow Stand Pipes
- Marine Edges

MODEL NUMBER	BOWL SIZE L X W X H	LENGTH	WIDTH	NUMBER OF BOWLS
UD-2-101410-24	10" x 14" x 10"	24"	21-1/4"	2
UD-3-101410-36	10" x 14" x 10"	36"	21-1/4"	3
UD-4-101410-48	10" x 14" x 10"	48"	21-1/4"	4

DECK MOUNT UNDERBAR 1-DRAINBOARD SINK (LEFT)

UNDERBAR - SINKS

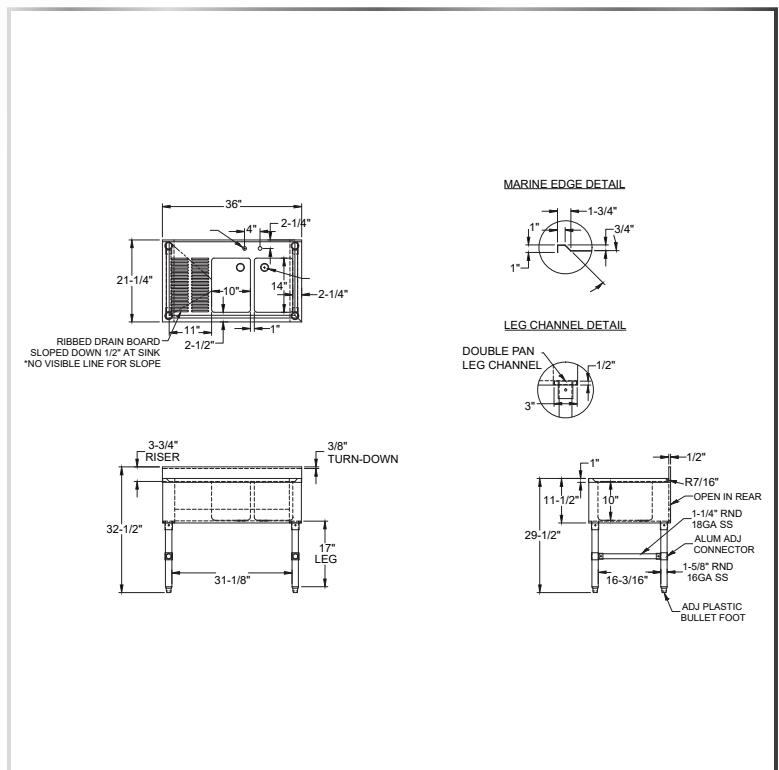


MATERIALS

- 18 Gauge 300 Series Stainless Steel; Fabricated
- Stainless Steel Apron on Front and Sides
- Stainless Steel Legs and Cross-Bracing
- Plastic Adjustable Bullet Feet

FEATURES

- 4" On-Center Deck-Mounted Faucet Holes
 - 10" Deep Sink Bowls
 - Includes Drain Baskets and Removable Overflow Stand Pipes
 - Marine Edges



MODEL NUMBER	BOWL SIZE L X W X H	LENGTH	WIDTH	NUMBER OF BOWLS
UD-2-101410-36L	10" x 14" x 10"	36"	21-1/4"	2
UD-2-101410-48L	10" x 14" x 10"	48"	21-1/4"	2
UD-3-101410-48L	10" x 14" x 10"	48"	21-1/4"	3
UD-3-101410-60L	10" x 14" x 10"	60"	21-1/4"	3

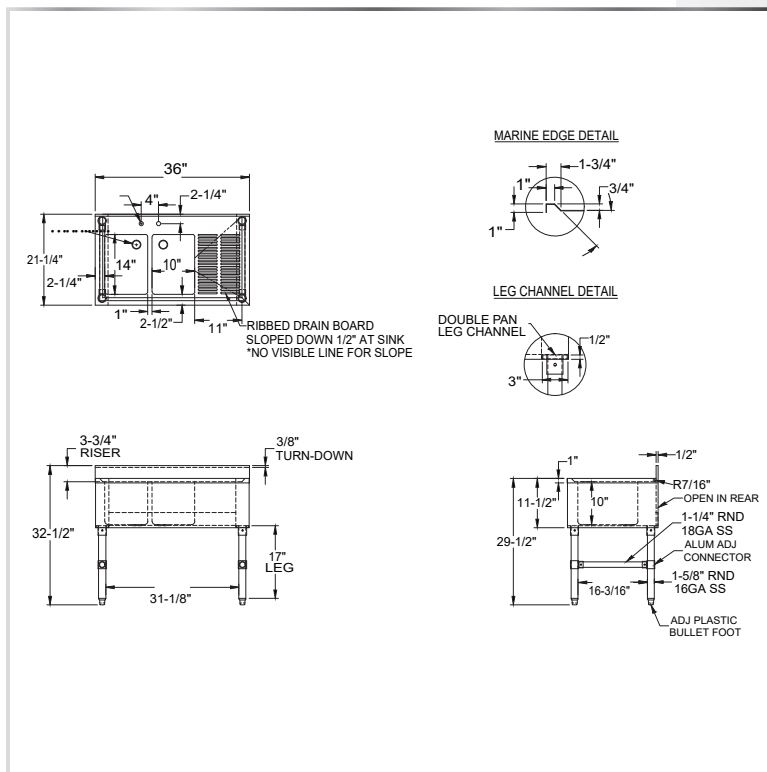
DECK MOUNT UNDERBAR 1-DRAINBOARD SINK (RIGHT)



UNDERBAR - SINKS

MATERIALS

- 18 Gauge 300 Series Stainless Steel; Fabricated
- Stainless Steel Apron on Front and Sides
 - Stainless Steel Legs and Cross-Bracing
 - Plastic Adjustable Bullet Feet



FEATURES

- 4" On-Center Deck-Mounted Faucet Holes
- 10" Deep Sink Bowls
- Includes Drain Baskets and Removable Overflow Stand Pipes
- Marine Edges

MODEL NUMBER	BOWL SIZE L X W X H	LENGTH	WIDTH	NUMBER OF BOWLS
UD-2-101410-36R	10" x 14" x 10"	36"	21-1/4"	2
UD-2-101410-48R	10" x 14" x 10"	48"	21-1/4"	2
UD-3-101410-48R	10" x 14" x 10"	48"	21-1/4"	3
UD-3-101410-60R	10" x 14" x 10"	60"	21-1/4"	3

(609) 642 - 8389 | SALES@NBREQUIPMENT.COM | WWW.NBREQUIPMENT.COM

NBR EQUIPMENT, 10 ABEEL ROAD, CRANBURY, NJ 08512

DECK MOUNT UNDERBAR 2-DRAINBOARD SINK

UNDERBAR - SINKS

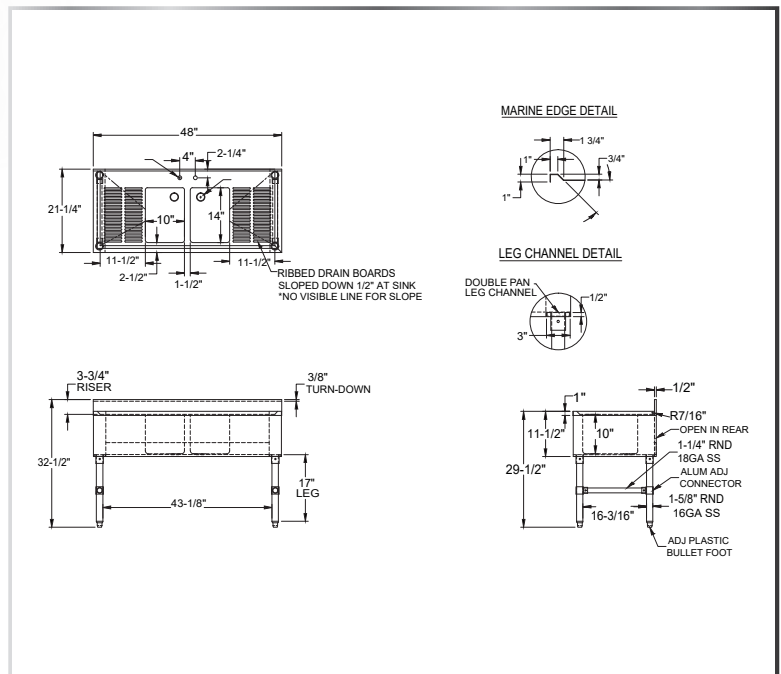


MATERIALS

- 18 Gauge 300 Series Stainless Steel; Fabricated
- Stainless Steel Apron on Front and Sides
- Stainless Steel Legs and Cross-Bracing
- Plastic Adjustable Bullet Feet

FEATURES

- 4" On-Center Deck-Mounted Faucet Holes
 - 10" Deep Sink Bowls
 - Includes Drain Baskets and Removable Overflow Stand Pipes
 - Marine Edges



MODEL NUMBER	BOWL SIZE L X W X H	LENGTH	WIDTH	NUMBER OF BOWLS
UD-2-101410-48LR	10" x 14" x 10"	48"	21-1/4"	2
UD-3-101410-60LR	10" x 14" x 10"	60"	21-1/4"	3
UD-3-101410-72LR	10" x 14" x 10"	72"	21-1/4"	3
UD-3-101410-84LR	10" x 14" x 10"	84"	21-1/4"	3
UD-3-101410-96LR	10" x 14" x 10"	96"	21-1/4"	3
UD-4-101410-72LR	10" x 14" x 10"	72"	21-1/4"	4
UD-4-101410-84LR	10" x 14" x 10"	84"	21-1/4"	4
UD-4-101410-96LR	10" x 14" x 10"	96"	21-1/4"	4

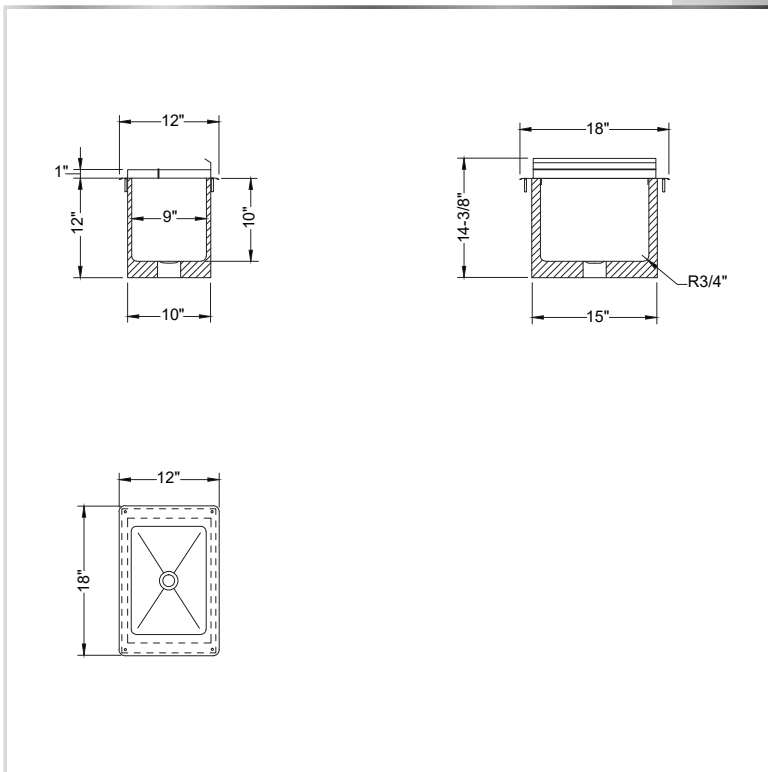
DROP-IN ICE BIN

UNDERBAR - ICE BINS



MATERIALS

- 14 Gauge 304 Series Stainless Steel Top
- 18 Gauge 304 Series Stainless Steel Body and Cover



FEATURES

- 10" Deep Insulated Bin
- Removable Sliding Lid
- Includes Drain

MODEL NUMBER	LENGTH	WIDTH	RECOMMENDED CUTOUT
DIB-1218	12"	18"	11-1/4" x 17-1/4"
DIB-2218	22"	18"	21-1/4" x 17-1/4"
DIB-2818	28"	18"	27-1/4" x 17-1/4"
DIB-3418	34"	18"	33-1/4" x 17-1/4"

DROP-IN ICE & WATER UNIT

UNDERBAR - ICE BINS

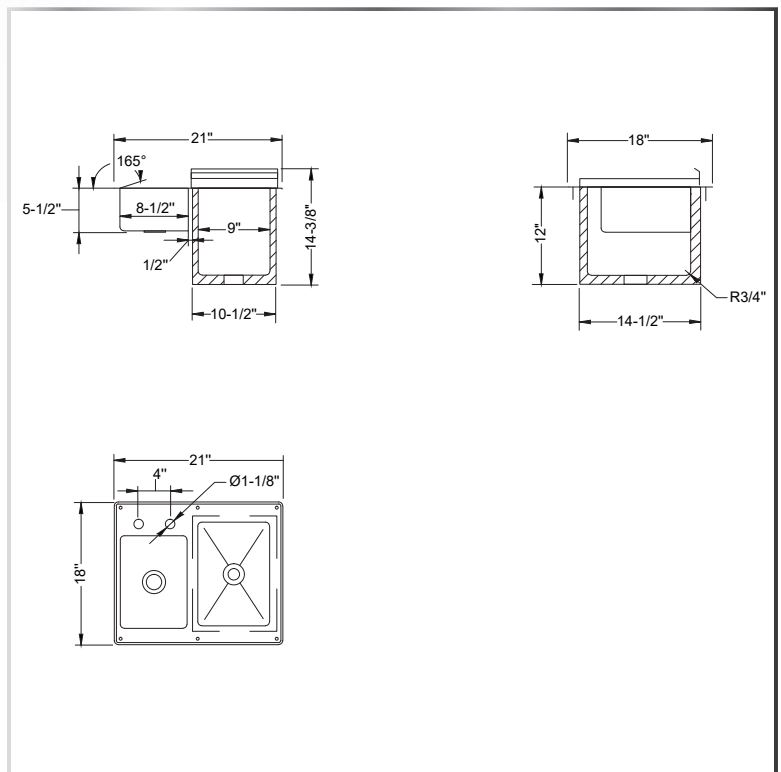


MATERIALS

- 14 Gauge 300 Series Stainless Steel Deck
- 18 Gauge 304 Series Stainless Steel Body and Cover

FEATURES

- Left Water Station
- Removable Water Sink Grate
- 10" Deep Insulated Ice Bin
 - Removable Sliding Lid
 - Includes Drains



MODEL NUMBER	LENGTH	WIDTH	RECOMMENDED CUTOUT
DIB-2-2118	21"	18"	20-1/4" x 17-1/4"

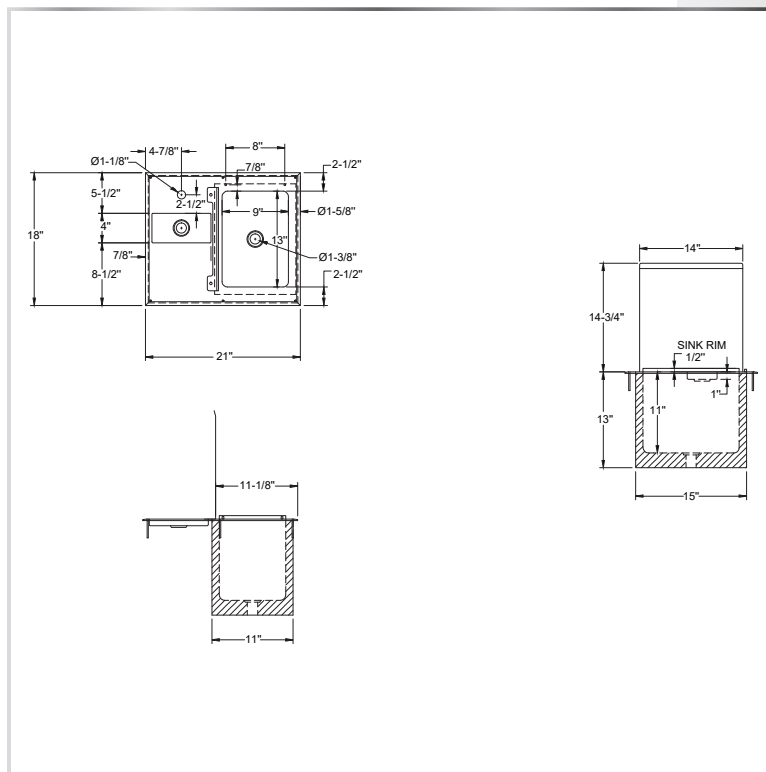
DROP-IN ICE & WATER UNIT

UNDERBAR - ICE BINS



MATERIALS

- 14 Gauge 304 Series Stainless Steel Deck
- 18 Gauge 304 Series Stainless Steel Body and Cover



FEATURES

- Left Water Station
- Left Water Filler Stand With Perforated Insert
- 11" Deep Insulated Ice Bin
- Removable Sliding Lid
- Includes Drains

MODEL NUMBER	LENGTH	WIDTH	RECOMMENDED CUTOUT
DIB-2118-WS	21"	18"	20-1/4" x 17-1/4"

DROP-IN ICE & WATER UNIT

UNDERBAR - ICE BINS

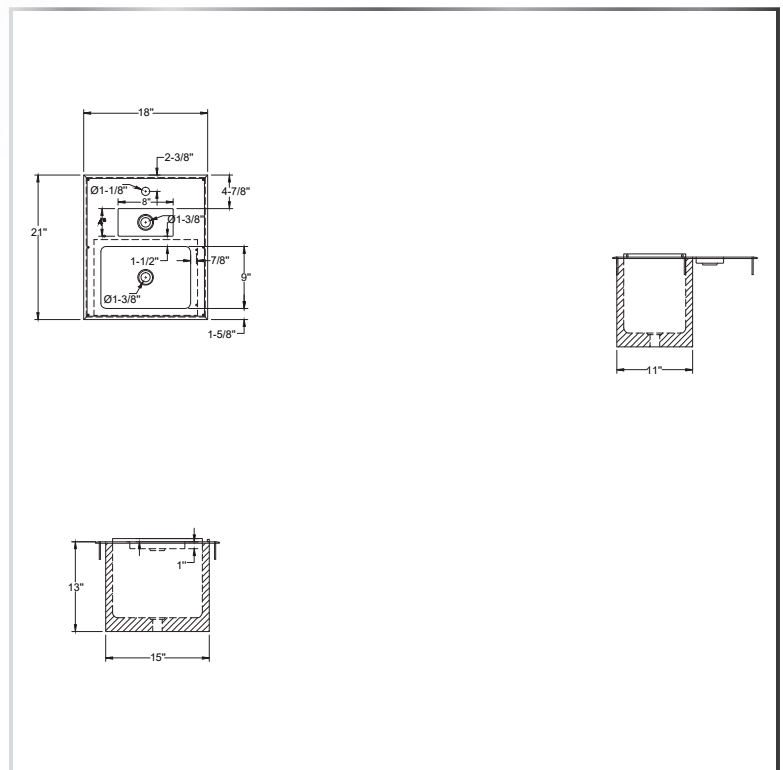


MATERIALS

- 14 Gauge Stainless Steel Deck
- 18 Gauge 300 Series Stainless Steel Body

FEATURES

- Rear Water Station
- Left Water Filler Stand With Perforated Insert
- 11" Deep Insulated Ice Bin
 - Removable Sliding Lid
 - Includes Drains



MODEL NUMBER	LENGTH	WIDTH	RECOMMENDED CUTOUT
DIB-1821-WS	18"	21"	17-1/4" x 20-1/4"

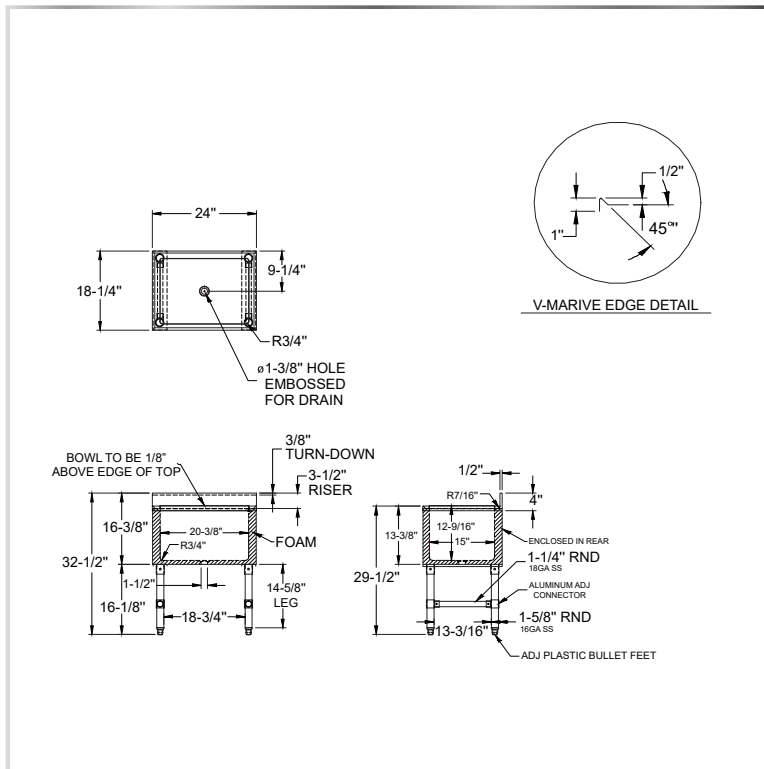
ICE BIN & COCKTAIL UNIT

UNDERBAR - ICE BINS



MATERIALS

- 18 Gauge 300 Series Stainless Steel; Fabricated
 - Stainless Steel Legs and Cross-Bracing
 - Plastic Adjustable Bullet Feet



FEATURES

- 12-9/16" Deep Insulated Ice Bin
- Includes 2 Piece Sliding Lid and Drain

MODEL NUMBER	LENGTH	WIDTH
IB-2418	24"	18-1/4"
IB-2421	24"	21-1/4"
IB-3018	30"	18-1/4"
IB-3021	30"	21-1/4"
IB-3618	36"	18-1/4"
IB-3621	36"	21-1/4"
IB-4818	48"	18-1/4"
IB-4821	48"	21-1/4"

ICE BIN WITH COLD PLATE

UNDERBAR - ICE BINS

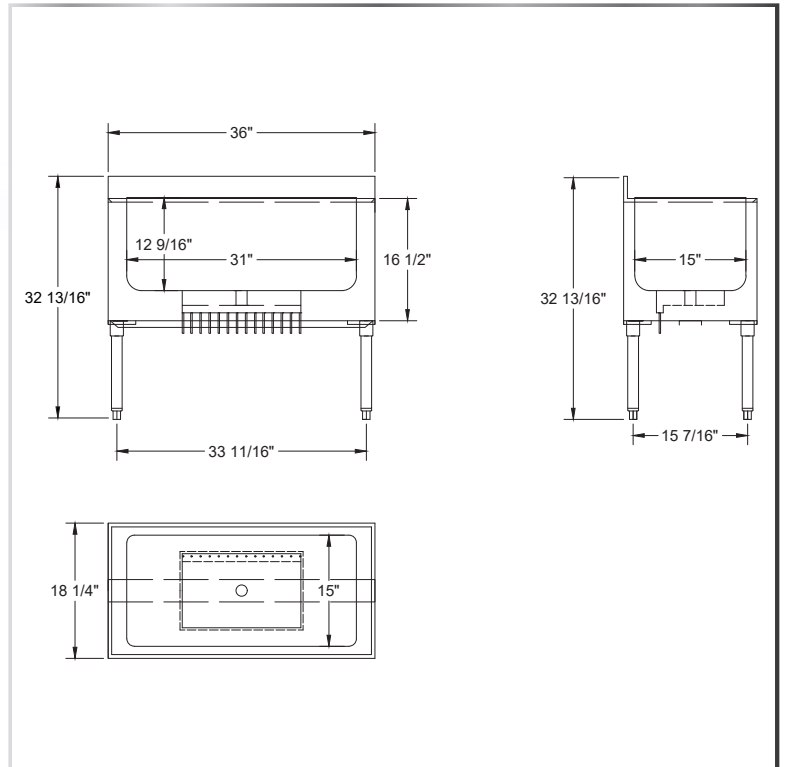


MATERIALS

- 18 Gauge 304 Series Stainless Steel; Fabricated
- 7-Circuit Aluminum Cold Plate
- Stainless Steel Legs and Bracing

FEATURES

- 100 lbs. Capacity
- 12-⁹/₁₆" Deep Insulated Ice Bin



MODEL NUMBER	LENGTH	WIDTH
IBC-2418C7	24"	18- ¹ / ₄ "
IBC-2421C7	24"	21- ¹ / ₄ "
IBC-3018C7	30"	18- ¹ / ₄ "
IBC-3021C7	30"	21- ¹ / ₄ "
IBC-3618C7	36"	18- ¹ / ₄ "
IBC-3621C7	36"	21- ¹ / ₄ "
IBC-4818C7	48"	18- ¹ / ₄ "
IBC-4821C7	48"	21- ¹ / ₄ "

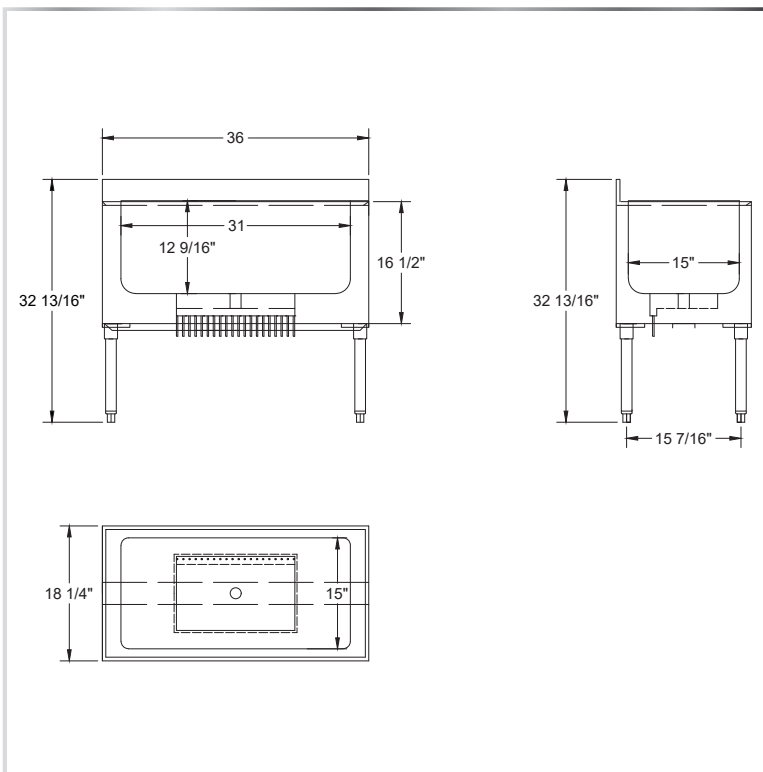
ICE BIN WITH COLD PLATE

UNDERBAR - ICE BINS



MATERIALS

- 18 Gauge 304 Series Stainless Steel; Fabricated
- 10-Circuit Aluminum Cold Plate
- Stainless Steel Legs and Bracing



FEATURES

- 80-170 lbs. Capacity
- 12-⁹/₁₆" Deep Insulated Ice Bin

MODEL NUMBER	LENGTH	WIDTH
IBC-3018C10	30"	18- ¹ / ₄ "
IBC-3021C10	30"	21- ¹ / ₄ "
IBC-3618C10	36"	18- ¹ / ₄ "
IBC-3621C10	36"	21- ¹ / ₄ "
IBC-4818C10	48"	18- ¹ / ₄ "
IBC-4821C10	48"	21- ¹ / ₄ "

(609) 642 - 8389 | SALES@NBREQUIPMENT.COM | WWW.NBREQUIPMENT.COM

NBR EQUIPMENT, 10 ABEEL ROAD, CRANBURY, NJ 08512

MOBILE ICE BIN

UNDERBAR - MOBILE ICE BIN

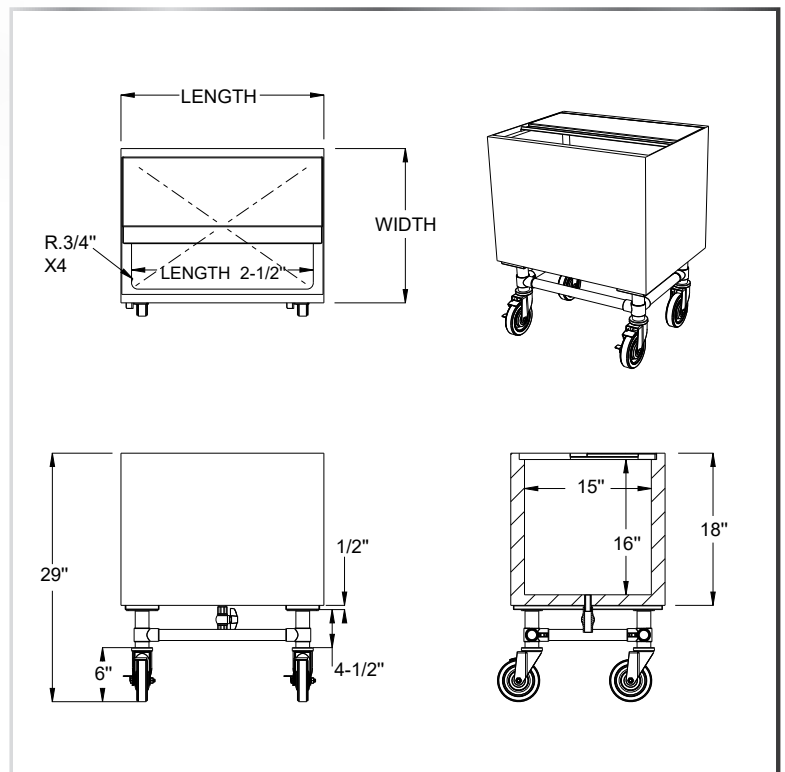


MATERIALS

- 18 Gauge 304 Series Stainless Steel; Fabricated
- Stainless Steel Legs and Cross-Bracing
- Four 5" Casters Included (2 With Brakes, 2 Without)

FEATURES

- Portable
- Insulated
- 16" Deep Ice Bin
- Includes 1" Center Drain With Shut-Off Valve



MODEL NUMBER	LENGTH	WIDTH
IBM-2418	24"	18"
IBM-3018	30"	18"
IBM-3618	36"	18"

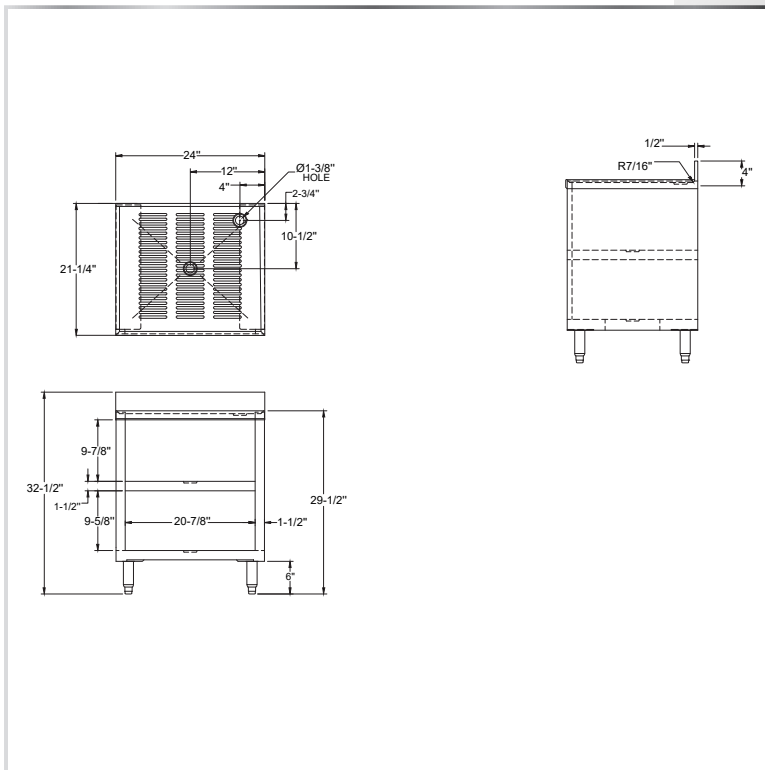
GLASS RACK CABINET

UNDERBAR - GLASS CABINETS



MATERIALS

- 18 Gauge 304 Series Stainless Steel; Fabricated
- Stainless Steel Adjustable Bullet Feet



FEATURES

- Ribbed Drainboard

MODEL NUMBER	LENGTH	WIDTH	NUMBER OF RACKS
GRC24-2	24"	21-1/4"	2

GLASS RACK CABINET

UNDERBAR - GLASS CABINETS

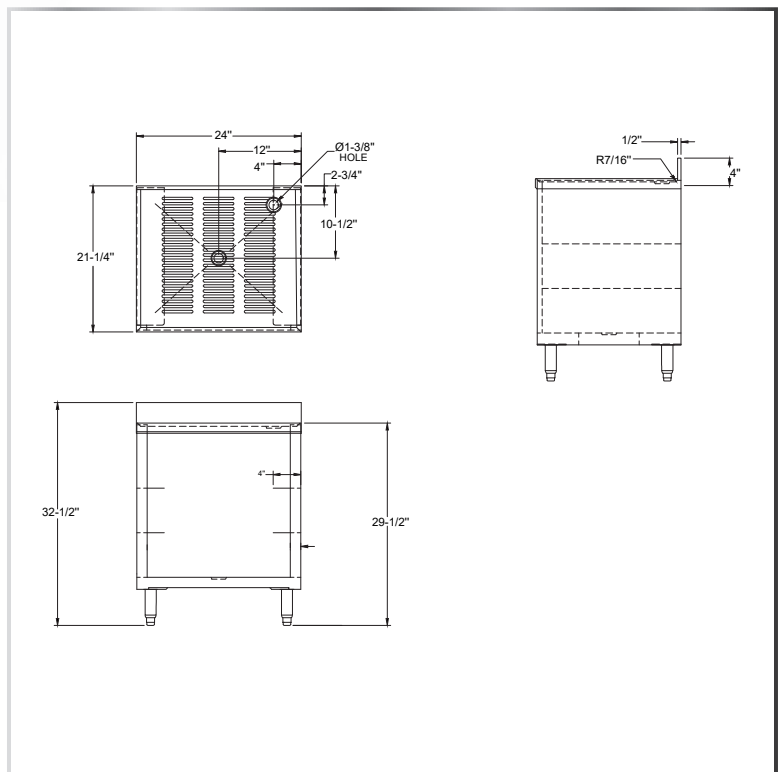


MATERIALS

- 18 Gauge 304 Series Stainless Steel; Fabricated
- Stainless Steel Adjustable Bullet Feet

FEATURES

- Ribbed Drainboard



MODEL NUMBER	LENGTH	WIDTH	NUMBER OF RACKS
GRC24-3	24"	21-1/4"	3

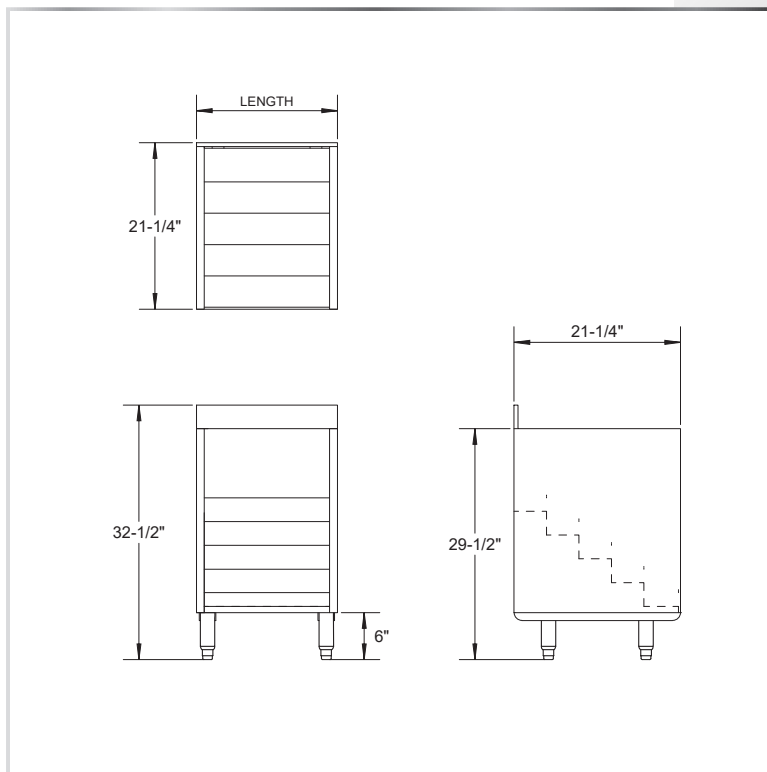
LIQUOR DISPLAY CABINET

UNDERBAR - LIQUOR DISPLAY



MATERIALS

- 18 Gauge 304 Series Stainless Steel; Fabricated
- Stainless Steel Legs and Adjustable Bullet Feet



FEATURES

- Five Steps With Guard Rails on Both Sides

MODEL NUMBER	LENGTH	WIDTH	BOTTLE CAPACITY
LDC-1821	18"	21-1/4"	20
LDC-2421	24"	21-1/4"	30
LDC-3021	30"	21-1/4"	35

UNDERBAR LIQUOR DISPLAY

UNDERBAR - LIQUOR DISPLAY

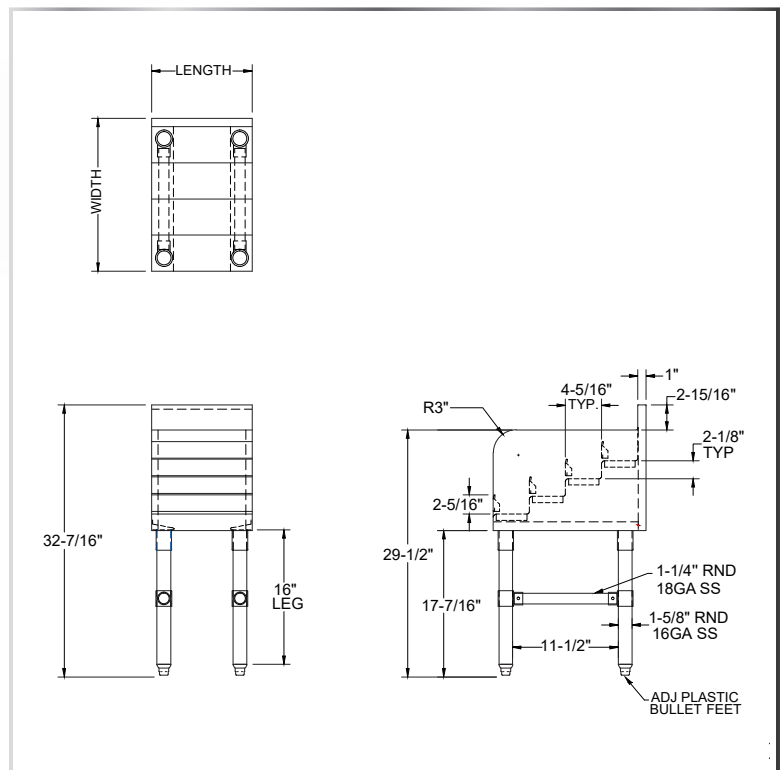


MATERIALS

- 18 Gauge 304 Series Stainless Steel; Fabricated
- Stainless Steel Legs and Cross-Bracing
- Plastic Adjustable Bullet Feet

FEATURES

- Four Steps With Guard Rail on Each Side
- Side Cross-Bracing For Reinforced Support



MODEL NUMBER	LENGTH	WIDTH	BOTTLE CAPACITY
LD-1218	12"	18-1/4"	13
LD-1221	12"	21-1/4"	13
LD-1818	18"	18-1/4"	20
LD-1821	18"	21-1/4"	20
LD-2418	24"	18-1/4"	27
LD-2421	24"	21-1/4"	27
LD-3618	36"	18-1/4"	40
LD-3621	36"	21-1/4"	40

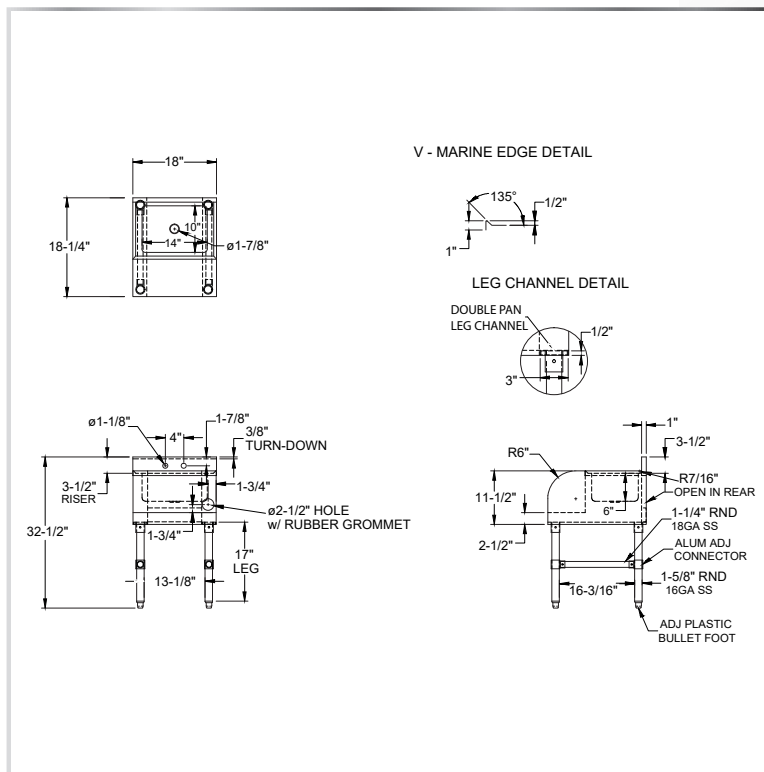
BLENDER STATION WITH DUMP SINK

UNDERBAR - BLENDER STATIONS



MATERIALS

- 18 Gauge 300 Series Stainless Steel; Fabricated
- Stainless Steel Legs and Cross-Bracing
- Plastic Adjustable Bullet Feet



FEATURES

- 4" On-Center Wall-Mounted Faucet Holes
- 1-1/2" Drain Hole With Rubber Grommet For Power Cord

MODEL NUMBER	BOWL SIZE L X W X H	LENGTH	WIDTH
UW-1-1410-1818-H	14" x 10" x 6"	18"	18-1/4"
UW-1-1410-1821-H	14" x 10" x 6"	18"	21-1/4"

BLENDER STATION

UNDERBAR - BLENDER STATIONS

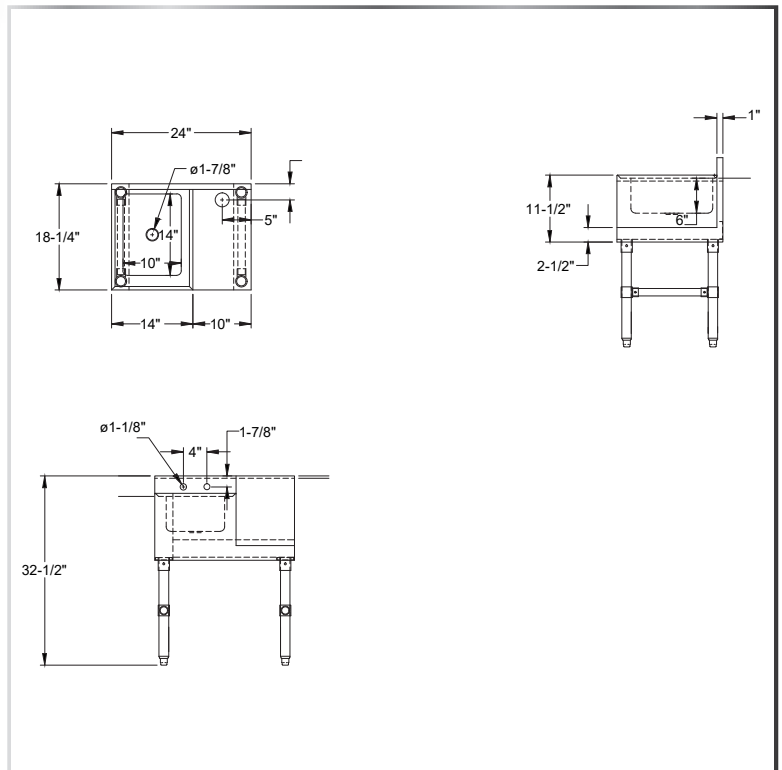


MATERIALS

- 18 Gauge 300 Series Stainless Steel; Fabricated
- Stainless Steel Legs and Cross-Bracing
- Plastic Adjustable Bullet Feet

FEATURES

- 4" On-Center Wall-Mounted Faucet Holes
- 2-1/2" Drain Hole With Rubber Grommet For Power Cord



MODEL NUMBER	BOWL SIZE L X W X H	LENGTH	WIDTH
UW-1-1014-2418-RH	10" x 14" x 6"	24"	18-1/4"

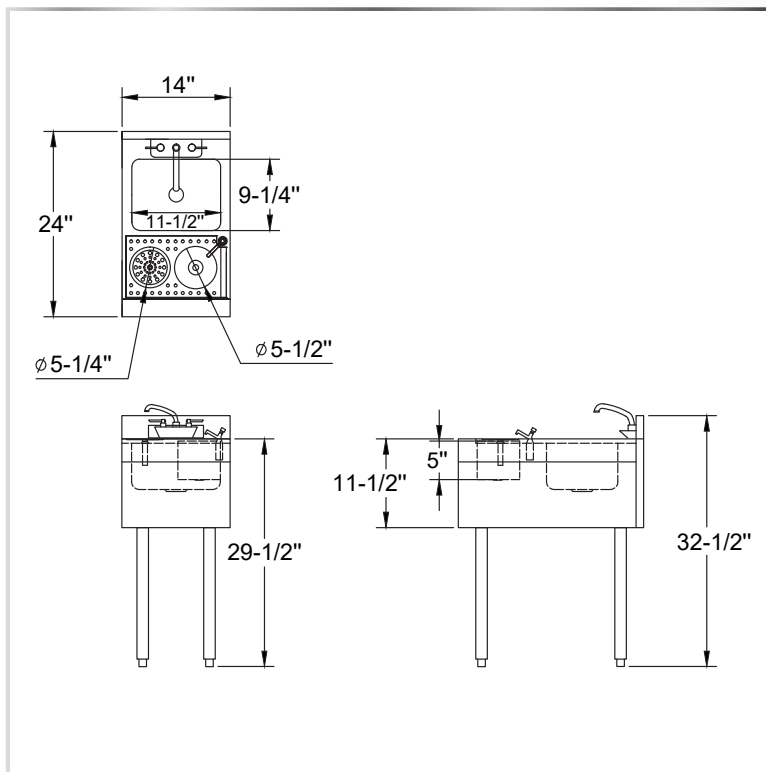
UNDERBAR MIXOLOGY UNIT

UNDERBAR - MIXOLOGY STATIONS



MATERIALS

- 18 Gauge 304 Series Stainless Steel; Fabricated
- Stainless Steel Legs and Bullet Feet



FEATURES

- 11-1/2" x 9-1/4" x 6" Sink Bowl
- 4" On-Center Wall-Mounted Faucet Holes (Faucet Included)
- Push-Down Rinse Faucet Included
- Draining Dipper Well (Faucet NOT Included)

MODEL NUMBER	LENGTH	WIDTH
UMRDS-1424	14"	24"

UNDERBAR MIXOLOGY UNIT

UNDERBAR - MIXOLOGY STATIONS

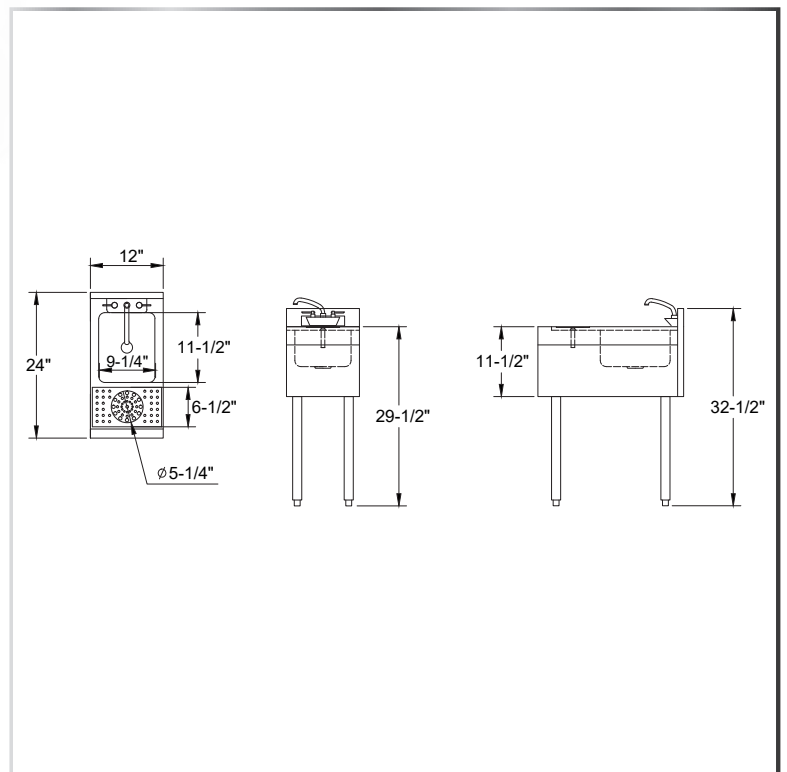


MATERIALS

- 18 Gauge 304 Series Stainless Steel; Fabricated
- Stainless Steel Legs and Bullet Feet

FEATURES

- 11-1/2" x 9-1/4" x 6" Sink Bowl
- 4" On-Center Wall-Mounted Faucet Holes (Faucet Included)
- Push-Down Rinse Faucet Included



MODEL NUMBER

UMRS-1224

LENGTH

12"

WIDTH

24"

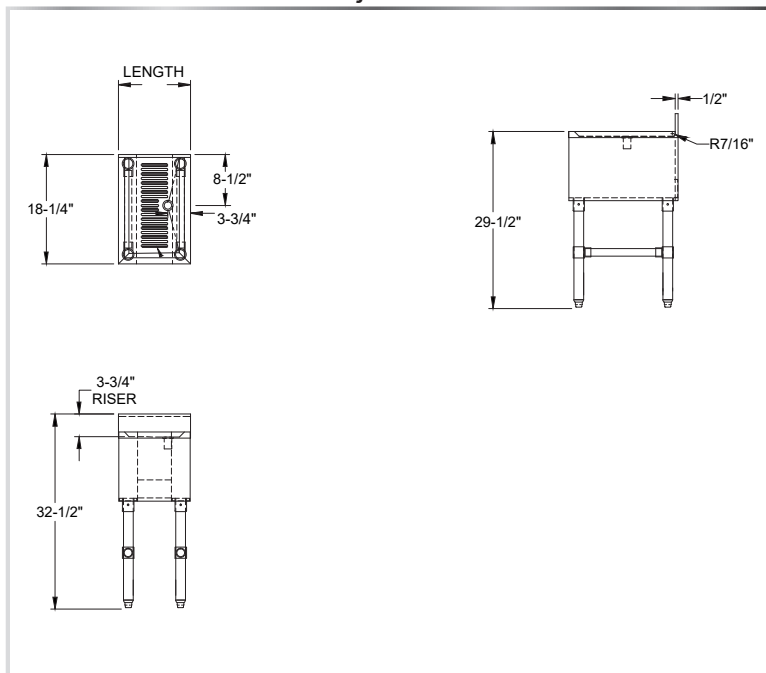
SLIM FREE-STANDING DRAINBOARD

UNDERBAR - DRAINBOARD



MATERIALS

- 18 Gauge 304 Series Stainless Steel; Fabricated
 - Stainless Steel Legs and Cross-Bracing
 - Plastic Adjustable Bullet Feet



FEATURES

- Stamped Ribbed Drainboard Top
- Includes Drain

MODEL NUMBER	LENGTH	WIDTH
UDB-1218	12"	18-1/4"
UDB-1221	12"	21-1/4"
UDB-1818	18"	18-1/4"
UDB-1821	18"	21-1/4"
UDB-2418	24"	18-1/4"
UDB-2421	24"	21-1/4"
UDB-3018	30"	18-1/4"
UDB-3021	30"	21-1/4"
UDB-3618	36"	18-1/4"
UDB-3621	36"	21-1/4"
UDB-4818	48"	18-1/4"
UDB-4821	48"	21-1/4"

SPEED RAILS (SINGLE & DOUBLE)

UNDERBAR - SPEED RAILS

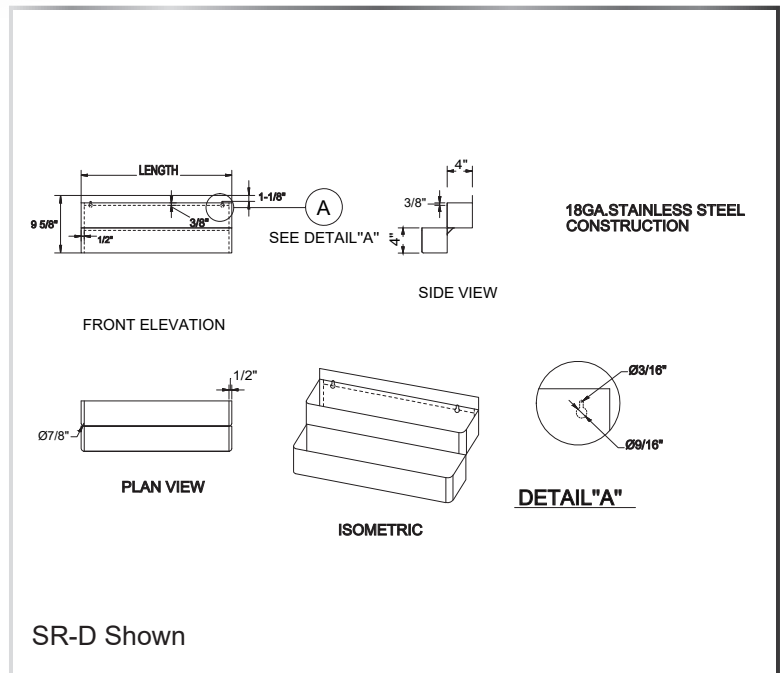


MATERIALS

- 18 Gauge 300 Series Stainless Steel; Fabricated

FEATURES

- Keyhole Mount



MODEL NUMBER	LENGTH
SR-24S	24"
SR-30S	30"
SR-36S	36"
SR-48S	48"
SR-24D	24"
SR-30D	30"
SR-36D	36"
SR-48D	48"

(S) = SINGLE (D) = DOUBLE

(609) 642 - 8389 | SALES@NBREQUIPMENT.COM | WWW.NBREQUIPMENT.COM

NBR EQUIPMENT, 10 ABEEL ROAD, CRANBURY, NJ 08512

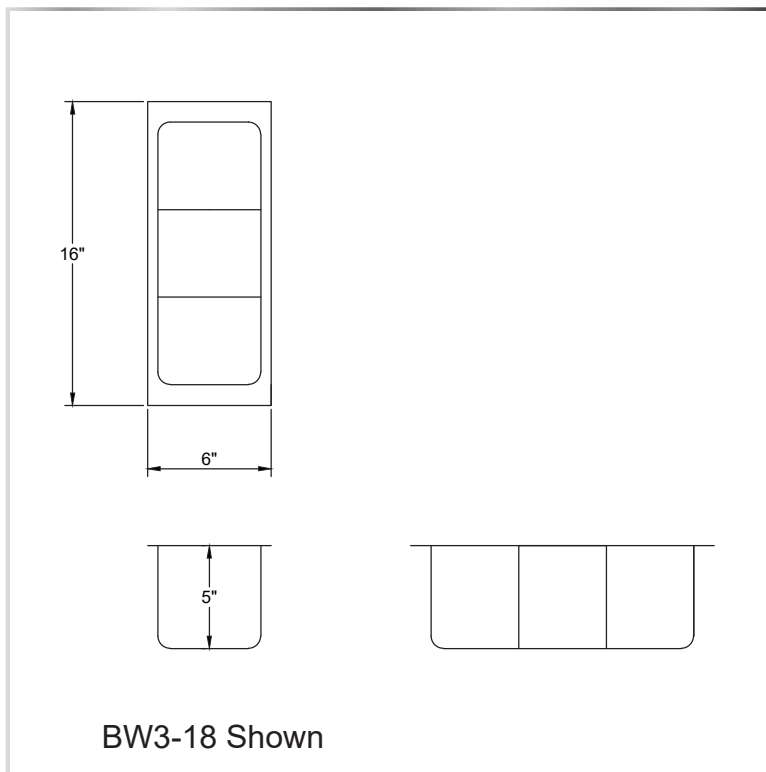
BOTTLE WELLS

UNDERBAR - BOTTLE WELLS



FEATURES

- Fits 18" Or 21" Ice Bins
- BW3 Fits 3 Bottles
- BW4 Fits 4 Bottles



MODEL NUMBER	LENGTH	WIDTH
BW3-18	6"	16"
BW4-21	6"	19"

TERMS & CONDITIONS

Terms and Conditions

- Any prices listed within are current NBR-approved List Prices.
- All prices, product specifications, and discounts are subject to change without notice. Prices listed herein do not include Federal Excise, Municipal or other use Tax.
- Orders shipping to an active construction site, limited access area, or residential address are subject to additional charges by the carrier. These charges may be applied after shipment/delivery.
- NBR is not responsible for any damage while in hands of the freight carrier. Inspect immediately for obvious and hidden damage. We suggest you refuse orders mildly/severely damaged. If you accept a damaged delivery, please make note of the damage and extent when signing the Bill of Lading. (For any damage and loss while in transit, promptly file claim against carrier if shipped via Customer Account)
- NBR is not responsible for any delays in delivery that are beyond our control such as bad weather, shortages, delays in transportation, or any other contingencies of similar manner.
- All initial orders from new customers are to be paid in full before the NBR warehouse releases it for shipment. NO EXCEPTIONS.
- Quotes from NBR are good for 30 days, unless otherwise approved by an NBR staff member.

Payment Terms

- For customers with established NBR Equipment credit standing, payment terms are Net 30 days from the date of invoice. NBR will accept all major credit cards, cash, money orders or checks at the time of order, otherwise you can pay through the invoice emailed to you or send an ACH payment within the 30 days. COD is only available for orders being picked up at NBR's warehouse directly by the customer.
- Any dealer choosing to buy NBR equipment must complete and return a Dealer Authorization Form prior to completing any purchase, please contact csr@nbrequipment.com for the necessary paperwork. Initial orders require full pre-payment before it is released for shipping.
- If paying by credit card, please be aware there will be a 3.5% processing fee applied to your invoice.
- Once an account has had two returned checks for any reason, payment by check will not be accepted. This includes returned electronic payments. A hold will be placed on the account affected until the returned check has been redeemed.
- Checks deposited by NBR Equipment and then returned by the bank for insufficient funds or any other reason will be charged a fee of \$50.00, including any bank fees as applicable, that will be placed on the customer's account, no matter the reason.

Returned Check Payment Methods

- Cash - pay in person at the NBR Office located in Cranbury, NJ. Obtain a cash register receipt for your records.
- DO NOT MAIL CASH.
- Certified Funds - make cashier's check, money order, or other certified funds payable to NBR Equipment. Include Account name or #, invoice #, and phone number on the face of the check. Deliver in person or mail certified funds to NBR Equipment, 10 Abeel Road, Cranbury, NJ 08512.

1-Year Limited Warranty

- NBR warranties this product to be free from defects in material or workmanship for a period of one (1) year following the date of purchase.
- Warranty applies only under conditions of normal use and does not apply to defects which result from negligence, misuse, freight damage, improper installation or accidents.
- Warranty does not include any coverage for loss of business, damages, freight or other miscellaneous expenses incurred due to the defect or in servicing the unit.
- This warranty is made in lieu of all other warranties express or implied and no additional warranties express or implied including one of merchantability or fitness for a particular purpose are given.
- All prices, pictures and descriptions in this and all NBR publications are subject to change without notice. Please contact us within 30 days regarding price discrepancies.

General Shipping Information

- We reserve the right to ship via carriers of our choice if freight isn't specifically marked or defined on the purchase order.
- We will follow customers routing if possible. Unless specified otherwise, all orders will be shipped Best Way/PPA, a nominal charge will be included.
- Any order valued less than \$100 will carry a \$35 shipping and handling fee.
- All merchandise is shipped in optimal condition and packaged in compliance with I.C.C. regulations. NBR Equipment is not responsible for any freight damage once it leaves our location. For damage or loss in transit, a claim must be filed by the consignee against the carrier.
- Shipper is not responsible for any unauthorized accessorial charges. All charges will be billed back to customer.
- Delivery Appointment Fee: \$50
- Liftgate Service Fee: \$75

Out of Stock Policy

- Previous Out-of-Stock and Back-Order policies are no longer valid.
- If an item is out of stock in your order, NBR will either ship the order as-complete-as-possible, or we will reach out to you with substitution options.
- If your order is shipped incomplete, you must place a new purchase order for the missing item(s). All orders shipped and invoiced are considered closed.
- If substituting out-of-stock item(s), you must send a revised purchase order reflecting the change(s) to orders@nbrequipment.com.
- You can always cancel the item on the order and send a revised purchase order to get everything else shipped ASAP or cancel the order altogether and get a full refund.

Return Authorization REQUIRED

ALL returns MUST be approved by NBR. NO returns will be accepted, and NO credit will be issued without a completed and approved Return Authorization form from NBR in advance. All Return Authorization requests must be made by email within 30 days of delivery. All approved return merchandise must be returned to NBR's warehouse within 15 days of Return Authorization Form date. Upon review of the form, NBR will determine if the item(s) are eligible for return. All returns due to purchase error on the part of the customer will be additionally charged a minimum 20% restocking fee to be deducted from the refund amount. All restocking fees and return shipping charges are to be assessed and deducted from the refund amount before a credit is issued.

Authorized returns must be received in unused condition (suitable for resale) and item(s) must be in their original packaging. Upon receipt of authorized returned item(s) NBR will inspect the item(s) to determine if unused, new, and in suitable condition for resale. Refunds will be credited to you within 45 days after we receive the returned item(s). IF NBR HAS TO REPACKAGE THE ITEM FOR SALE, THE COST OF PACKAGING WILL BE DEDUCTED FROM THE REFUND. The customer is responsible for all return shipping costs. The customer can arrange for return shipping to NBR but will not be reimbursed for return shipping costs. If NBR arranges for pickup of the item(s) to be returned, a return shipping charge will be deducted from any refund amount before credit is issued.

Special order, cut-to-order, and customized items typically cannot be returned. For special order, cut-to-order, and customized items to be delivered, you may contact a customer service team member at NBR to discuss alternatives or possible arrangements to return to manufacturer. Special order, cut-to-order, and customized items that may be returnable must be in unused condition (suitable for resale) and item(s) must be in original packaging. Note that manufacturer return, and restocking policies and fees may be in addition to and may differ from those of NBR and the customer is entirely responsible for meeting the requirements of any return to the manufacturer.

To request authorization to return item(s), contact a customer service team member at (609) 642-8389. The Return Authorization Form can be sent to you by email or fax.

NOTE: Any items returned to NBR without a completed and approved RMA Form may be refused and credit will not be issued.

MODEL NUMBER GLOSSARY

1BSG-1818	Page 71	3BSG-1221	Page 73	4SG-162014LR18	Page 51	CMPR-72	Page 134
1BSG-1821	Page 71	3BSG-1818	Page 73	4SS-182414LR18	Page 50	CMPR-96	Page 134
1BSG-2424	Page 71	3BSG-1821	Page 73	ATS6-3624	Page 98	CRG-2424	Page 122
1SG-162012	Page 30	3BSG-2424	Page 73	ATS6-3624R5	Page 98	CRG-2430	Page 122
1SG-162012LR18	Page 31	3CSG-181814LR18	Page 52	ATS6-3630	Page 98	CRG-2436	Page 122
1SG-162012LR18	Page 33	3CSG-181814LR24	Page 52	ATS6-3630R5	Page 98	CRG-2448	Page 122
1SG-162012LR18	Page 32	3CSG-242414LR24	Page 52	ATS6-4824	Page 98	CRG-2460	Page 122
1SG-181812	Page 30	3SG-101410	Page 46	ATS6-4824R5	Page 98	CRG-2472	Page 122
1SG-181812LR18	Page 31	3SG-101410LR15	Page 48	ATS6-4830	Page 98	CRG-2484	Page 122
1SG-181812LR18	Page 33	3SG-101410LR15	Page 49	ATS6-4830R5	Page 98	CRG-2496	Page 122
1SG-181812LR18	Page 32	3SG-101410R15	Page 47	ATS6-6024	Page 98	CRG-3030	Page 122
1SG-182414	Page 30	3SG-122012LR12	Page 49	ATS6-6024R5	Page 98	CRG-3036	Page 122
1SG-182414LR24	Page 31	3SG-141612LR12	Page 49	ATS6-6030	Page 98	CRG-3048	Page 122
1SG-182414LR24	Page 33	3SG-151514	Page 46	ATS6-6030R5	Page 98	CRG-3060	Page 122
1SG-182414LR24	Page 32	3SG-151514LR15	Page 48	ATS6-7224	Page 98	CRG-3072	Page 122
1SG-202012	Page 30	3SG-151514LR15	Page 49	ATS6-7224R5	Page 98	CRG-3084	Page 122
1SG-242414	Page 30	3SG-151514R15	Page 47	ATS6-7230	Page 98	CRG-3096	Page 122
1SG-242414LR24	Page 31	3SG-151514R24	Page 47	ATS6-7230R5	Page 98	CRS-2424	Page 122
1SG-242414LR24	Page 33	3SG-162012	Page 46	BDD-1818	Page 74	CRS-2430	Page 122
1SG-242414LR24	Page 32	3SG-162012LR18	Page 48	BDD-1821	Page 74	CRS-2436	Page 122
1SS-162014	Page 26	3SG-162012LR18	Page 49	BDD-2424	Page 74	CRS-2448	Page 122
1SS-162014LR18	Page 27	3SG-162012R18	Page 47	BR-1	Page 121	CRS-2460	Page 122
1SS-162014LR18	Page 29	3SG-162014LR18	Page 49	BR-2	Page 121	CRS-2472	Page 122
1SS-162014R18	Page 28	3SG-181812	Page 46	BR-3	Page 121	CRS-2484	Page 122
1SS-181814	Page 26	3SG-181812LR18	Page 48	BW3-18	Page 165	CRS-2496	Page 122
1SS-181814LR18	Page 27	3SG-181812LR18	Page 49	BW4-21	Page 165	CRS-3030	Page 122
1SS-181814LR18	Page 29	3SG-181812R18	Page 47	CBBRG-30	Page 122	CRS-3036	Page 122
1SS-181814R18	Page 28	3SG-181814LR18	Page 49	CBBRG-36	Page 122	CRS-3048	Page 122
1SS-182414	Page 26	3SG-181814LR24	Page 49	CBBRG-48	Page 122	CRS-3060	Page 122
1SS-182414LR18	Page 27	3SG-182414LR24	Page 48	CBBRG-60	Page 122	CRS-3072	Page 122
1SS-182414LR24	Page 27	3SG-182414LR18	Page 49	CBBRG-72	Page 122	CRS-3084	Page 122
1SS-182414LR18	Page 29	3SG-182414LR24	Page 49	CBBRG-84	Page 122	CRS-3096	Page 122
1SS-182414LR24	Page 29	3SG-182414R24	Page 47	CBBRG-96	Page 122	CRS-3648	Page 122
1SS-182414R18	Page 28	3SG-202012LR18	Page 49	CBBRS-30	Page 122	CRS-3660	Page 122
1SS-182414R24	Page 28	3SG-202014LR24	Page 49	CBBRS-36	Page 122	CRS-3672	Page 122
1SS-242414	Page 26	3SG-203012LR20	Page 49	CBBRS-48	Page 122	DC-1536	Page 116
1SS-242414LR24	Page 27	3SG-203014LR24	Page 49	CBBRS-60	Page 122	DC-1548	Page 116
1SS-242414LR24	Page 29	3SG-242414	Page 46	CBBRS-72	Page 122	DC-1560	Page 116
1SS-242414LR24	Page 28	3SG-242414LR24	Page 48	CBBRS-84	Page 122	DC-1572	Page 116
2BSG-1818	Page 72	3SG-242414LR24	Page 49	CBBRS-96	Page 122	DC-1836	Page 116
2BSG-1821	Page 72	3SG-242414R24	Page 47	CBSRG-24	Page 122	DC-1848	Page 116
2BSG-2424	Page 72	3SS-143114LR18	Page 45	CBSRG-30	Page 122	DC-1860	Page 116
2SG-162012	Page 38	3SS-162014	Page 42	CBSRS-24	Page 122	DC-1872	Page 116
2SG-162012LR18	Page 40	3SS-162014LR18	Page 43	CBSRS-30	Page 122	DI-1-091106STD	Page 65
2SG-162012LR18	Page 41	3SS-162014LR18	Page 45	CDT-24L-16	Page 4	DI-1-091106TD	Page 65
2SG-162012LR18	Page 39	3SS-162014LR24	Page 45	CDT-24R-16	Page 5	DI-1-101405LR	Page 66
2SG-181812	Page 38	3SS-162014LR36	Page 45	CDT-26L	Page 6	DI-1-101410	Page 66
2SG-181812LR18	Page 40	3SS-162014R18	Page 44	CDT-26L-16	Page 4	DI-1-101410LR	Page 66
2SG-181812LR18	Page 41	3SS-181814	Page 42	CDT-26R	Page 7	DI-1-201608	Page 66
2SG-181812LR18	Page 39	3SS-181814LR18	Page 43	CDT-26R-16	Page 5	DI-1-201612	Page 66
2SG-202012LR18	Page 41	3SS-181814LR18	Page 45	CDT-36L	Page 6	DI-1-282012	Page 66
2SG-242414	Page 38	3SS-181814R18	Page 44	CDT-36L-16	Page 4	DI-2-101410	Page 67
2SG-242414LR24	Page 40	3SS-182414	Page 42	CDT-36R	Page 7	DI-2-141612	Page 67
2SG-242414LR24	Page 41	3SS-182414LR18	Page 43	CDT-36R-16	Page 5	DI-2-201612	Page 67
2SG-242414R24	Page 39	3SS-182414LR18	Page 45	CDT-48L	Page 6	DI-3-101410	Page 68
2SS-162014	Page 34	3SS-182414LR24	Page 45	CDT-48L-16	Page 4	DI-3-162012	Page 68
2SS-162014LR18	Page 35	3SS-182414R18	Page 44	CDT-48R	Page 7	DIB-1218	Page 147
2SS-162014LR18	Page 37	3SS-203014	Page 42	CDT-48R-16	Page 5	DIB-1821-WS	Page 150
2SS-162014R18	Page 36	3SS-203014LR18	Page 43	CDT-60L	Page 6	DIB-2118-WS	Page 149
2SS-181814	Page 34	3SS-203014LR20	Page 45	CDT-60L-16	Page 4	DIB-2-2118	Page 148
2SS-181814LR18	Page 35	3SS-203014LR24	Page 45	CDT-60R	Page 7	DIB-2218	Page 147
2SS-181814LR18	Page 37	3SS-203014LR30	Page 45	CDT-60R-16	Page 5	DIB-2818	Page 147
2SS-181814R18	Page 36	3SS-203014R18	Page 44	CDT-72L	Page 6	DIB-3418	Page 147
2SS-182414	Page 34	3SS-242414	Page 42	CDT-72L-16	Page 4	ES-5-PU-B	Page 120
2SS-182414LR18	Page 35	3SS-242414LR18	Page 43	CDT-72R	Page 7	ES-5-PU-B-TLB	Page 120
2SS-182414LR18	Page 37	3SS-242414LR24	Page 43	CDT-72R-16	Page 5	ESG-1530	Page 110
2SS-182414R18	Page 36	3SS-242414LR24	Page 45	CDT-96L-16	Page 4	ESG-1830	Page 110
2SS-242414	Page 34	3SS-242414R18	Page 44	CDT-96R-16	Page 5	ESG-2430	Page 110
2SS-242414LR24	Page 35	3SS-242414R24	Page 44	CMPR-36	Page 134	ESG-3630	Page 110
2SS-242414LR24	Page 37	3TP-5-PU-B	Page 120	CMPR-48	Page 134	ESG-4830	Page 110
2SS-242414R24	Page 36	3TP-5-PU-B-TLB	Page 120	CMPR-60	Page 134	ESG-6030	Page 110

MODEL NUMBER GLOSSARY

ESG-7230	Page 110	LC-S4	Page 121	PB-2424	Page 16	SCR-2424	Page 76
ESS-1530	Page 109	LC-S6	Page 121	PR1-4	Page 133	SD-1	Page 120
ESS-1830	Page 109	LD-1218	Page 158	PR1-5	Page 133	SDT-26L	Page 10
ESS-2430	Page 109	LD-1221	Page 158	PR1-6	Page 133	SDT-26L-16	Page 8
ESS-3630	Page 109	LD-1818	Page 158	PR1-8	Page 133	SDT-26R	Page 11
ESS-4830	Page 109	LD-1821	Page 158	PR2-3	Page 133	SDT-26R-16	Page 9
ESS-6030	Page 109	LD-2418	Page 158	PR2-4	Page 133	SDT3-202012L20	Page 15
ESS-7230	Page 109	LD-2421	Page 158	PR2-5	Page 133	SDT3-202012R20	Page 15
F-HF	Page 63	LD-3618	Page 158	PR2-6	Page 133	SDT-36L	Page 10
FT-G1224	Page 25	LD-3621	Page 158	PR2-8	Page 133	SDT-36L-16	Page 8
FT-G1236	Page 25	LDC-1821	Page 157	PS-1224	Page 130	SDT-36R	Page 11
FT-G1248	Page 25	LDC-2421	Page 157	PS-1236	Page 130	SDT-36R-16	Page 9
FT-G1260	Page 25	LDC-3021	Page 157	PS-1248	Page 130	SDT3C-202012L20	Page 14
FT-G1824	Page 25	LS-1	Page 120	PS-1260	Page 130	SDT3C-202012R20	Page 14
FT-G1836	Page 25	LS-G	Page 120	PS-1272	Page 130	SDT-48L	Page 10
FT-G1848	Page 25	LS-GP	Page 120	PSMS-1248D	Page 124	SDT-48L-16	Page 8
FT-G1860	Page 25	LSM-S	Page 120	PSMS-1248S	Page 123	SDT-48R	Page 11
FT-RG	Page 120	LS-S	Page 120	PSMS-1260D	Page 124	SDT-48R-16	Page 9
FT-RS	Page 120	LS-SP	Page 120	PSMS-1260S	Page 123	SDT-60L	Page 10
FT-RSF	Page 120	LT-G	Page 121	PSMS-1272D	Page 124	SDT-60L-16	Page 8
FT-RSFH	Page 120	LT-G4	Page 121	PSMS-1272S	Page 123	SDT-60R	Page 11
GRC24-2	Page 155	LT-S	Page 121	PSMS-1848D	Page 124	SDT-60R-16	Page 9
GRC24-3	Page 156	LT-S4	Page 121	PSMS-1848S	Page 123	SDT-72L	Page 10
HK1	Page 121	MAG-2	Page 78	PSMS-1860D	Page 124	SDT-72L-16	Page 8
HK2	Page 121	MHS-26	Page 63	PSMS-1860S	Page 123	SDT-72R	Page 11
HS1-D2-S	Page 53	MOP-162006	Page 21	PSMS-1872D	Page 124	SDT-72R-16	Page 9
HS1-W2-LR	Page 59	MOP-162012	Page 21	PSMS-1872S	Page 123	SKS-2020	Page 19
HS1-W2-LR-TD	Page 60	MOP-242406	Page 21	PT-1	Page 78	SLB-2020	Page 16
HS2-D1-KB	Page 54	MOP-242412	Page 21	PTG-1620L4	Page 101	SP-10	Page 78
HS2-D1-LR-KB	Page 54	MOP-282012	Page 21	PTG-1620L5	Page 101	SR-75	Page 78
HS2-D2-S	Page 55	MSC-2522	Page 23	PTG-1620L6	Page 101	SR-24D	Page 164
HS2-W1	Page 57	MSC-4822L	Page 24	PTG-1620R4	Page 102	SR-24S	Page 164
HS2-W1-KB	Page 56	MSC-4822R	Page 24	PTG-1620R5	Page 102	SR-30D	Page 164
HS2-W1-LR-KB	Page 56	MSF-S24L	Page 22	PTG-1620R6	Page 102	SR-30S	Page 164
HS2-W1-PD	Page 62	MSF-S24LR	Page 22	PTS-1620L4	Page 99	SR-36D	Page 164
HS2-W2	Page 58	MSF-S24R	Page 22	PTS-1620L5	Page 99	SR-48D	Page 164
HS2-W2-4-TD	Page 61	MSG-2424	Page 112	PTS-1620L6	Page 99	SR-48S	Page 164
HS2-W2-LR	Page 58	MSG-3024	Page 112	PTS-1620R4	Page 100	SSR-21	Page 17
HUSC-2025	Page 64	MSG-3030	Page 112	PTS-1620R5	Page 100	SSR-42	Page 17
IB-2418	Page 151	MSG-3630	Page 112	PTS-1620R6	Page 100	SSR-63	Page 17
IB-2421	Page 151	MSS-2424	Page 111	RSS-18	Page 77	STN-11B	Page 78
IB-3018	Page 151	MSS-3024	Page 111	RSS-20	Page 77	STN-11C	Page 78
IB-3021	Page 151	MSS-3030	Page 111	RSS-24	Page 77	STN-12B	Page 78
IB-3618	Page 151	MSS-3030UR	Page 113	RSS-30	Page 77	STN-12C	Page 78
IB-3621	Page 151	MSS-3630	Page 111	SB-111511-16	Page 70	STN-2	Page 78
IB-4818	Page 151	MWS-1824	Page 135	SB-141008-14	Page 69	STN-3	Page 78
IB-4821	Page 151	MWS-2024	Page 135	SB-161610-16	Page 70	STN-4B	Page 78
IBC-2418	Page 152	MWS-2030	Page 135	SB-161812-14	Page 69	SVS-2016	Page 20
IBC-3018	Page 152	MWS-2424	Page 135	SB-161812-16	Page 70	TB-18	Page 25
IBC-3021	Page 152	P3W8	Page 75	SB-161814-16	Page 70	TB-24	Page 25
IBC-2418C7	Page 152	P3W8-PU	Page 75	SB-162012-16	Page 70	TB-26	Page 25
IBC-2421C7	Page 152	P3W8S10	Page 75	SB-162014-14	Page 69	TCB-3624S	Page 104
IBC-3018C10	Page 153	P3W8S10-PU	Page 75	SB-181812-16	Page 70	TCB-3630R5S	Page 106
IBC-3018C7	Page 152	P3W8S12	Page 75	SB-182412-16	Page 70	TCB-3630S	Page 104
IBC-3021C10	Page 153	P3W8S12-PU	Page 75	SB-182414-14	Page 69	TCB-4824	Page 103
IBC-3021C7	Page 152	P3W8S12-PU*	Page 75	SB-182414-16	Page 70	TCB-4824R5	Page 105
IBC-3618C10	Page 153	P3W8S14	Page 75	SB-202008-14	Page 69	TCB-4824R5S	Page 106
IBC-3618C7	Page 152	P3W8S14-PU	Page 75	SB-202008-16	Page 70	TCB-4824S	Page 104
IBC-3621C10	Page 153	P3W8S16	Page 75	SB-202010-14	Page 69	TCB-4830	Page 103
IBC-3621C7	Page 152	P3W8S16-PU	Page 75	SB-202012-14	Page 69	TCB-4830R5	Page 105
IBC-4818C10	Page 153	P3W8S6	Page 75	SB-202012-16	Page 70	TCB-4830R5S	Page 106
IBC-4818C7	Page 152	P3W8S6-PU	Page 75	SB-202014-14	Page 69	TCB-4830S	Page 104
IBC-4821C10	Page 153	P3W8S8	Page 75	SB-202812-16	Page 70	TCB-6024	Page 103
IBC-4821C7	Page 152	P3W8S8-PU	Page 75	SB-242412-16	Page 70	TCB-6024R5	Page 105
IBM-2418	Page 154	P5LD1	Page 78	SB-242414-14	Page 69	TCB-6024R5S	Page 106
IBM-3018	Page 154	P5TD1	Page 78	SB-242414-16	Page 70	TCB-6024S	Page 104
IBM-3618	Page 154	PAN-2015	Page 119	SCR-1014H	Page 76	TCB-6030	Page 103
LC-G	Page 121	PAN-2020	Page 119	SCR-1620	Page 76	TCB-6030R5	Page 105
LC-G4	Page 121	PB-1824	Page 16	SCR-1818	Page 76	TCB-6030R5S	Page 106
LC-G6	Page 121	PB-2020	Page 16	SCR-1824	Page 76	TCB-6030S	Page 104
LC-S	Page 121	PB-2030	Page 16	SCR-2030	Page 76	TCB-7224	Page 103

MODEL NUMBER GLOSSARY

TCB-7224R5	Page 105	TG-6030	Page 82	TP-12	Page 25	TS-4830R5	Page 86
TCB-7224R5S	Page 106	TG-6030R	Page 85	TP-18	Page 25	TS-4830R5-X	Page 92
TCB-7224S	Page 104	TG-6030R5	Page 89	TP-24	Page 25	TS-4830R-X	Page 91
TCB-7230	Page 103	TG-6030R5-X	Page 97	TP-36	Page 25	TS-4830-X	Page 90
TCB-7230R5	Page 105	TG-6030R-X	Page 96	TP-48	Page 25	TS-6018	Page 79
TCB-7230R5S	Page 106	TG-6030-X	Page 95	TP-60	Page 25	TS-6018R	Page 83
TCB-7230S	Page 104	TG-7218	Page 82	TP-72	Page 25	TS-6024	Page 79
TCBC-3624R5	Page 114	TG-7218R	Page 85	TS-2418	Page 79	TS-6024R	Page 83
TCBC-3624R5-1410	Page 115	TG-7224	Page 82	TS-2418R	Page 83	TS-6024R5	Page 86
TCBC-4830R5	Page 114	TG-7224R	Page 85	TS-2424	Page 79	TS-6024R5-X	Page 92
TDR-1820	Page 119	TG-7224R5	Page 89	TS-2424R	Page 83	TS-6024R-X	Page 91
TDR-1820L	Page 119	TG-7224R5-X	Page 97	TS-2424R5	Page 86	TS-6024-X	Page 90
TDR-2015	Page 119	TG-7224R-X	Page 96	TS-2424R5-X	Page 92	TS-6030	Page 79
TDR-2015L	Page 119	TG-7224-X	Page 95	TS-2424R-X	Page 91	TS-6030R	Page 83
TDR-2020	Page 119	TG-7230	Page 82	TS-2424-X	Page 90	TS-6030R5	Page 86
TDR-2020L	Page 119	TG-7230R	Page 85	TS-3018	Page 79	TS-6030R5-X	Page 92
TDU-26	Page 63	TG-7230R5	Page 89	TS-3018R	Page 83	TS-6030R-X	Page 91
TG-2424	Page 82	TG-7230R5-X	Page 97	TS-3024	Page 79	TS-6030-X	Page 90
TG-2424R	Page 85	TG-7230R-X	Page 96	TS-3024R	Page 83	TS6-2424	Page 80
TG-2424R5	Page 89	TG-7230-X	Page 95	TS-3024R5	Page 86	TS6-2424R5	Page 87
TG-2424R5-X	Page 97	TG-8424	Page 82	TS-3024R5-X	Page 92	TS6-2424R5-X	Page 94
TG-2424R-X	Page 96	TG-8424R	Page 85	TS-3024R-X	Page 91	TS6-2424-X	Page 93
TG-2424-X	Page 95	TG-8424R5	Page 89	TS-3024-X	Page 90	TS6-3024	Page 80
TG-3024	Page 82	TG-8424R5-X	Page 97	TS-3030	Page 79	TS6-3024R5	Page 87
TG-3024R	Page 85	TG-8424R-X	Page 96	TS-3030R	Page 83	TS6-3024R5-X	Page 94
TG-3024R5	Page 89	TG-8424-X	Page 95	TS-3030R5	Page 86	TS6-3024-X	Page 93
TG-3024R5-X	Page 97	TG-8430	Page 82	TS-3030R5-X	Page 92	TS6-3030	Page 80
TG-3024R-X	Page 96	TG-8430R	Page 85	TS-3030R-X	Page 91	TS6-3030R5	Page 87
TG-3024-X	Page 95	TG-8430R5	Page 89	TS-3030-X	Page 90	TS6-3030R5-X	Page 94
TG-3030	Page 82	TG-8430R5-X	Page 97	TS-3618	Page 79	TS6-3030-X	Page 93
TG-3030R	Page 85	TG-8430R-X	Page 96	TS-3618R	Page 83	TS6-3624	Page 80
TG-3030R5	Page 89	TG-8430-X	Page 95	TS-3624	Page 79	TS6-3624R5	Page 87
TG-3030R5-X	Page 97	TG-9618	Page 82	TS-3624R	Page 83	TS6-3624R5-X	Page 94
TG-3030R-X	Page 96	TG-9618R	Page 85	TS-3624R5	Page 86	TS6-3624-X	Page 93
TG-3618	Page 82	TG-9624	Page 82	TS-3624R5-X	Page 92	TS6-3630	Page 80
TG-3618R	Page 85	TG-9624R	Page 85	TS-3624R-X	Page 91	TS6-3630R5	Page 87
TG-3624	Page 82	TG-9624R5	Page 89	TS-3624-X	Page 90	TS6-3630R5-X	Page 94
TG-3624R	Page 85	TG-9624R5-X	Page 97	TS-3630	Page 79	TS6-3630-X	Page 93
TG-3624R5	Page 89	TG-9624R-X	Page 96	TS-3630R	Page 83	TS6-4824	Page 80
TG-3624R5-X	Page 97	TG-9624-X	Page 95	TS-3630R5	Page 86	TS6-4824R5	Page 87
TG-3624R-X	Page 96	TG-9630	Page 82	TS-3630R5-X	Page 92	TS6-4824R5-X	Page 94
TG-3624-X	Page 95	TG-9630R	Page 85	TS-3630R-X	Page 91	TS6-4824-X	Page 93
TG-3630	Page 82	TG-9630R5	Page 89	TS-3630-X	Page 90	TS6-4830	Page 80
TG-3630R	Page 85	TG-9630R5-X	Page 97	TS4-4836	Page 81	TS6-4830R5	Page 87
TG-3630R5	Page 89	TG-9630R-X	Page 96	TS4-4836R	Page 84	TS6-4830R5-X	Page 94
TG-3630R5-X	Page 97	TG-9630-X	Page 95	TS4-4836R5	Page 88	TS6-4830-X	Page 93
TG-3630R-X	Page 96	TG-F1524	Page 108	TS4-4836R5-X	Page 88	TS6-6024	Page 80
TG-3630-X	Page 95	TG-F1530	Page 108	TS4-4836R-X	Page 84	TS6-6024R5	Page 87
TG-4818	Page 82	TG-F1824	Page 108	TS4-4836-X	Page 81	TS6-6024R5-X	Page 94
TG-4818R	Page 85	TG-F1830	Page 108	TS4-6036	Page 81	TS6-6024-X	Page 93
TG-4824	Page 82	TG-F2430	Page 108	TS4-6036R	Page 84	TS6-6030	Page 80
TG-4824R	Page 85	TMS-1236D	Page 126	TS4-6036R5	Page 88	TS6-6030R5	Page 87
TG-4824R5	Page 89	TMS-1236S	Page 125	TS4-6036R5-X	Page 88	TS6-6030R5-X	Page 94
TG-4824R5-X	Page 97	TMS-1248D	Page 126	TS4-6036R-X	Page 84	TS6-6030-X	Page 93
TG-4824R-X	Page 96	TMS-1248S	Page 125	TS4-6036-X	Page 81	TS6-7224	Page 80
TG-4824-X	Page 95	TMS-1260D	Page 126	TS4-7236	Page 81	TS6-7224R5	Page 87
TG-4830	Page 82	TMS-1260S	Page 125	TS4-7236R	Page 84	TS6-7224R5-X	Page 94
TG-4830R	Page 85	TMS-1272D	Page 126	TS4-7236R5	Page 88	TS6-7224-X	Page 93
TG-4830R5	Page 89	TMS-1272S	Page 125	TS4-7236R5-X	Page 88	TS6-7230	Page 80
TG-4830R5-X	Page 97	TMS-1296D	Page 126	TS4-7236R-X	Page 84	TS6-7230R5	Page 87
TG-4830R-X	Page 96	TMS-1296S	Page 125	TS4-7236-X	Page 81	TS6-7230R5-X	Page 94
TG-4830-X	Page 95	TMS-1836D	Page 126	TS-4818	Page 79	TS6-7230-X	Page 93
TG-6018	Page 82	TMS-1836S	Page 125	TS-4818R	Page 83	TS6-8424	Page 80
TG-6018R	Page 85	TMS-1848D	Page 126	TS-4824	Page 79	TS6-8424R5	Page 87
TG-6024	Page 82	TMS-1848S	Page 125	TS-4824R	Page 83	TS6-8424R5-X	Page 94
TG-6024R	Page 85	TMS-1860D	Page 126	TS-4824R5	Page 86	TS6-8424-X	Page 93
TG-6024R5	Page 89	TMS-1860S	Page 125	TS-4824R5-X	Page 92	TS6-8430	Page 80
TG-6024R5-X	Page 97	TMS-1872D	Page 126	TS-4824R-X	Page 91	TS6-8430R5	Page 87
TG-6024R-X	Page 96	TMS-1872S	Page 125	TS-4824-X	Page 90	TS6-8430R5-X	Page 94
TG-6024-X	Page 95	TMS-1896D	Page 126	TS-4830	Page 79	TS6-8430-X	Page 93
		TMS-1896S	Page 125	TS-4830R	Page 83	TS6-9624	Page 80

MODEL NUMBER GLOSSARY

TS6-9624R5	Page 87	TSS-63	Page 18	UW-3-101410-60LR	Page 142
TS6-9624R5-X	Page 94	UD-1-1014-1221V	Page 136	UW-3-101410-60R	Page 141
TS6-9624-X	Page 93	UD-1-1014-1421V	Page 136	UW-3-101410-72LR	Page 142
TS6-9630	Page 80	UD-2-101410-24	Page 143	UW-3-101410-84LR	Page 142
TS6-9630R5	Page 87	UD-2-101410-36L	Page 144	UW-3-101410-96LR	Page 142
TS6-9630R5-X	Page 94	UD-2-101410-36R	Page 145	UW-4-101410-48	Page 139
TS6-9630-X	Page 93	UD-2-101410-48L	Page 144	UW-4-101410-72LR	Page 142
TS-7218	Page 79	UD-2-101410-48LR	Page 146	UW-4-101410-84LR	Page 142
TS-7218R	Page 83	UD-2-101410-48R	Page 145	UW-4-101410-96LR	Page 142
TS-7224	Page 79	UD-3-101410-36	Page 143	WCH-1524	Page 118
TS-7224R	Page 83	UD-3-101410-48L	Page 144	WCH-1530	Page 118
TS-7224R5	Page 86	UD-3-101410-48R	Page 145	WCH-1536	Page 118
TS-7224R5-X	Page 92	UD-3-101410-60L	Page 144	WCH-1548	Page 118
TS-7224R-X	Page 91	UD-3-101410-60LR	Page 146	WCO-1524	Page 117
TS-7224-X	Page 90	UD-3-101410-60R	Page 145	WCO-1530	Page 117
TS-7230	Page 79	UD-3-101410-72LR	Page 146	WCO-1536	Page 117
TS-7230R	Page 83	UD-3-101410-84LR	Page 146	WCO-1548	Page 117
TS-7230R5	Page 86	UD-3-101410-96LR	Page 146	WS-1224	Page 127
TS-7230R5-X	Page 92	UD-4-101410-48	Page 143	WS-1224E	Page 128
TS-7230R-X	Page 91	UD-4-101410-72LR	Page 146	WS-1230	Page 127
TS-7230-X	Page 90	UD-4-101410-84LR	Page 146	WS-1236	Page 127
TS-8418	Page 79	UD-4-101410-96LR	Page 146	WS-1236E	Page 128
TS-8418R	Page 83	UDB-1218	Page 163	WS-1248	Page 127
TS-8424	Page 79	UDB-1221	Page 163	WS-1248E	Page 128
TS-8424R	Page 83	UDB-1818	Page 163	WS-1260	Page 127
TS-8424R5	Page 86	UDB-1821	Page 163	WS-1260E	Page 128
TS-8424R5-X	Page 92	UDB-2418	Page 163	WS-1272	Page 127
TS-8424R-X	Page 91	UDB-2421	Page 163	WS-1272E	Page 128
TS-8424-X	Page 90	UDB-3018	Page 163	WS-1284	Page 127
TS-8430	Page 79	UDB-3021	Page 163	WS-1284E	Page 128
TS-8430R	Page 83	UDB-3618	Page 163	WS-1296	Page 127
TS-8430R5	Page 86	UDB-3621	Page 163	WS-1296E	Page 128
TS-8430R5-X	Page 92	UDB-4818	Page 163	WS-1624	Page 127
TS-8430R-X	Page 91	UDB-4821	Page 163	WS-1624E	Page 128
TS-8430-X	Page 90	UDT-50L	Page 12	WS-1630	Page 127
TS-9618	Page 79	UDT-50R	Page 13	WS-1636	Page 127
TS-9618R	Page 83	UDT-60L	Page 12	WS-1636E	Page 128
TS-9624	Page 79	UDT-60R	Page 13	WS-1648	Page 127
TS-9624R	Page 83	UMRDS-1424	Page 161	WS-1648E	Page 128
TS-9624R5	Page 86	UMRS-1224	Page 162	WS-1660	Page 127
TS-9624R5-X	Page 92	UW-1-1012-1218-TDV	Page 138	WS-1660E	Page 128
TS-9624R-X	Page 91	UW-1-1012-1221-TDV	Page 138	WS-1672	Page 127
TS-9624-X	Page 90	UW-1-1012-1518-TDV	Page 138	WS-1672E	Page 128
TS-9630	Page 79	UW-1-1012-1521-TDV	Page 138	WS-1684	Page 127
TS-9630R	Page 83	UW-1-1014-1218V	Page 137	WS-1684E	Page 128
TS-9630R5	Page 86	UW-1-1014-1418V	Page 137	WS-1696	Page 127
TS-9630R5-X	Page 92	UW-1-1014-2418-RH	Page 160	WS-1696E	Page 128
TS-9630R-X	Page 91	UW-1-1410-1818-H	Page 159	WS-16LS	Page 132
TS-9630-X	Page 90	UW-1-1410-1821-H	Page 159	WS-16LSR	Page 131
TS-F1236	Page 107	UW-2-101410-24	Page 139	WS-18LS	Page 132
TS-F1524	Page 107	UW-2-101410-36L	Page 140	WS-18LSR	Page 131
TS-F1530	Page 107	UW-2-101410-36R	Page 141	WS-24LS	Page 132
TS-F1536	Page 107	UW-2-101410-48L	Page 140	WS-24LSR	Page 131
TS-F1824	Page 107	UW-2-101410-48LR	Page 142	WS-36LS	Page 132
TS-F1830	Page 107	UW-2-101410-48R	Page 141	WS-36LSR	Page 131
TS-F1836	Page 107	UW-3-101410-36	Page 139	WS-48LS	Page 132
TS-F2430	Page 107	UW-3-101410-48L	Page 140	WS-48LSR	Page 131
TSS-22	Page 18	UW-3-101410-48R	Page 141	WS-US	Page 129
TSS-42	Page 18	UW-3-101410-60L	Page 140		

Customer Service Inquiries & Freight Quote Requests:

csr@nbrequipment.com

Quotes/Sales Inquiries:

sales@nbrequipment.com

(609) 642 - 8389 | SALES@NBREQUIPMENT.COM | WWW.NBREQUIPMENT.COM

NBR EQUIPMENT, 10 ABEEL ROAD, CRANBURY, NJ 08512



Headquartered in Central New Jersey, NBR Equipment is your trusted and reliable source for quality commercial foodservice equipment. We welcome all dealers/distributors to visit our stocked warehouse facility to learn more about our vast product base!

Customer Service Contacts:
(609) 642-8389 ext. 109
csr@nbrequipment.com

Follow us on **LinkedIn, Facebook, YouTube, and Instagram** to stay up to date on our latest products and all things food service!

Just search for ***NBR Equipment***

(609) 642 - 8389 | SALES@NBREQUIPMENT.COM | WWW.NBREQUIPMENT.COM
NBR EQUIPMENT, 10 ABEEL ROAD, CRANBURY, NJ 08512